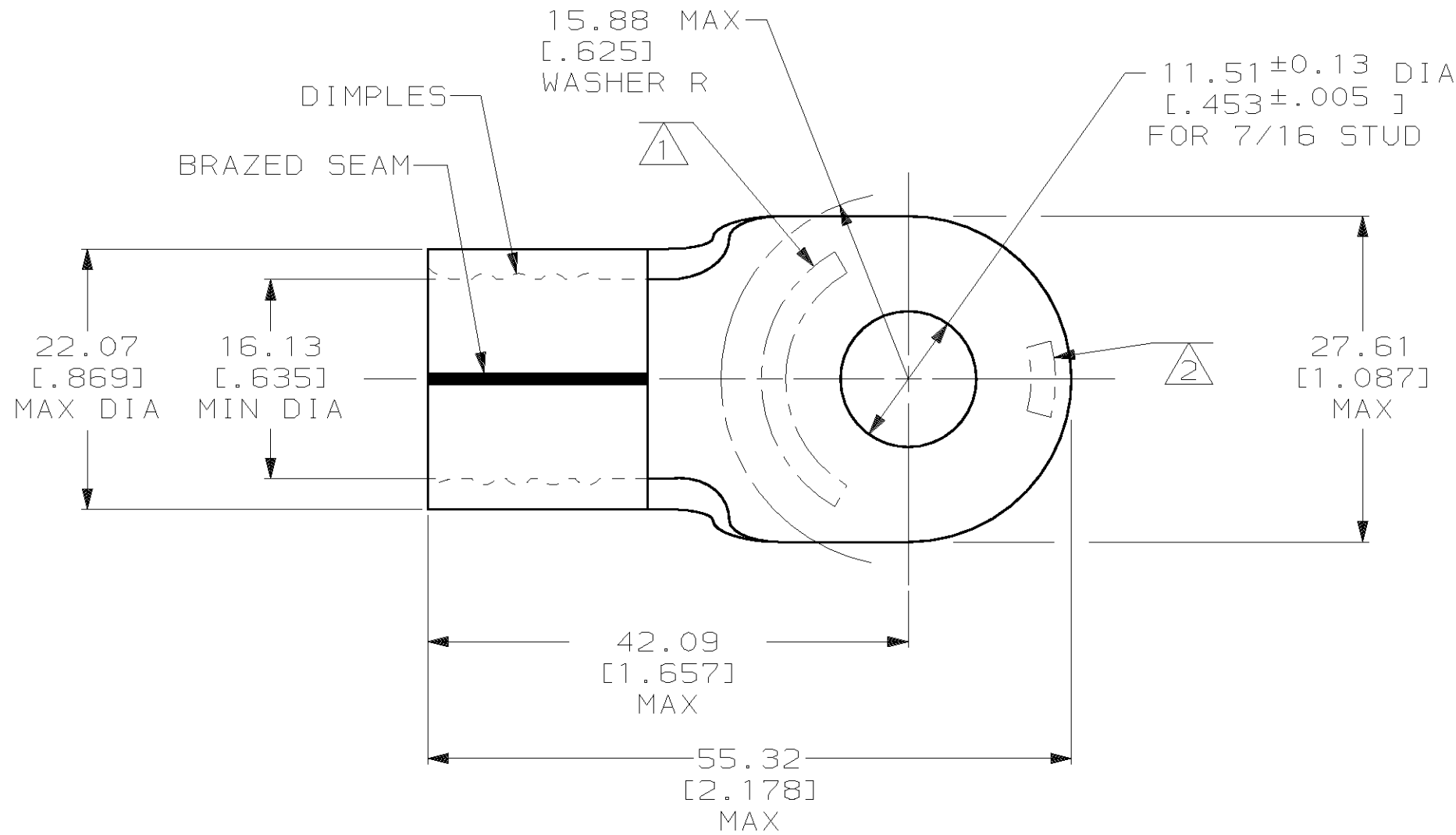


THIS DRAWING IS UNPUBLISHED. RELEASED FOR PUBLICATION, 19 .  
 © COPYRIGHT 19 BY AMP INCORPORATED. ALL INTERNATIONAL RIGHTS RESERVED.

LOC	DIST	P	F	ZONE	LTR	DESCRIPTION	DATE	APPD
G	14				E	REV / 0G10-0049-99	06APR99	MLE MS



<b>AMP WIRE RANGE</b>	<b>UL E13288 Listed</b>
4/0 AWG SOLID OR STRANDED	4/0 AWG SOLID OR STRANDED
<b>SIR LR7189 Certified</b>	<b>MILITARY P/N AND CLASS</b>
4/0 AWG SOLID OR STRANDED	MS 20659-158 CLASS 2

- ① STAMP AMP 4/0W\* APPROX AS SHOWN
- ② STAMP AMP 200 APPROX AS SHOWN
- 3 MATERIAL THK: 2.59 ± 0.08 [.102 ± .003]

**AMP INCORPORATED  
 CUSTOMER SERVICE SYSTEMS**

FOR ADDITIONAL PRODUCT INFORMATION OR COPIES OF DRAWINGS AND TECHNICAL DOCUMENTS  
 PRODUCT INFORMATION CENTER  
 1-800-522-6752

FOR APPLICATION TOOLING INFORMATION  
 TOOLING ASSISTANCE CENTER  
 1-800-722-1111

FOR ORDER ENTRY  
 1-800-526-5142

MAX RECOMMENDED OPERATING TEMPERATURE:  
 170°C MAX

VOLTAGE RATING:  
 NOT APPLICABLE

WIRE CROSS SECTIONAL AREA RANGE:  
 96.3-117.0mm<sup>2</sup> [190,000-231,100] CIR MILS  
 SOLID OR STRANDED

THIS DRAWING IS A CONTROLLED DOCUMENT FOR AMP INCORPORATED. IT IS SUBJECT TO CHANGE AND THE CONTROLLING ENGINEERING ORGANIZATION SHOULD BE CONTACTED FOR THE LATEST REVISION.

DO NOT SCALE PRINT. UNLESS SPECIFIED DIMENSIONS IN mm [INCHES] TOLERANCES ON:  
 2 PLC DEC ± 0.20[.008]  
 3 PLC DEC ± -  
 ANGLES ± -

MATERIAL  
 COPPER PER ASTM B-152 ANNEALED

FINISH  
 TIN PLATE  
 0.00254[.000100] MIN THK PER ASTM B 545

DR	22MAY96
CHK	DK SCHRUM
APPD	01JUL96
APPD	DM SWARTZ
APPD	01JUL96
APPD	CH KULYNYCH
APPD	01JUL96
APPD	JL MECKLEY
PRODUCT SPEC	-
APPLICATION SPEC	-
WEIGHT	-

<b>AMP</b> AMP Incorporated Harrisburg, PA 17105-3608		
NAME TERMINAL, RING TONGUE, SOLISTRAND™		
SIZE B	CAGE CODE 00779	DRAWING NO C-321879
SCALE 2:1	SHEET 1 OF 1	

321879  
 PART NO