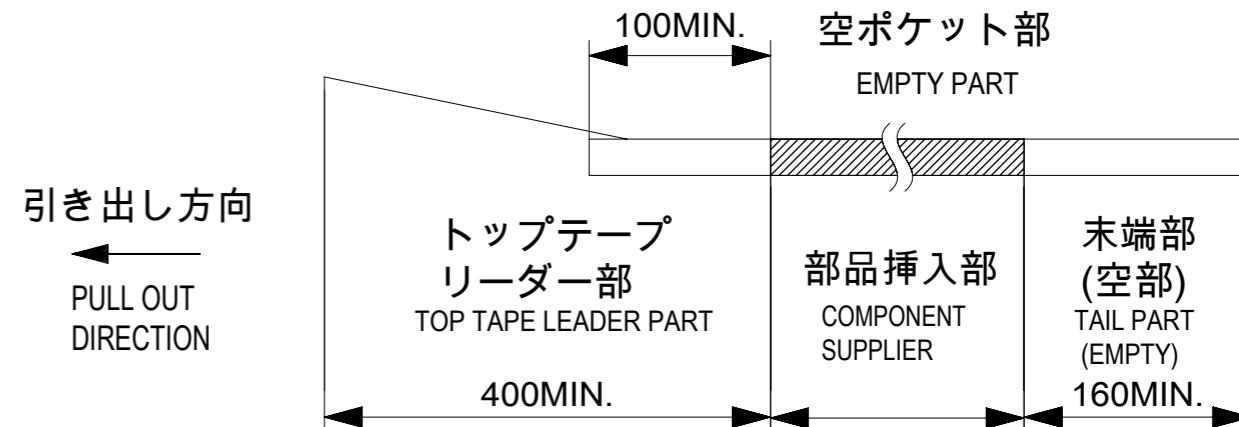


NOTES

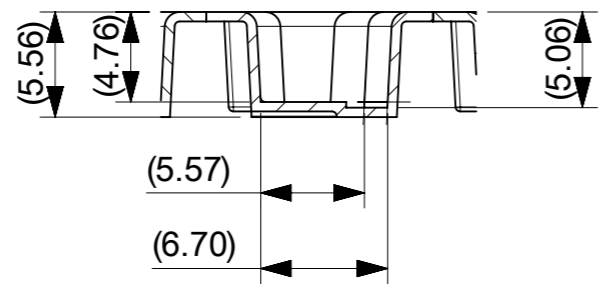
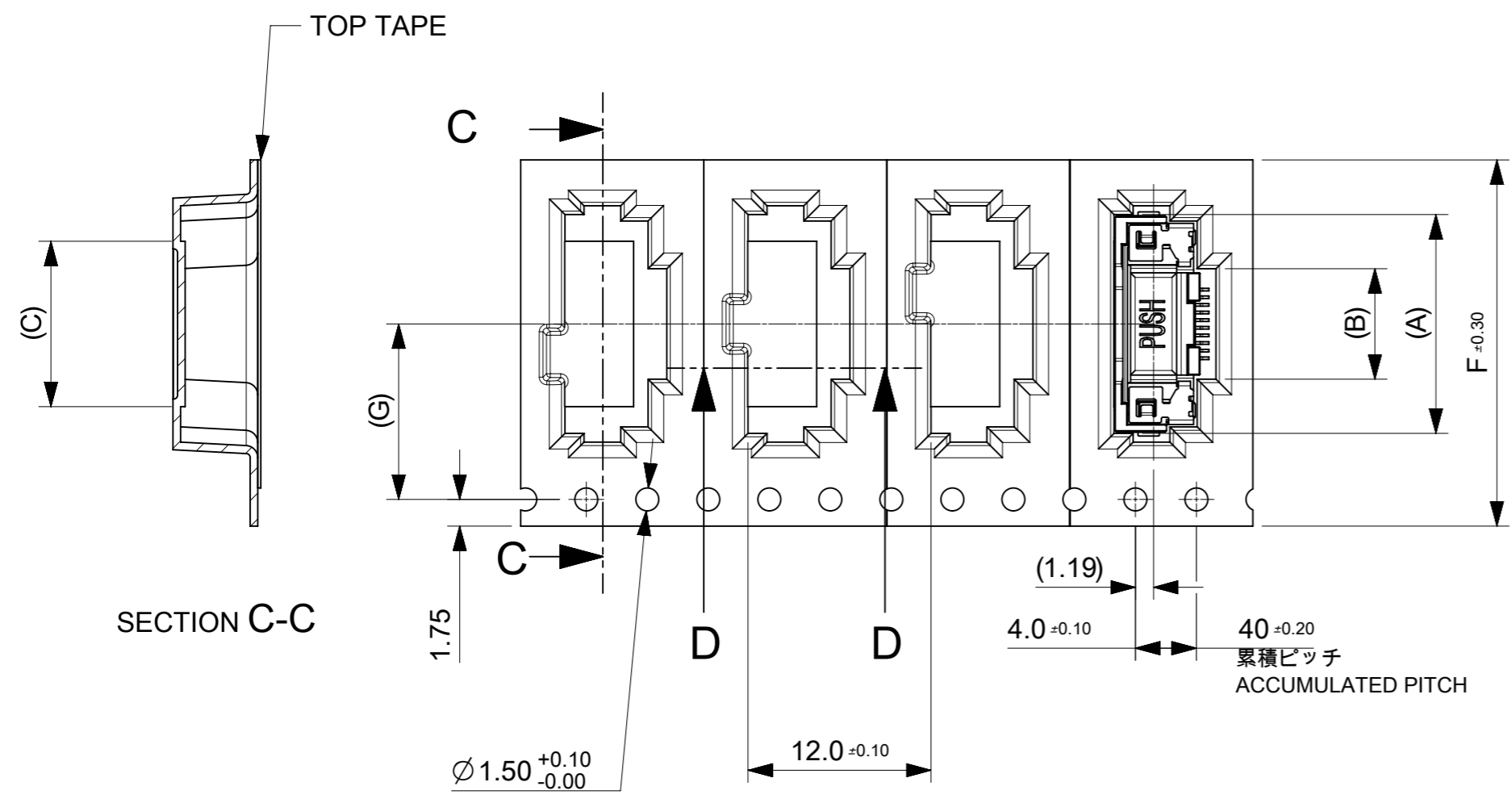
- 梱包数量 : 1500個 / リール
NUMBER OF CONNECTORS : 1500 PCS/REEL.
- リードテープ長さ
LEAD TAPE LENGTH



- カバーテープの剥離強度については、IEC60286-3に準拠。
TOP TAPE PEEL FORCE IS DEFINED BY IEC 60286-3.
- 製品詳細寸法については、図面 2004851000を参照下さい。
FOR DIMENSIONS OF PRODUCT, REFER TO 2004851000
- 材料 MATERIAL
キャリアテープ : ポリスチレン
CARRIER TAPE : POLYSTYRENE
トップテープ : ポリエチレンテレフタレート、ポリエチレン
TOP TAPE : POLYETHYLENE TEREPHTHALATE, POLYETHYLENE
リール : ポリスチレン<リサイクル材を含む>
REEL: POLYSTYRENE RECYCLED MATERIAL CONTAINED
- ELV及びRoHS適合品 ELV AND RoHS COMPLIANT.

THIS DRAWING CONTAINS INFORMATION THAT IS PROPRIETARY TO MOLEX ELECTRONIC TECHNOLOGIES, LLC AND SHOULD NOT BE USED WITHOUT WRITTEN PERMISSION		CURRENT REV DESC:		molex	
DIMENSION UNITS	SCALE				
mm	NTS			EMB PKG ONE-TOUCH RA HT	
GENERAL TOLERANCES (UNLESS SPECIFIED)				PRODUCT CUSTOMER DRAWING	
ANGULAR TOL	± 1.0 °			DOCUMENT NUMBER	
4 PLACES	± 0.1	EC NO: 648126		2004850000	
3 PLACES	± 0.1	DRWN: TYAMANE 2020/10/14		DOC TYPE	
2 PLACES	± 0.1	CHK'D: YMATSUMOTO 2020/10/30		PSD	
1 PLACE	± 0.1	APPR: SHOSHIKAWA 2020/11/02		DOC PART	
0 PLACES	± 0.1	INITIAL REVISION:		000	
DRAFT WHERE APPLICABLE MUST REMAIN WITHIN DIMENSIONS		DRWN: TYAMANE 2018/10/03		REVISION	
THIRD ANGLE PROJECTION		APPR: SHOSHIKAWA 2020/06/08		B	
DRAWING		SERIES		SHEET NUMBER	
A3-SIZE		200485		1 OF 3	
MATERIAL NUMBER		CUSTOMER			
SEE TABLE		GENERAL			

引き出し方向
PULL OUT
DIRECTION



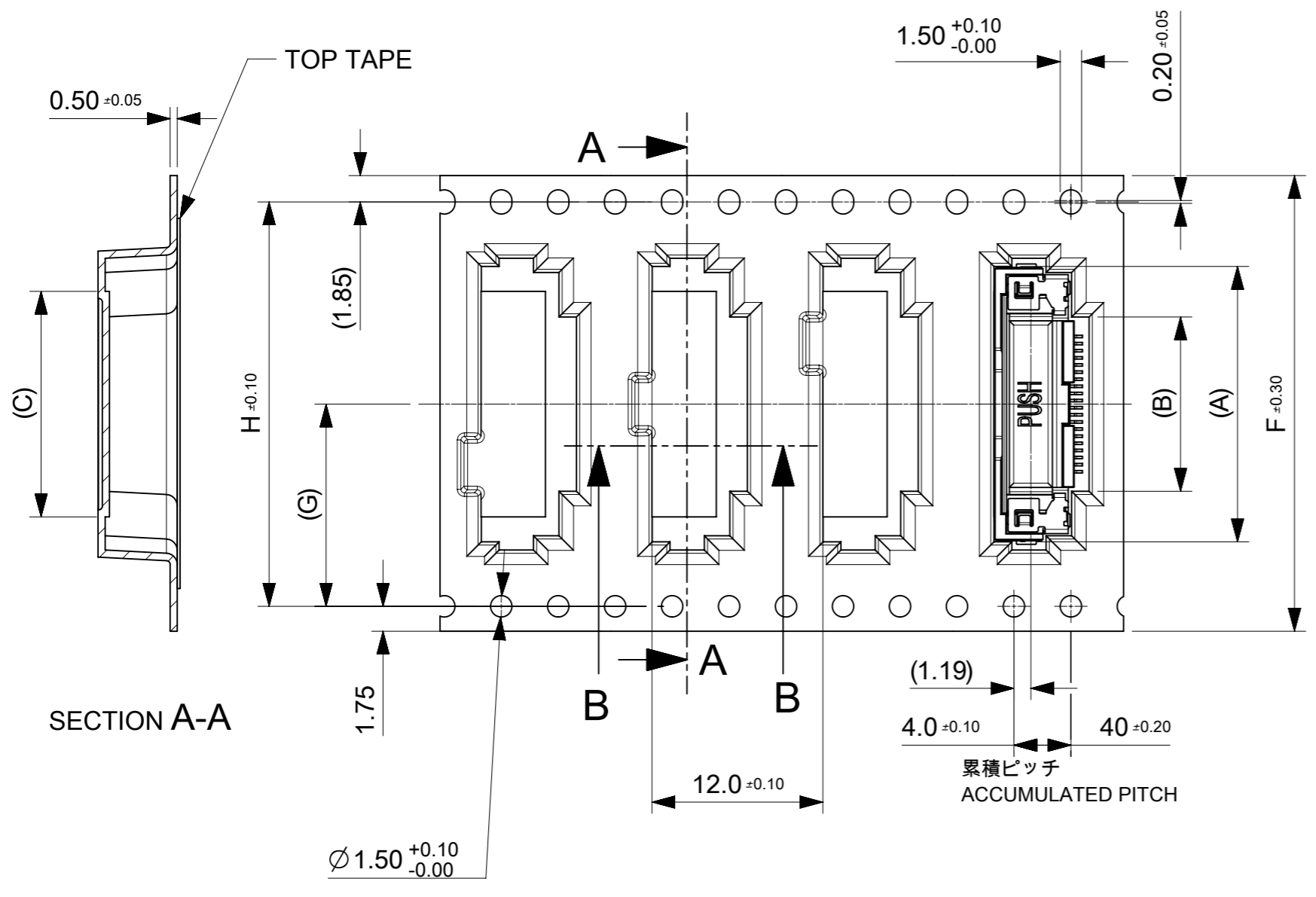
SECTION D-D

11.5	24	29.4	25.4	10.84	7.04	14.34	2004850010	10
G	F	E	D	C	B	A	EMBOSSED PACKAGE	Ckt
							オーダー番号 ORDER NO.	

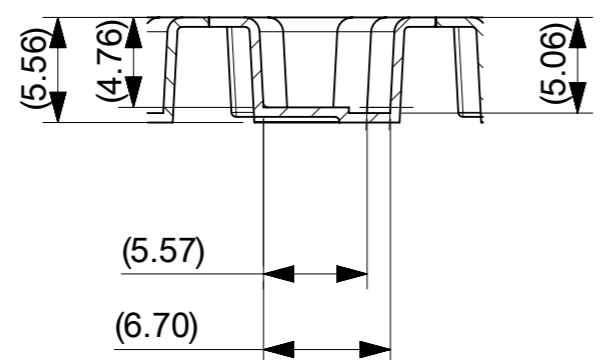
THIS DRAWING CONTAINS INFORMATION THAT IS PROPRIETARY TO MOLEX ELECTRONIC TECHNOLOGIES, LLC AND SHOULD NOT BE USED WITHOUT WRITTEN PERMISSION									
DIMENSION UNITS mm		SCALE NTS		CURRENT REV DESC:				molex	
GENERAL TOLERANCES (UNLESS SPECIFIED)		ANGULAR TOL ± 1.0 °		EC NO: 648126					
4 PLACES ± 0.1		3 PLACES ± 0.1		DRWN: TYAMANE		2020/10/14		EMB PKG ONE-TOUCH RA HT	
2 PLACES ± 0.1		1 PLACE ± 0.1		CHK'D: YMATSUMOTO		2020/10/30		PRODUCT CUSTOMER DRAWING	
0 PLACES ± 0.1		INITIAL REVISION:		APPR: SHOSHIKAWA		2020/11/02		DOCUMENT NUMBER	
DRAFT WHERE APPLICABLE MUST REMAIN WITHIN DIMENSIONS		THIRD ANGLE PROJECTION		DRAWING		SERIES		MATERIAL NUMBER	
		A3-SIZE		200485		2018/10/03		2004850000	
						CUSTOMER		GENERAL	
								SHEET NUMBER	
								2 OF 3	

CONNECTOR NO. 20048510**

引き出し方向
PULL OUT
DIRECTION



SECTION A-A



SECTION B-B

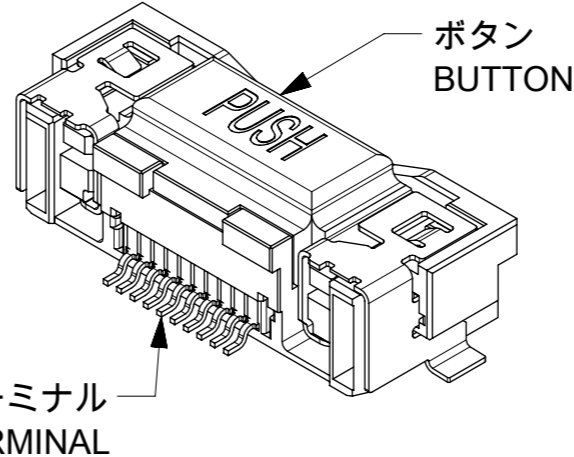
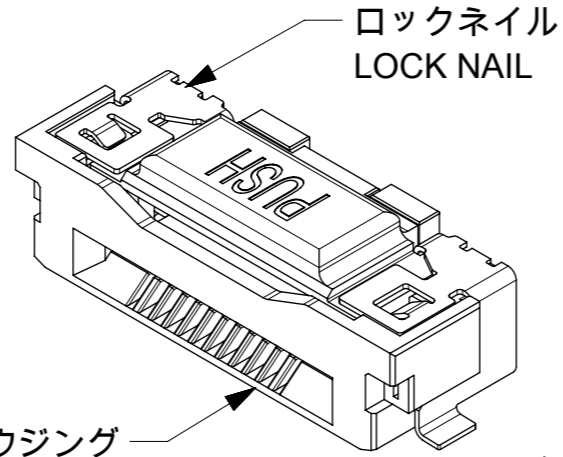
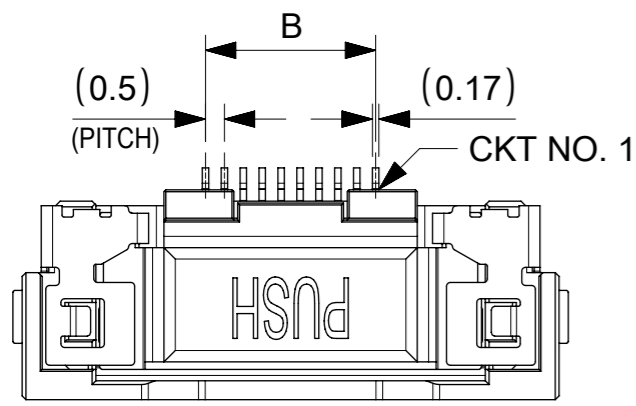
累積ピッチ
ACCUMULATED PITCH

68.4	34.2	72	78.1	73.5	45.84	42.04	49.34	2004850080	80
					40.84	37.04	44.34	2004850070	70
52.4	26.2	56	61.4	75.4	35.84	32.04	39.34	2004850060	60
					31.34	27.54	34.84	2004850051	51
					30.84	27.04	34.34	2004850050	50
40.4	20.2	44	49.4	45.4	25.84	22.04	29.34	2004850040	40
					23.34	19.54	26.84	2004850035	35
					20.84	17.04	24.34	2004850030	30
28.4	14.2	32	37.4	33.4	15.84	12.04	19.34	2004850020	20
H	G	F	E	D	C	B	A	EMBOSSED PACKAGE	Ckt
								オーダー番号 ORDER NO.	

THIS DRAWING CONTAINS INFORMATION THAT IS PROPRIETARY TO MOLEX ELECTRONIC TECHNOLOGIES, LLC AND SHOULD NOT BE USED WITHOUT WRITTEN PERMISSION

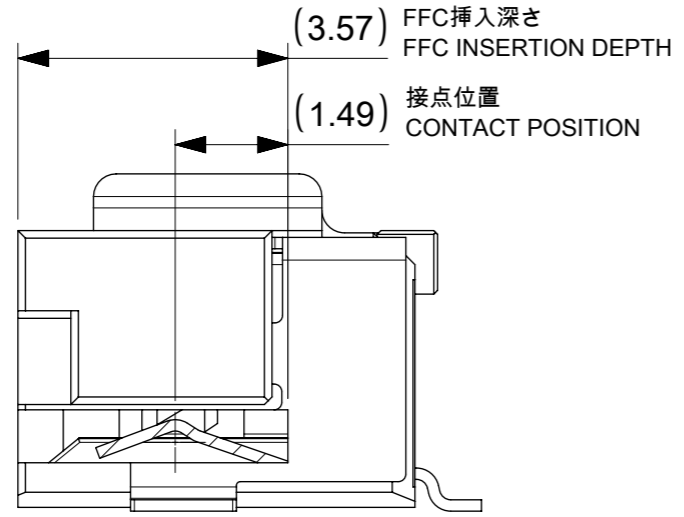
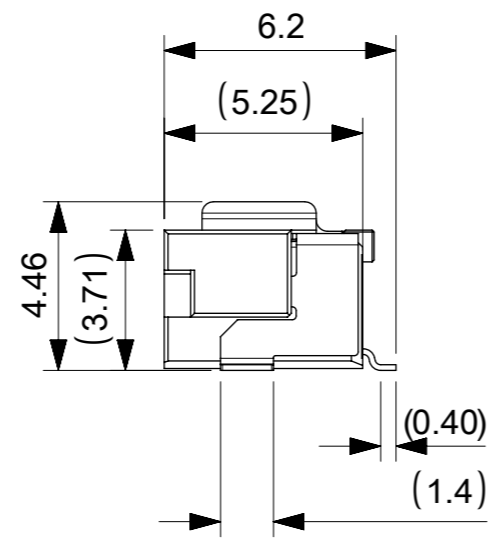
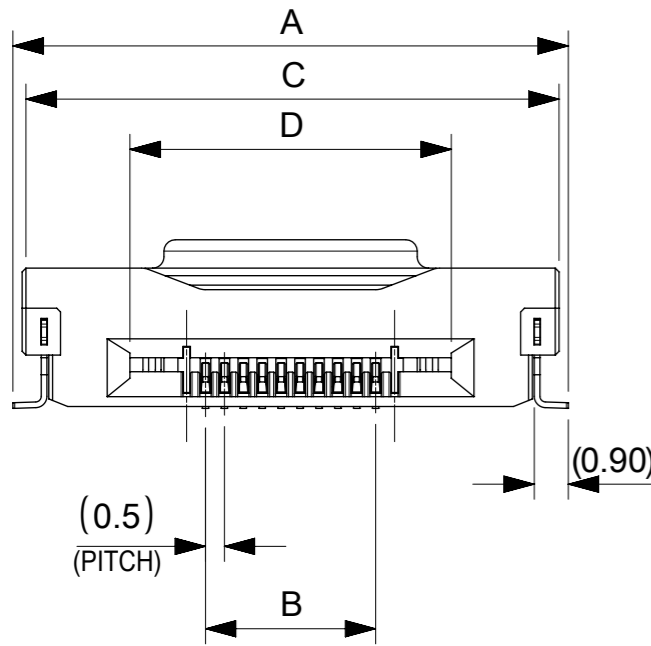
DIMENSION UNITS	SCALE	CURRENT REV DESC:		molex	
mm	NTS				
GENERAL TOLERANCES (UNLESS SPECIFIED)				EMB PKG ONE-TOUCH RA HT	
ANGULAR TOL	± 1.0°			PRODUCT CUSTOMER DRAWING	
4 PLACES	± 0.1	EC NO: 648126	2020/10/14	DOCUMENT NUMBER	DOC TYPE DOC PART REVISION
3 PLACES	± 0.1	DRWN: TYAMANE	2020/10/30	2004850000	PSD 000 B
2 PLACES	± 0.1	CHK'D: YMATSUMOTO	2020/11/02		
1 PLACE	± 0.1	APPR: SHOSHIKAWA		MATERIAL NUMBER CUSTOMER	
0 PLACES	± 0.1	INITIAL REVISION:	2018/10/03	SEE TABLE GENERAL	
DRAFT WHERE APPLICABLE MUST REMAIN WITHIN DIMENSIONS		THIRD ANGLE PROJECTION	DRAWING	SERIES	SHEET NUMBER
			A3-SIZE	200485	3 OF 3

CONNECTOR NO. 20048510**



NOTES:

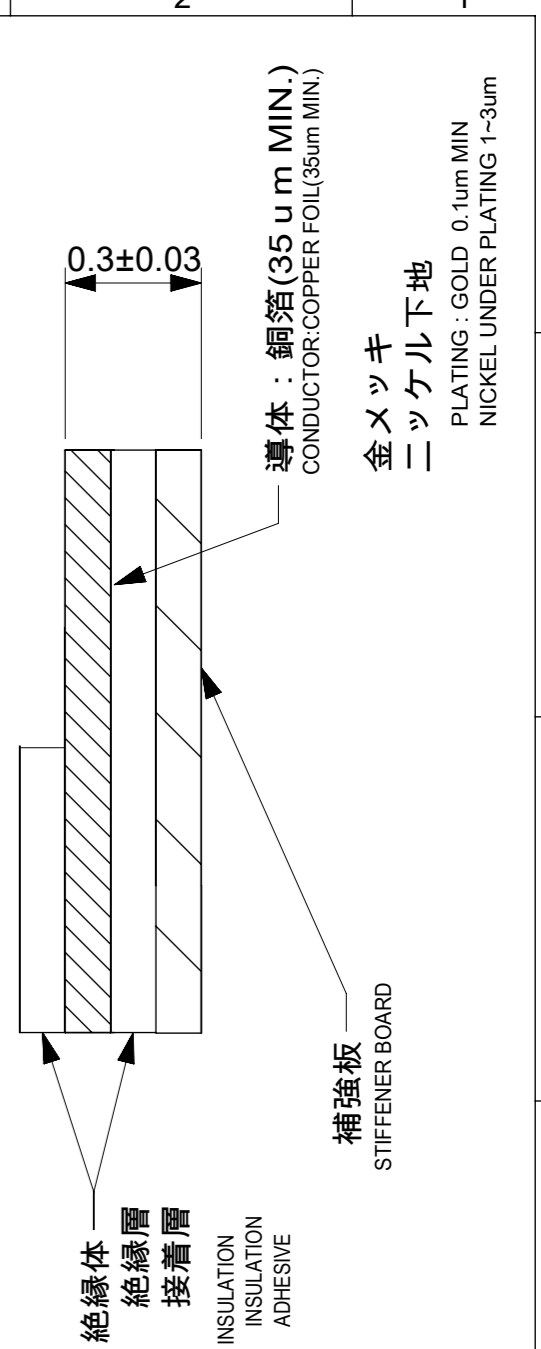
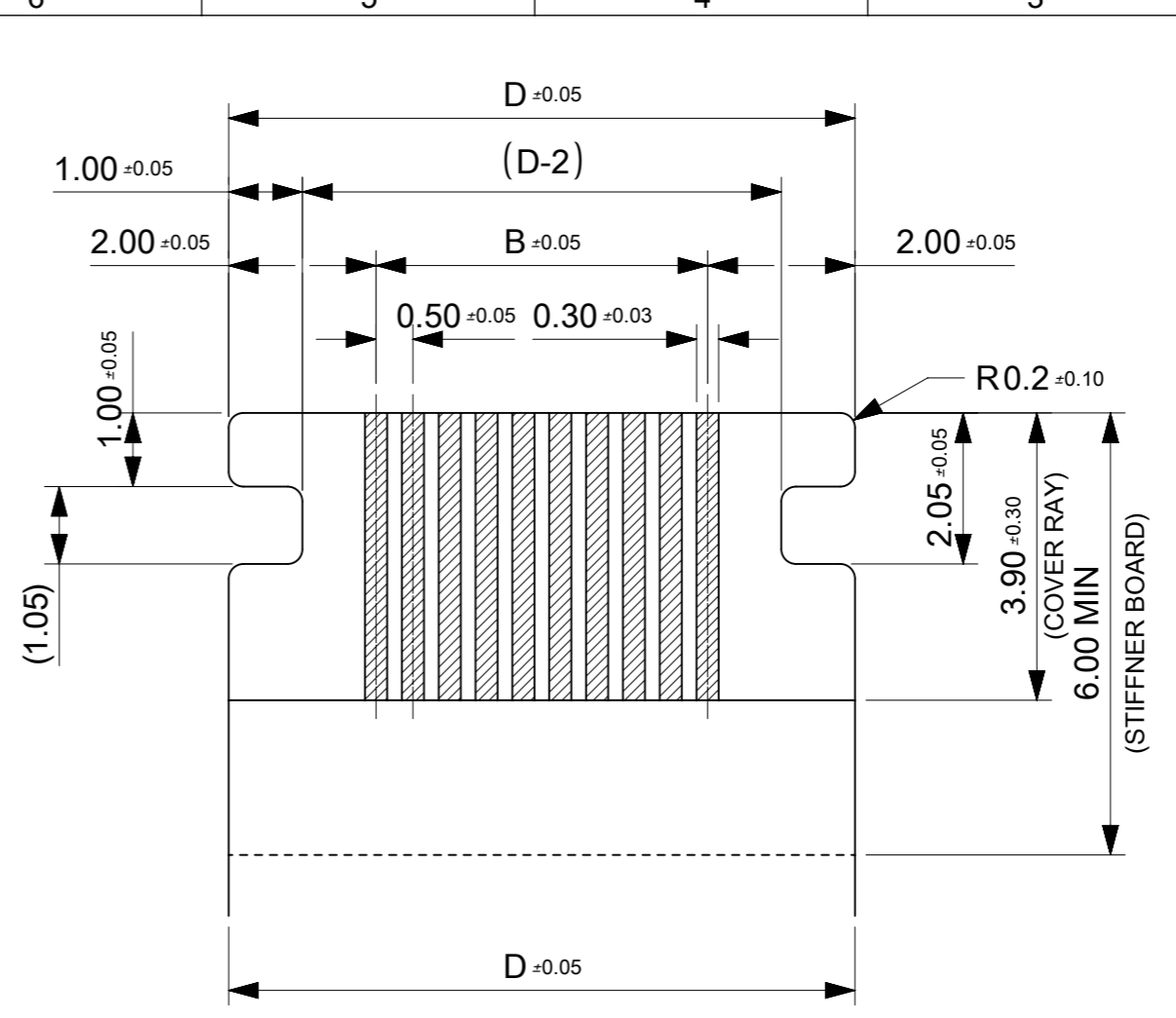
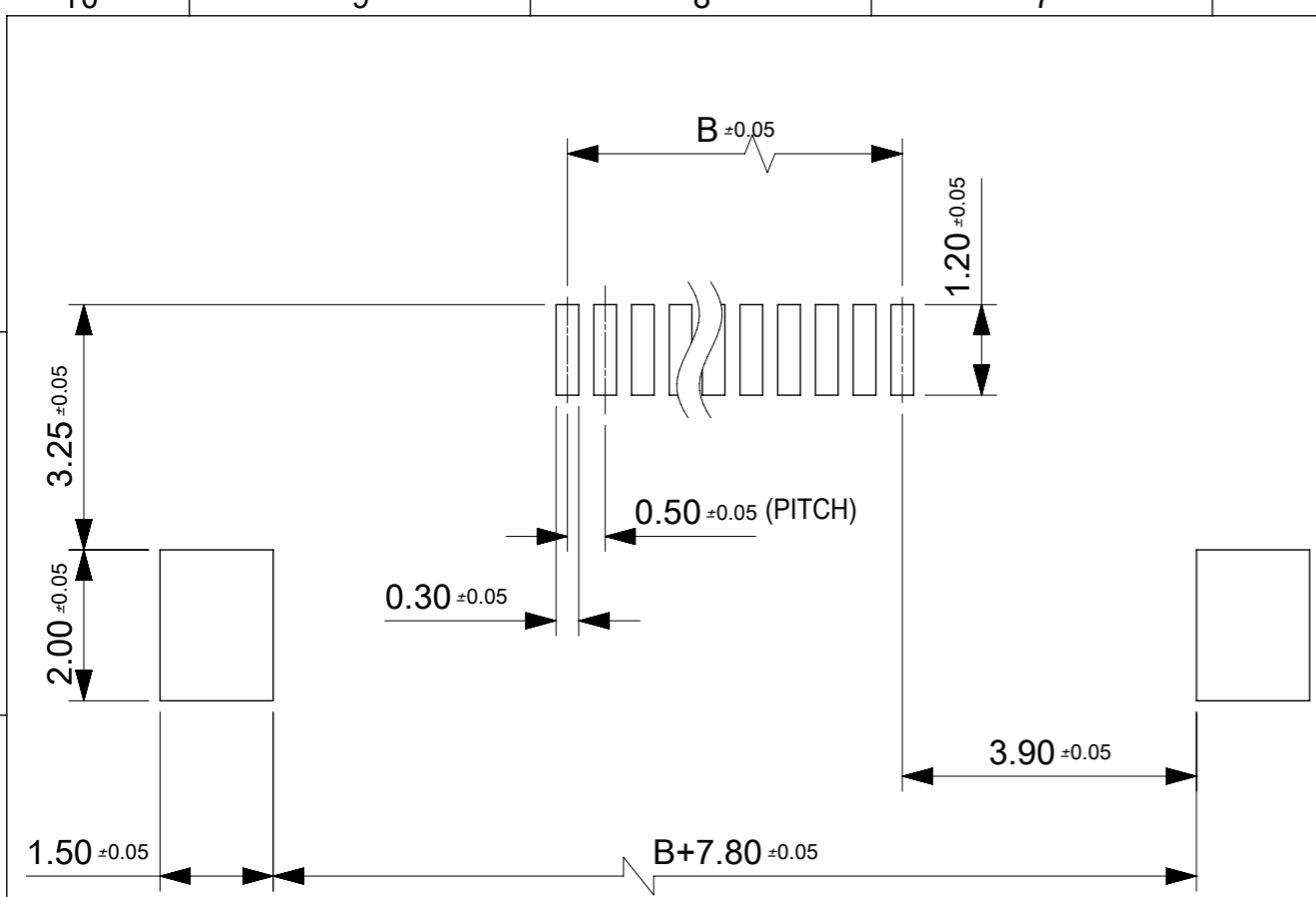
- 1.使用材料 MATERIAL
 ハウジング : 液晶ポリマー, ガラス充填, UL94V-0(黒)
 HOUSING : LIQUID CRYSTAL POLYMER, GLASS FILLED, UL94V-0(BLACK)
 ボタン : 液晶ポリマー, ガラス充填, UL94V-0(ナチュラル)
 BUTTON : LIQUID CRYSTAL POLYMER, GLASS FILLED, UL94V-0(NATURAL)
 ターミナル : 銅合金 (t=0.15)
 TERMINAL : COPPER ALLOY
 ロックネイル : 銅合金 (t=0.15)
 LOCK NAIL : COPPER ALLOY
- 2.めっき仕様 PLATING
 ターミナル TERMINAL
 接点部 : 金めっき 0.1µm以上
 CONTACT AREA : GOLD 0.1 MICROMETER MINIMUM
 半田付け部 : 金めっき
 SOLDER TAIL AREA : GOLD
 下地めっき : ニッケル 1.0µm以上
 UNDERPLATE : NICKEL 1.0 MICROMETER MINIMUM
 ロックネイル LOCK NAIL
 錫めっき (1.0µm以上)
 TIN PLATING (1.0 MICROMETER MIN.)
- 3.平坦度は0.1ミリ以下とする。
 COPLANALITY TO BE 0.1 MAXIMUM.



1.302	43.5	49.2	39.5	49.69	2004850080	80
1.195	38.5	44.2	34.5	44.69	2004850070	70
1.054	33.5	39.2	29.5	39.69	2004850060	60
0.958	29	34.7	25	35.19	2004850051	51
0.942	28.5	34.2	24.5	34.69	2004850050	50
0.796	23.5	29.2	19.5	29.69	2004850040	40
0.702	21	26.7	17	27.19	2004850035	35
0.650	18.5	24.2	14.5	24.69	2004850030	30
0.505	13.5	19.2	9.5	19.69	2004850020	20
0.359	8.5	14.2	4.5	14.69	2004850010	10
NET WEIGHT (g)	D	C	B	A	EMBOSSED PACKAGE	CIRCUIT

CONNECTOR SERIES NO. 20048510**

THIS DRAWING CONTAINS INFORMATION THAT IS PROPRIETARY TO MOLEX ELECTRONIC TECHNOLOGIES, LLC AND SHOULD NOT BE USED WITHOUT WRITTEN PERMISSION		CURRENT REV DESC:		molex	
DIMENSION UNITS	SCALE				
mm	5:1			0.5FFC CONN. RA ONE TOUCH ASS'Y HT	
GENERAL TOLERANCES (UNLESS SPECIFIED)				PRODUCT CUSTOMER DRAWING	
ANGULAR TOL	± 1.0°			DOCUMENT NUMBER	
4 PLACES	± 0.1	EC NO: 650466		2004851000	
3 PLACES	± 0.1	DRWN: TYAMANE 2020/12/02		DOC TYPE	
2 PLACES	± 0.1	CHK'D: YAMATSUMOTO 2020/12/02		DOC PART	
1 PLACE	± 0.1	APPR: SHOSHIKAWA 2020/12/02		REVISION	
0 PLACES	± 0.1	INITIAL REVISION:		C	
DRAFT WHERE APPLICABLE MUST REMAIN WITHIN DIMENSIONS		DRWN: TYAMANE 2018/09/21		MATERIAL NUMBER	
		APPR: SHOSHIKAWA 2020/06/08		CUSTOMER	
		THIRD ANGLE PROJECTION		GENERAL	
		DRAWING		SHEET NUMBER	
		A3-SIZE		1 OF 2	
		SERIES			
		200485			



推奨PWB寸法
 RECOMMENDED PWB DIMENSION
 推奨メタルマスク厚、開口率: t=0.12mm, 80%
 RECOMMENDED METAL MASK THICKNESS, APERTURE RATIO: t=0.12mm, 80%
 ロックネイル部開口率は100%
 APERTURE RATIO FOR LOCK NAIL: 100%

推奨FFC寸法
 RECOMMENDED FFC DIMENSION
 抜き方向は導体側から補強版側を推奨します
 RECOMMENDED PUNCHING DIRECTION:
 FROM CONDUCTOR SIDE TO STIFFENER SIDE

THIS DRAWING CONTAINS INFORMATION THAT IS PROPRIETARY TO MOLEX ELECTRONIC TECHNOLOGIES, LLC AND SHOULD NOT BE USED WITHOUT WRITTEN PERMISSION									
DIMENSION UNITS		SCALE		CURRENT REV DESC:				molex	
mm		10:1							
GENERAL TOLERANCES (UNLESS SPECIFIED)								0.5FFC CONN. RA ONE TOUCH ASS'Y HT	
ANGULAR TOL ± 1.0°								PRODUCT CUSTOMER DRAWING	
4 PLACES ± 0.1		EC NO: 650466		DRWN: TYAMANE		2020/12/02		DOCUMENT NUMBER	
3 PLACES ± 0.1		CHK'D: YMATSUMOTO		APPR: SHOSHIKAWA		2020/12/02		DOC TYPE	
2 PLACES ± 0.1		INITIAL REVISION:		DRWN: TYAMANE		2018/09/21		DOC PART	
1 PLACE ± 0.1		DRWN: TYAMANE		APPR: SHOSHIKAWA		2020/06/08		REVISION	
0 PLACES ± 0.1		DRAFT WHERE APPLICABLE MUST REMAIN WITHIN DIMENSIONS		THIRD ANGLE PROJECTION		DRAWING		SHEET NUMBER	
				A3-SIZE		SERIES		MATERIAL NUMBER	
						200485		CUSTOMER	
						SEE TABLE		GENERAL	
						2004851000		PSD 000 C	
						GENERAL		2 OF 2	