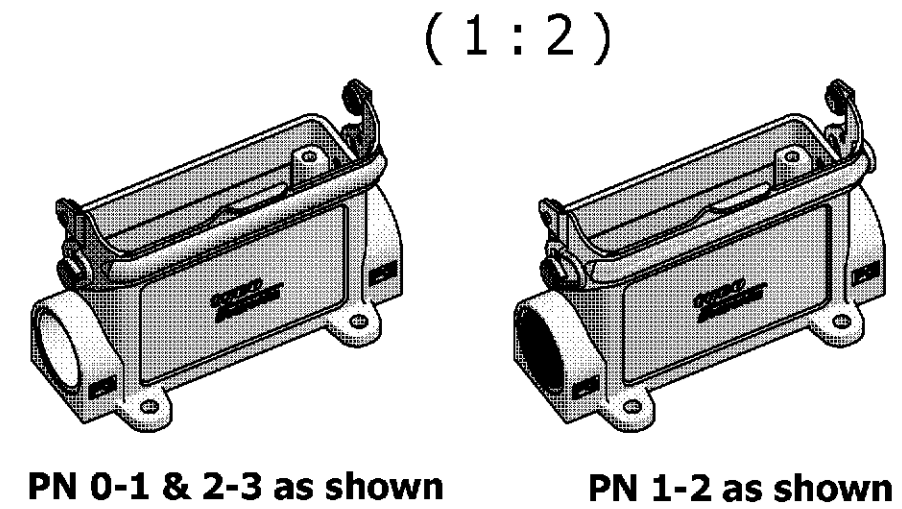
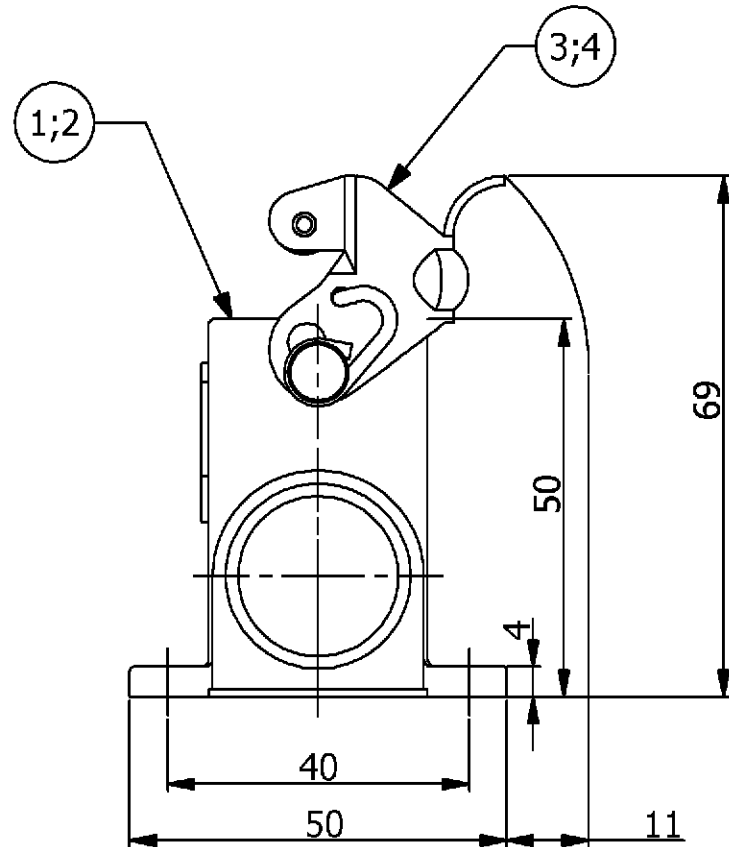
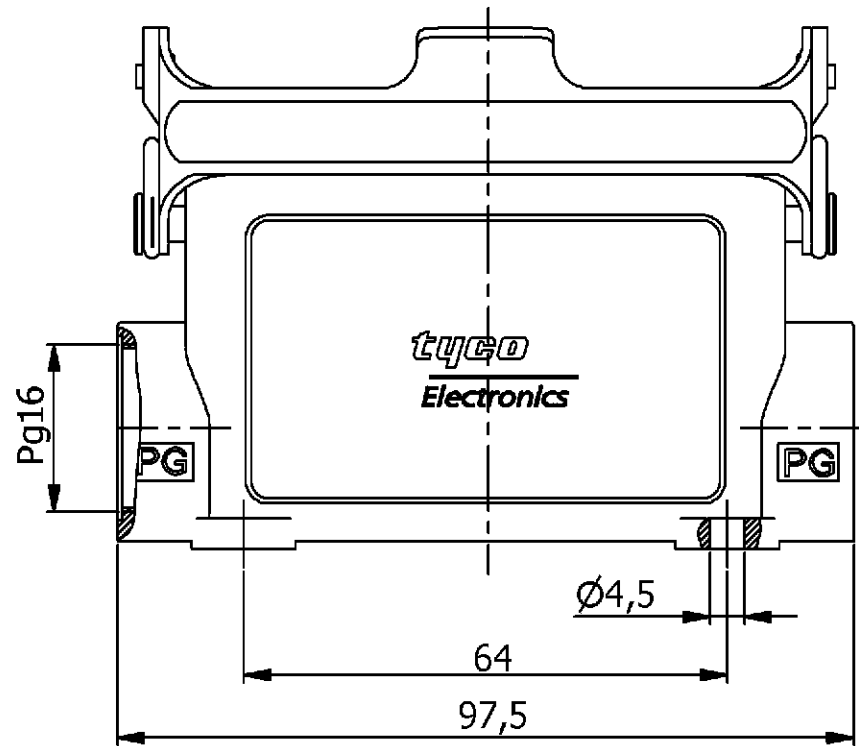


NOTES

- 1 PACKAGING QUANTITY: 5 PIECES PER BOX
- △ 2 MATERIAL: HOUSING: ALUMINIUM DIECASTING ALLOY
- △ 3 FINISH: VARNISH GREY
POWDER COATED
- 4 VARNISH ON THE INSIDE NOT NECESSARY



OBSOLETE	△ 2	△ 3	△ 3					
1	-	Side Clip	V2A	Blank	-	4	-	
1	1	Side Clip	Steel	Zinc Plated	Blue	3	-	
1	-	Surface Mounted Housing HA.16.1.Pg16	Aluminium	-	No varnish	2	-	
1	1	Surface Mounted Housing HA.16.1.Pg16	Aluminium	-	Grey	1	-	
0-1	2-3	1-2	DESCRIPTION	MATERIAL	SURFACE	COLOR	ITEM NO.	REMARKS
ORDERING TEXT								
HA.16.SG-LB.1.16.Z								
HA.16.SG-LB.1.16.Z								
HA.16.SG-LB.2.16.Z								

THIS DRAWING IS A CONTROLLED DOCUMENT FOR AMP INCORPORATED. IT IS SUBJECT TO CHANGE AND THE CONTROLLING ENGINEERING ORGANIZATION SHOULD BE CONTACTED FOR THE LATEST REVISION. DIESSES ZEICHNUNGSDOKUMENT WIRD DURCH AMP INCORPORATED KONTROLLIERT. ÄNDERUNGEN, DIE DEM TECHNISCHEN FORTSCHRITT DIENEN, SIND VORBEHALTEN. DEN JEWELLS LETZTGÜLTIGEN ÄNDERUNGSSTAND ERFAHREN SIE AUF ANFRAGE.	DWN P.BENNUR 2/24/2006	TE Connectivity
DIMENSIONS: DIMENSIONEN: mm	CHK R.SRINIVAS 2/24/2006	
TOLERANCES UNLESS OTHERWISE SPECIFIED: ALLGEMEINTOLERANZEN n. ISO 8015 - mH-E n. ISO 2768 - 140 n. DIN 16901- 0 PLC # 1 PLC # 2 PLC # 3 PLC # ANGLES / WINKEL #	APVD T.SCHNURPFEIL 2/24/2006	
MATERIAL	PRODUCT SPEC. PRODUKTSPEZ. 108-74009 APPLICATION SPEC. VERARBEITUNGSSPEZ. 114-74004	
△ 2	△ 3	NAME SURFACE MOUNTED HOUSING HA.16.SG-LB.16
	WEIGHT GEWICHT -	SIZE A3
		CAGE CODE 00779
		DRAWING NO. ZEICHNUNGS-NR. 1102143
		RESTRICTED TO NUR FUER
		SCALE MASSSTAB 1:1
		SHEET BLATT 1
		OF VON 1
		REV. B2
CUSTOMER DRAWING / KUNDENZEICHNUNG		