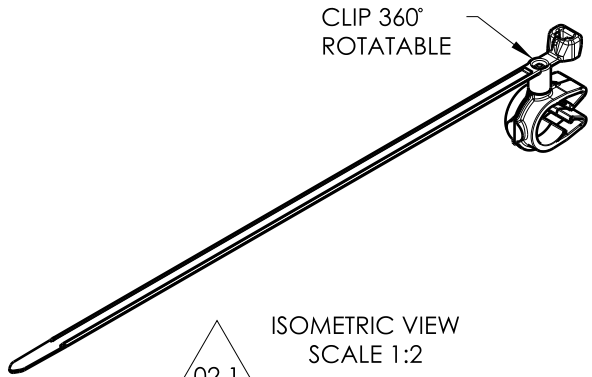
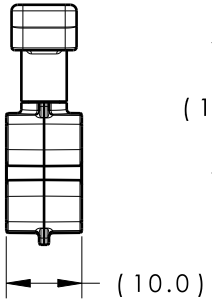
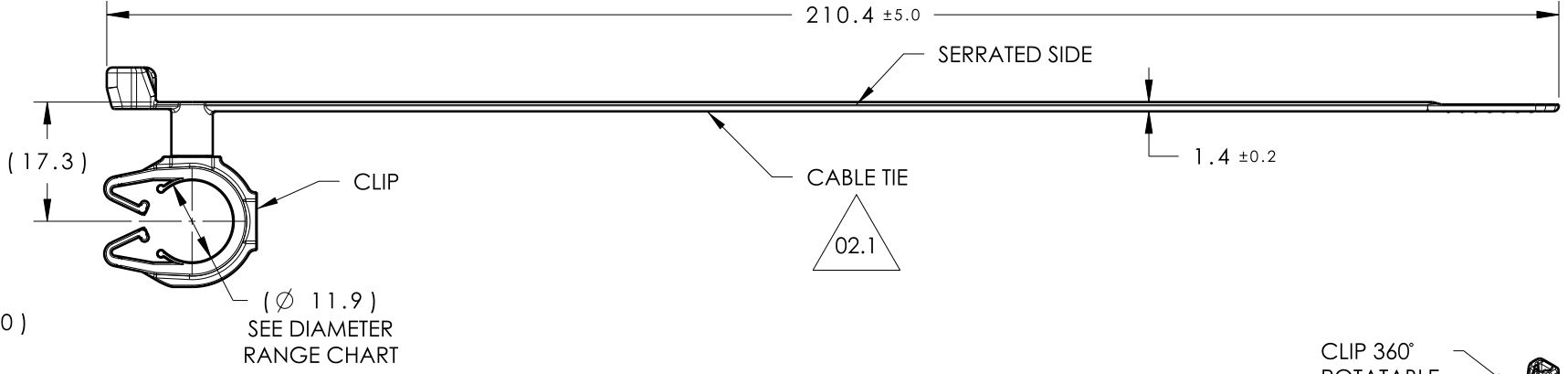
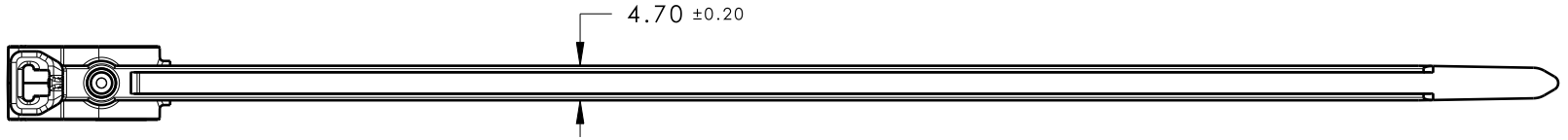


| Revision Level | | | Revision Record | Changed | Date | Approved | Date |
|----------------|----------------|------|-----------------|---------|---------|----------|---------|
| Drawing | State | Part | | | | | |
| 02.1 | Design Release | | SEE ECN# 014537 | TAT | 7/20/18 | EJH | 7/20/18 |



| TYPE | SUGGESTED DIAMETER RANGE* |
|----------------|---------------------------|
| HARNESS | 11.5MM - 13.0MM |
| HOSE | 10.5MM - 13.0MM |
| HARD PIPE/TUBE | 12.0MM - 13.8MM |

*RECOMMENDED SIZES MAY DIFFER DEPENDING ON THE APPLICATION, PRODUCT REQUIREMENTS AND MATERIALS USED

**PATENT PENDING 29/582,271

| | | | | | | | | |
|---|---|--|--|-------|------------------------|--------------------------------|---------------------------------------|----------------|
| GLOBAL PART DESCRIPTION T50SMVCMOC12M-PA66HIRHSUV-BK | BUNDLE RANGE 2 TO 50 | CABLE TIE | | | CLIP** | | | |
| | | DRAWING | MATERIAL | COLOR | DRAWING | MATERIAL | COLOR | |
| | | 14-0606-012-CSU | PA66HIRHSUV | BLACK | 16-0319-000-CSU | PA66HIRHSUV | BLACK | |
| Material SEE CHART COLOR: SEE CHART | Units millimeters Tolerance defined on each dimension | The copyright of this drawing is reserved by HellermannTyton. It is issued on condition that it is not reproduced, copied or disclosed to a third party, either wholly or in part, without the consent of HellermannTyton. | Drawn | TAT | 5/17/17 | Article/Type-No T50SMVCMOC12M | Scale | 1:1 |
| | | | Approved | EJH | 5/31/17 | Title | T50SMVC CABLE TIE COUPLED TO 12MM MOC | Project Number |
| | | | North America Email: corp@htamericas.com Web: www.hellermann.tyton.com | | Drawing-No | PRODUCTION : Phase | Format | AH |
| | | | | | 16-0319-302-CSU | | Sheet | 1/1 |