

Flush-type connector - SACC-DSIV-FS-5CON-L90 SH SCO - 1438024

Please be informed that the data shown in this PDF Document is generated from our Online Catalog. Please find the complete data in the user's documentation. Our General Terms of Use for Downloads are valid (<http://phoenixcontact.com/download>)



Sensor/actuator flush-type connector, socket, 5-pos., M12 SPEEDCON, A-coded, shielded, rear/screw mounting with M12 thread, with polarity protection, with angled solder connection



Key Commercial Data

Packing unit	10 pc
GTIN	
GTIN	4046356457521

Technical data

Ambient conditions

Ambient temperature (operation)	-25 °C ... 85 °C (Plug / socket)
Degree of protection	IP67

General

Rated current at 40°C	4 A
Rated voltage	60 V
Number of positions	5
Insulation resistance	≥ 100 MΩ
Coding	A - standard
Standards/regulations	M12 connector IEC 61076-2-101
Status display	No
Overvoltage category	II
Degree of pollution	3
Connection method	Solder pins
Mounting type	Rear mounting M12 x 1 With flat nut

Material

Flammability rating according to UL 94	V0
Contact material	CuZn

Flush-type connector - SACC-DSIV-FS-5CON-L90 SH SCO - 1438024

Technical data

Material

Contact surface material	Ni/Au
Contact carrier material	PA 6.6
Material, knurls	Zinc die-cast, nickel-plated
Sealing material	NBR

Cable

Standards/specifications	M12 connector IEC 61076-2-101
--------------------------	-------------------------------

Standards and Regulations

Standard designation	M12 connector
Standards/regulations	IEC 61076-2-101
Flammability rating according to UL 94	V0

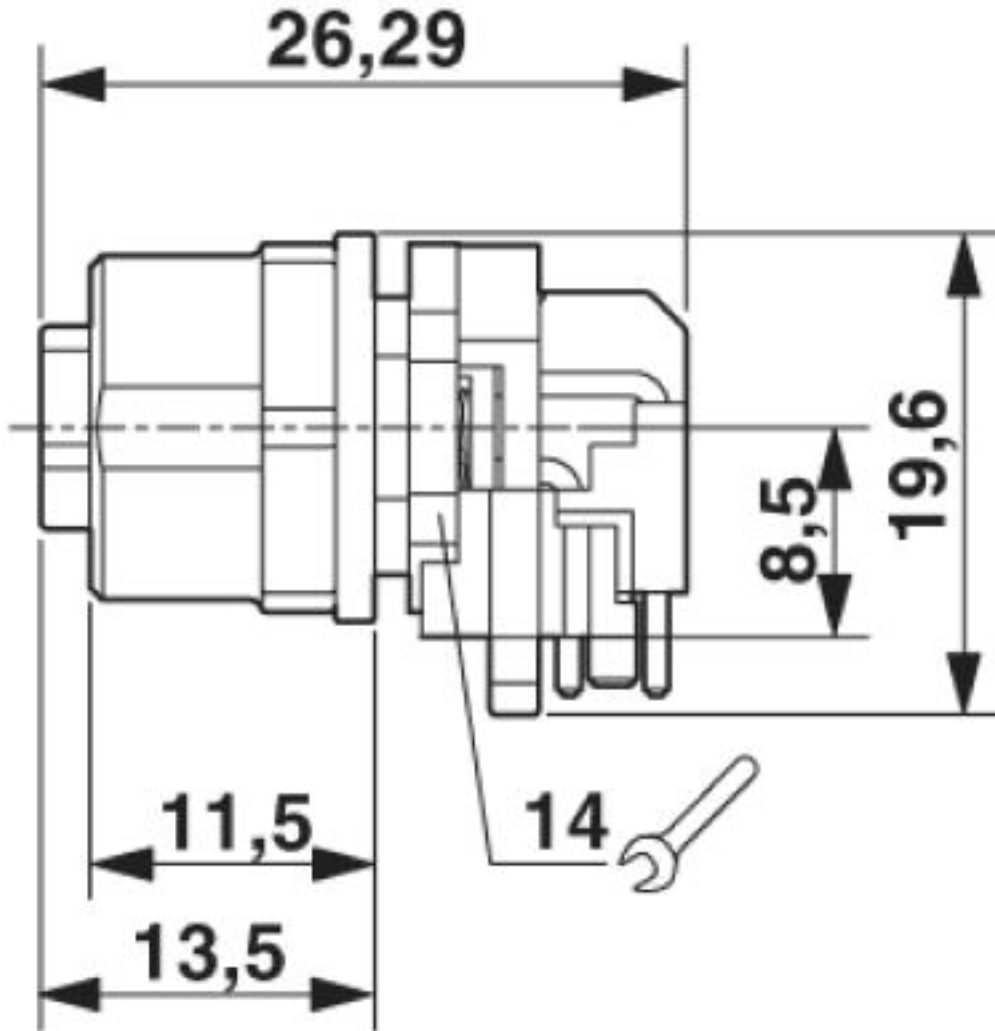
Environmental Product Compliance

	Lead 7439-92-1
China RoHS	Environmentally Friendly Use Period = 50
	For details about hazardous substances go to tab "Downloads", Category "Manufacturer's declaration"

Drawings

Flush-type connector - SACC-DSIV-FS-5CON-L90 SH SCO - 1438024

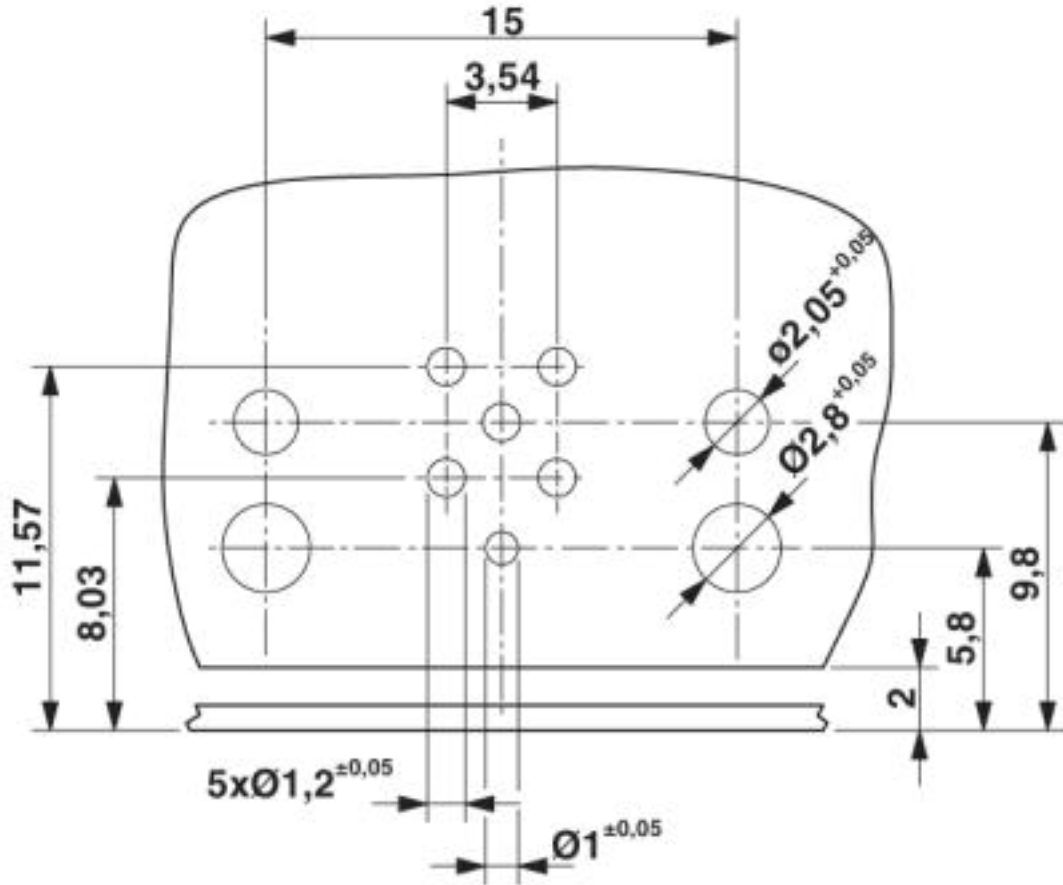
Dimensional drawing



M12 flush-type connector, socket, side view

Flush-type connector - SACC-DSIV-FS-5CON-L90 SH SCO - 1438024

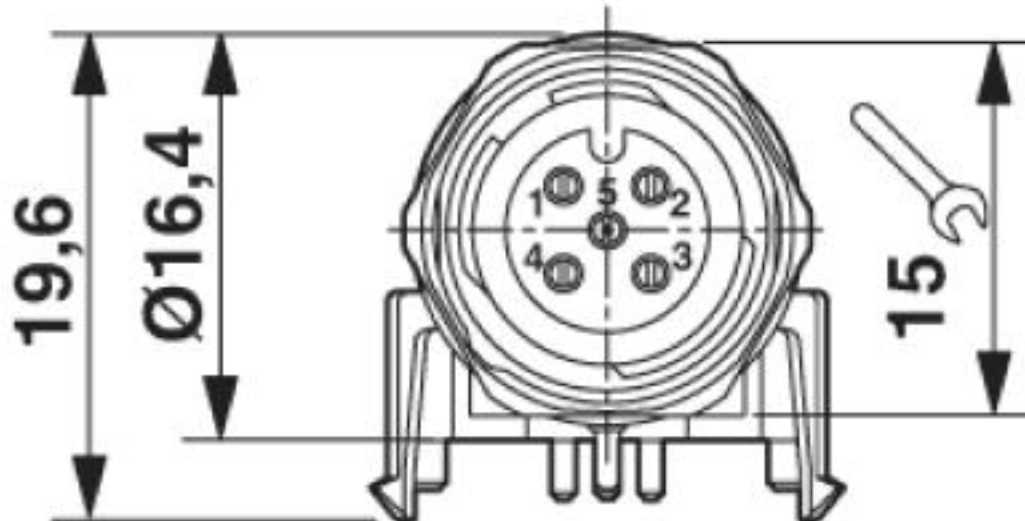
Drilling diagram



Drilling diagram

Flush-type connector - SACC-DSIV-FS-5CON-L90 SH SCO - 1438024

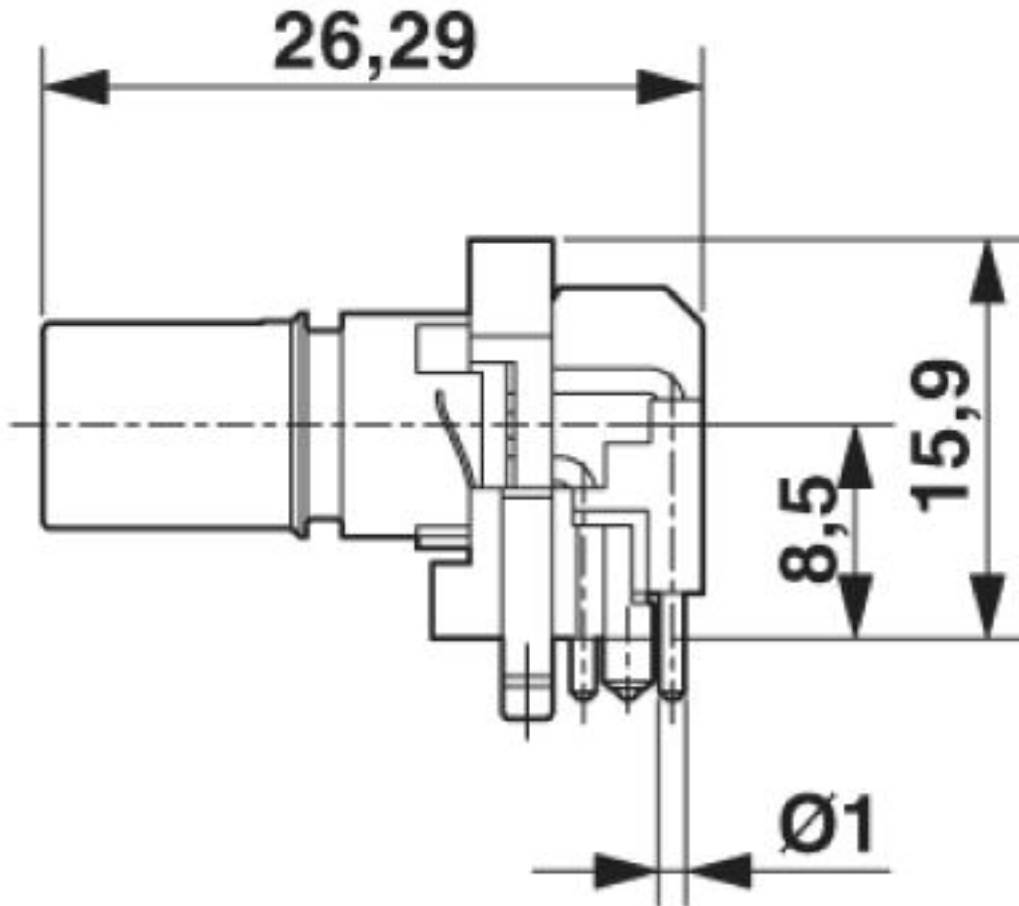
Dimensional drawing



M12 flush-type connector, socket, front view

Flush-type connector - SACC-DSIV-FS-5CON-L90 SH SCO - 1438024

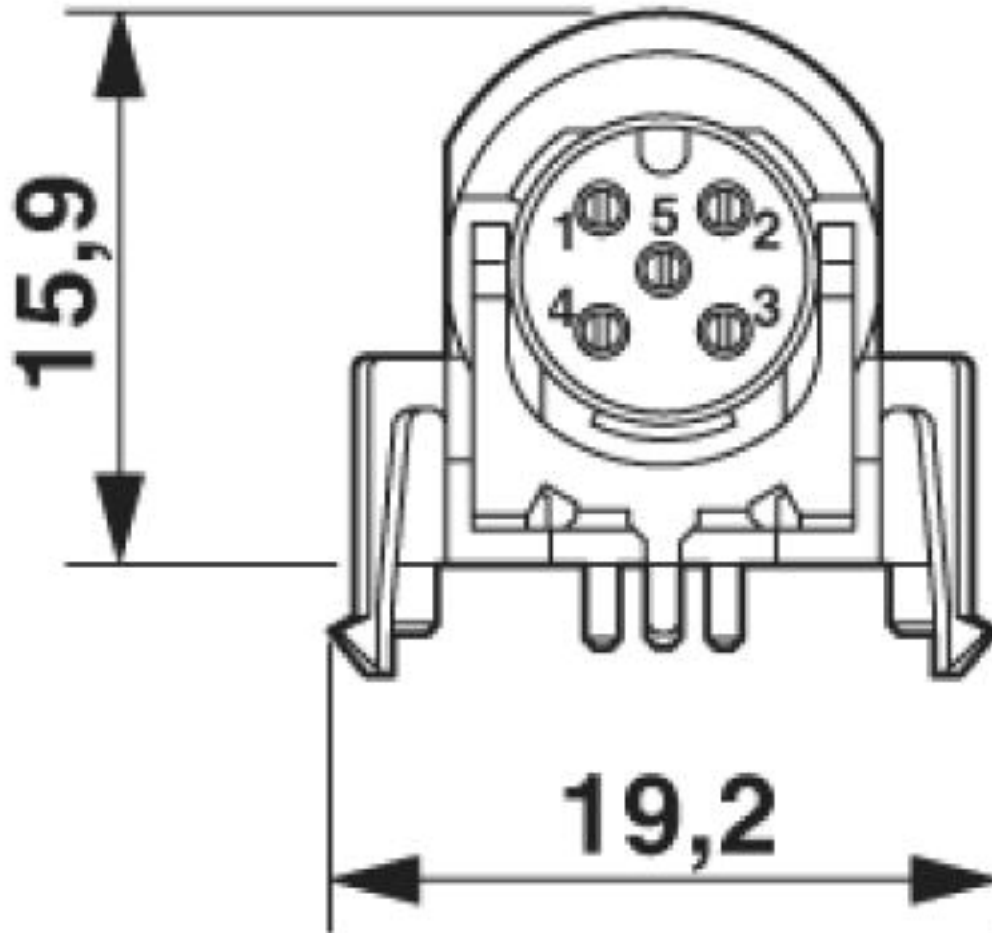
Dimensional drawing



M12 flush-type connector, socket, contact carrier, side view

Flush-type connector - SACC-DSIV-FS-5CON-L90 SH SCO - 1438024

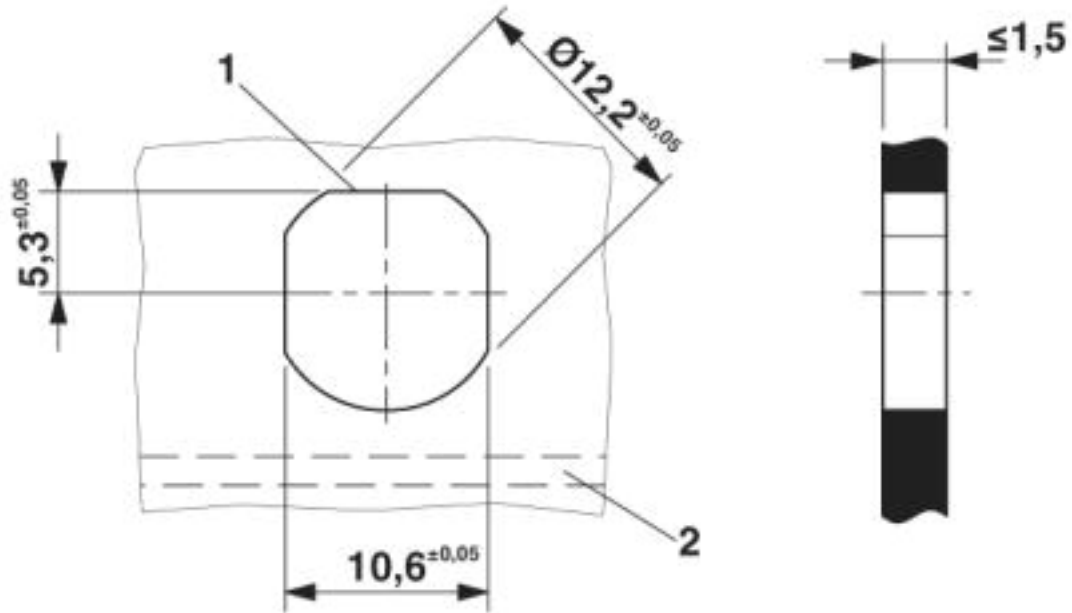
Dimensional drawing



M12 flush-type connector, socket, contact carrier, front view

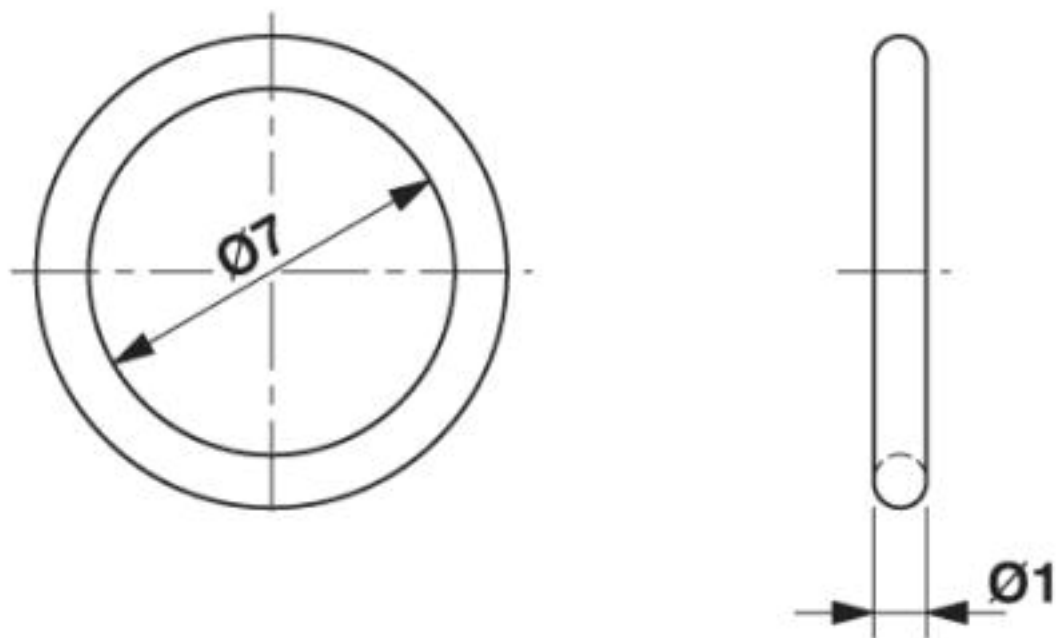
Flush-type connector - SACC-DSIV-FS-5CON-L90 SH SCO - 1438024

Dimensional drawing



Housing cutout for M12 fastening thread, mounting panel with feed-through hole (alternative with surface as protection against rotation)

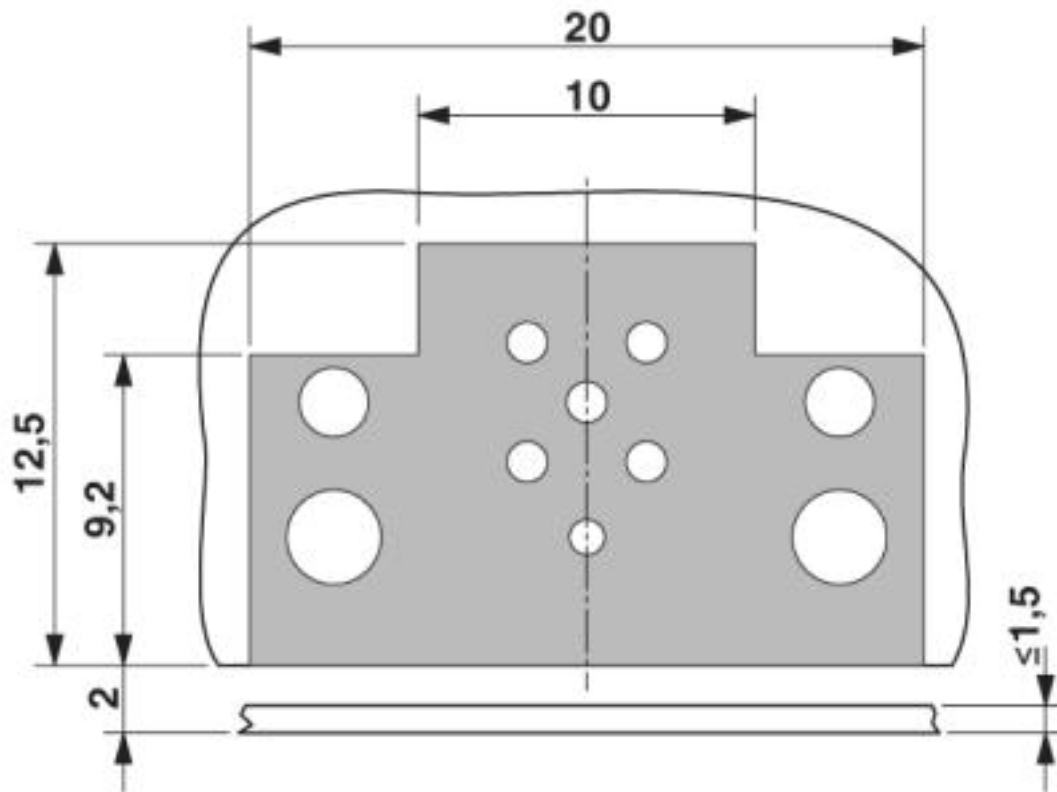
Dimensional drawing



Optionally with O-ring (green) for tight seal when plugged in.
- the axial mating force of 80 N per connector may not be exceeded when using with assembled O-ring!
- Avoid radial forces!

Flush-type connector - SACC-DSIV-FS-5CON-L90 SH SCO - 1438024

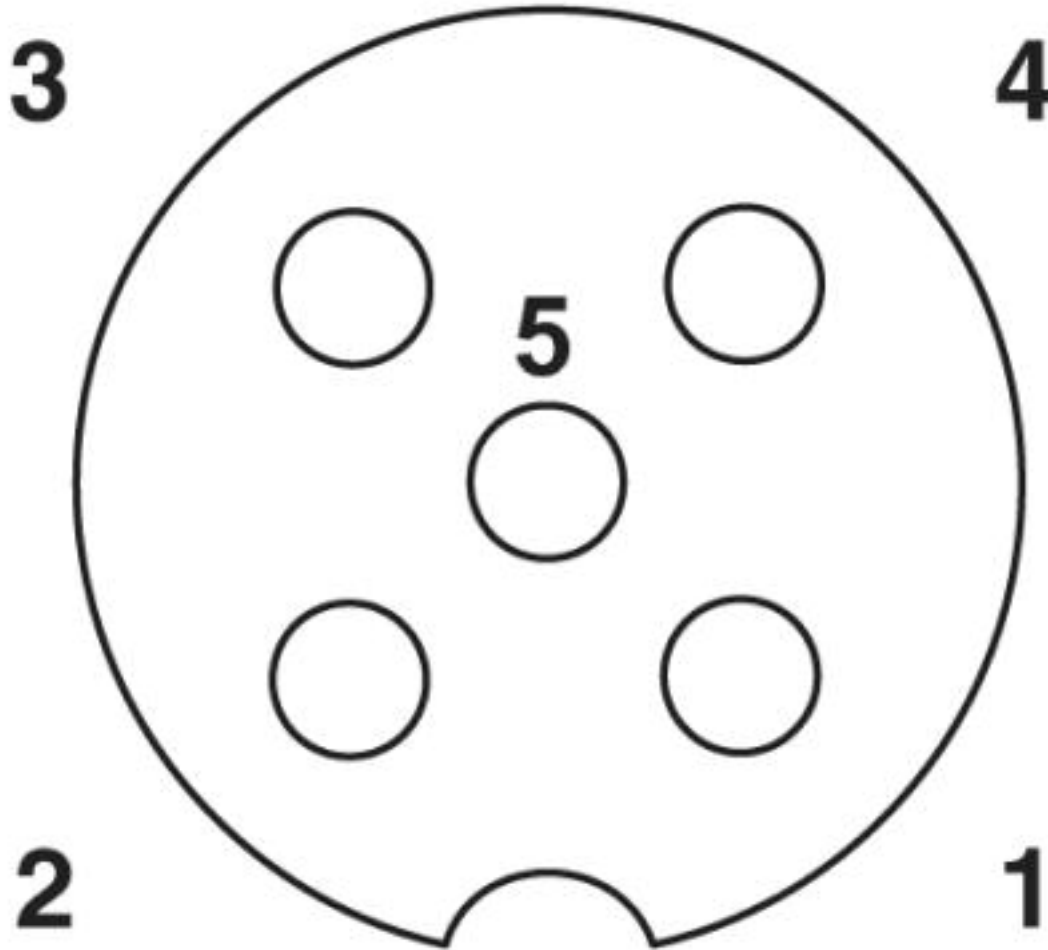
Dimensional drawing



Locked area on the PCB

Flush-type connector - SACC-DSIV-FS-5CON-L90 SH SCO - 1438024

Schematic diagram



Pin assignment M12 socket, 5-pos., A-coded, socket side view

Approvals

Approvals

Approvals


UL Recognized / EAC


Ex Approvals

Approval details

Flush-type connector - SACC-DSIV-FS-5CON-L90 SH SCO - 1438024

Approvals

UL Recognized		http://database.ul.com/cgi-bin/XYV/template/LISEXT/1FRAME/index.htm	FILE E 118976
Nominal voltage UN		60 V	
Nominal current IN		4 A	
mm ² /AWG/kcmil		22	

EAC		B.01742
-----	---	---------

Phoenix Contact 2019 © - all rights reserved
<http://www.phoenixcontact.com>

PHOENIX CONTACT GmbH & Co. KG
Flachsmarktstr. 8
32825 Blomberg
Germany
Tel. +49 5235 300
Fax +49 5235 3 41200
<http://www.phoenixcontact.com>