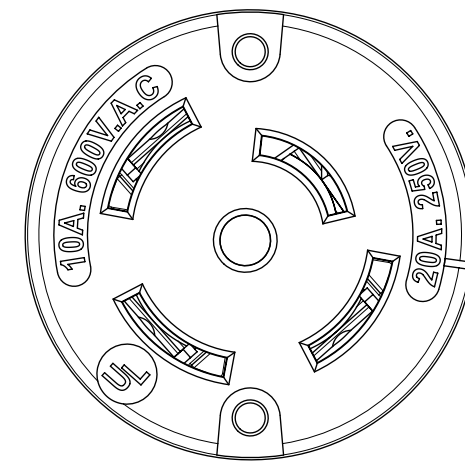
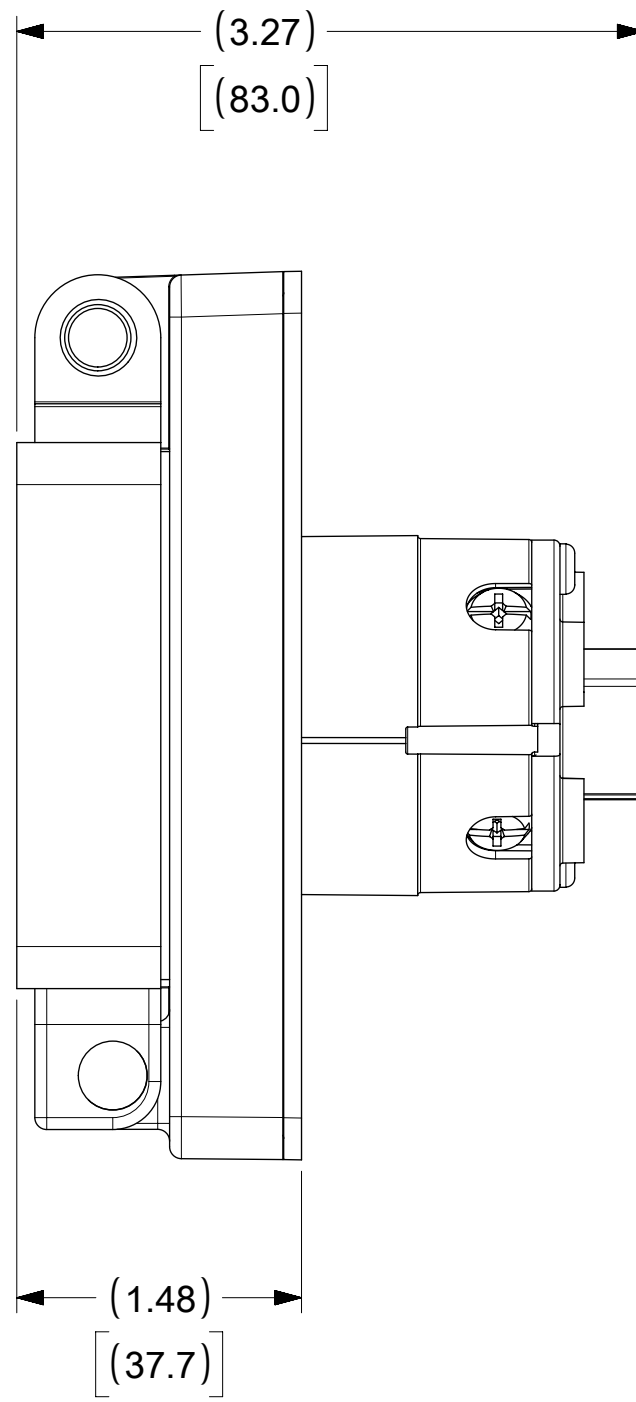
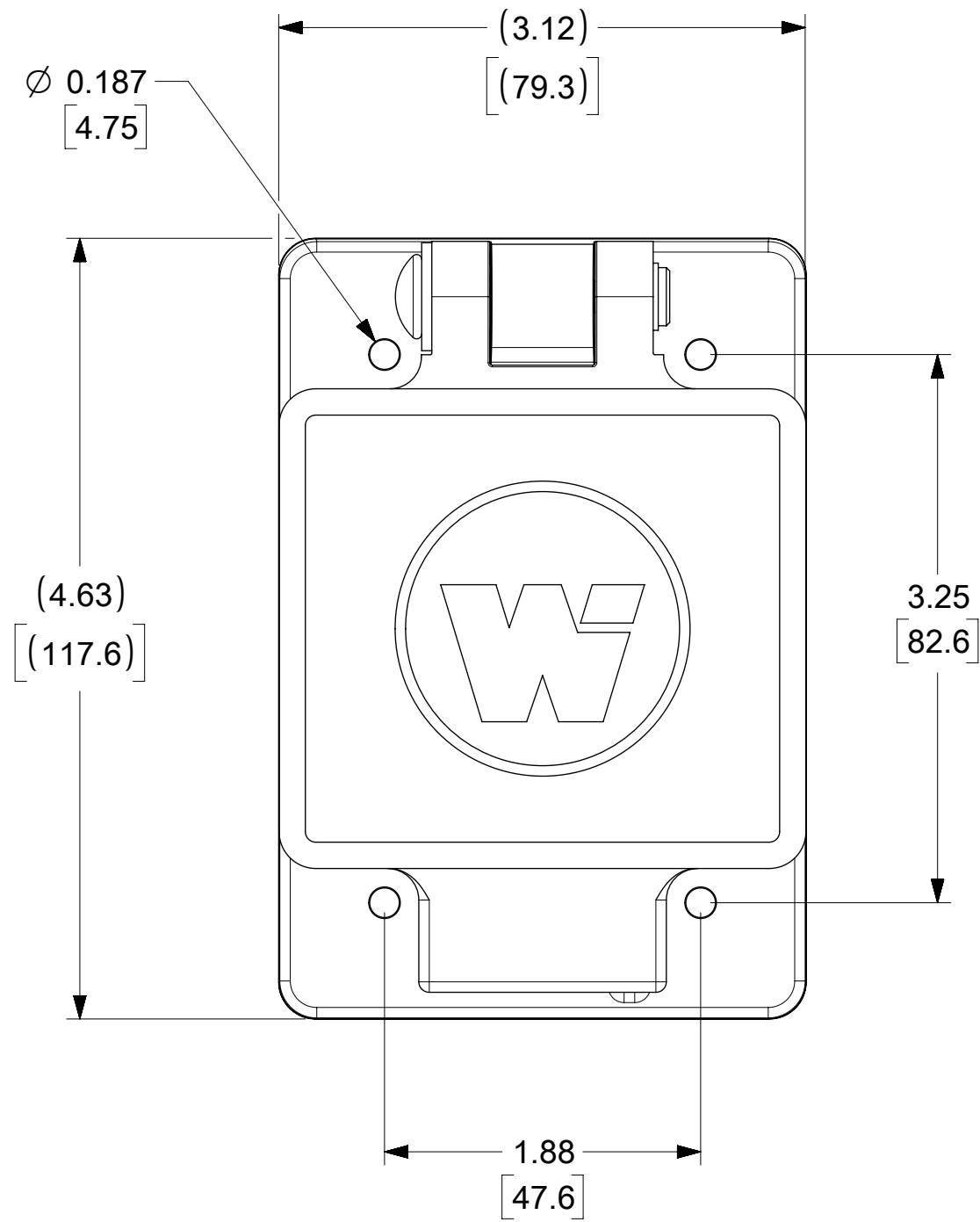
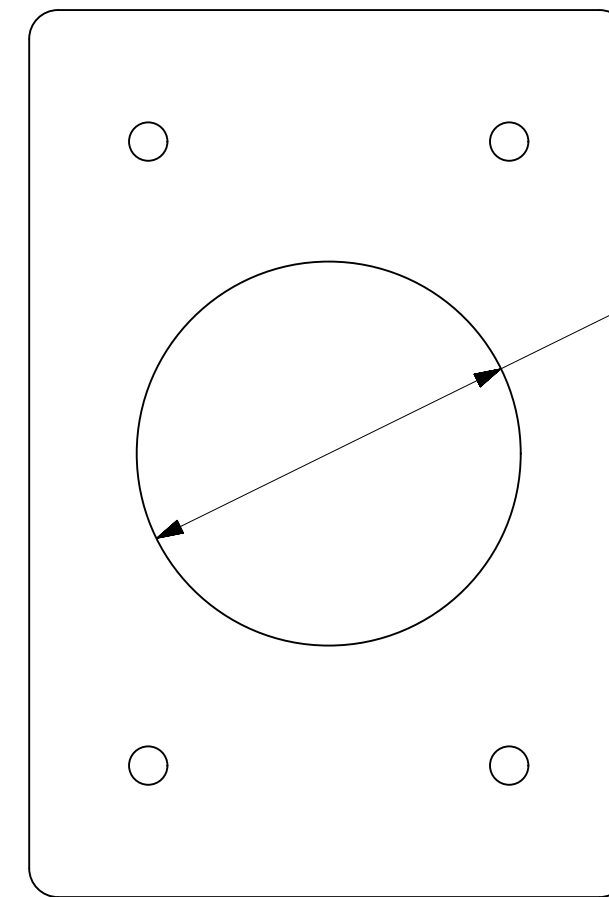
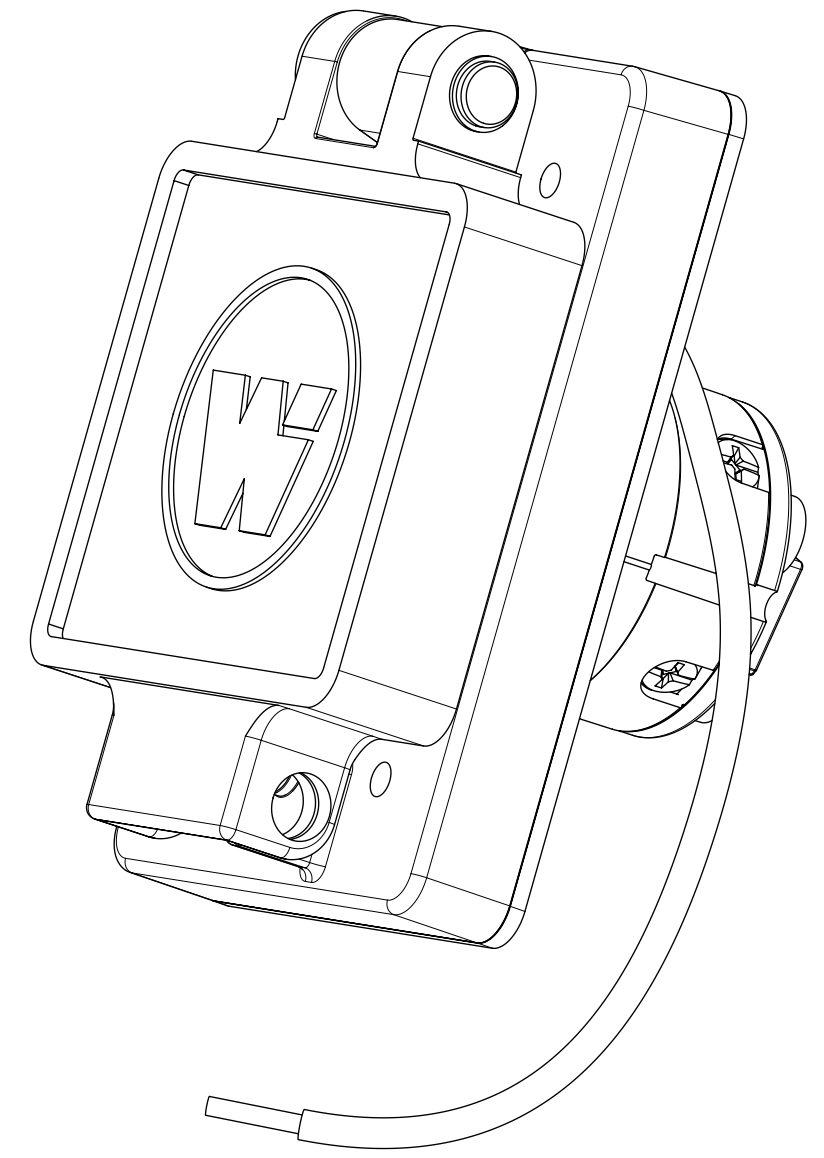


ORDER NO.	WOODHEAD NO.	COLOR
130147-0140	67W10	YELLOW



FACE VIEW



CLEARANCE HOLE  
(FOR PANEL MOUNT)

DESCRPTION	MATERIAL	QTY.
BLADES	BRASS, NICKEL PLATED	3
RETAINING SCREWS	STAINLESS STEEL	3
CLAMP AND TERMINAL SCREW ASSY.	BRASS, ZINC PLATED	3
FEMALE INSERT	NYLON	1
TERMINAL COVER	POLYCARBONATE	1
COVER ASSEMBLY	POLYCARBONATE, STAINLESS STEEL, ALUMINUM	1
GASKET FLIP	NEOPRENE	1
SUPPORT PLATE	STAINLESS STEEL	1
SCREW (GROUND WIRE)	STAINLESS STEEL	1
JUMPER WIRE ASSY	COPPER, BRASS (TINNED FINISH)	1

THIS DRAWING CONTAINS INFORMATION THAT IS PROPRIETARY TO MOLEX ELECTRONIC TECHNOLOGIES, LLC AND SHOULD NOT BE USED WITHOUT WRITTEN PERMISSION									
SYMBOLS		DIMENSION UNITS		SCALE		CURRENT REV DESC: MIGRATE TO ECTR/NX			
= 0		INCH[MM]		NTS		<b>molex</b> WATERTITE FS/FD COVER 4P5W NON-NEMA PRODUCT CUSTOMER DRAWING			
= 0		GENERAL TOLERANCES (UNLESS SPECIFIED)							
= 0		MM		INCH		EC NO: 614004 DRWN: SRPATIL 2018/12/27 CHK'D: DNGUYEN62 2019/03/19 APPR: HKNEELAND 2019/03/22			
= 0		4 PLACES ±		±		INITIAL REVISION:			
= 0		3 PLACES ±		±		DRWN: SRPATIL 2018/12/27			
= 0		2 PLACES ±		±		APPR: HKNEELAND 2019/03/22			
= 0		1 PLACE ±		±		DOCUMENT NUMBER: 1301470140 DOC TYPE: PSD DOC PART: 000 REVISION: A			
= 0		0 PLACES ±		±		MATERIAL NUMBER: SEE TABLE CUSTOMER: GENERAL MARKET SHEET NUMBER: 1 OF 1			
= 0		ANGULAR TOL ± °		± °		THIRD ANGLE PROJECTION DRAWING: C-SIZE SERIES: 130147			
= 0		DRAFT WHERE APPLICABLE MUST REMAIN WITHIN DIMENSIONS							

DOCUMENT STATUS	P1	RELEASE DATE	2019/03/22 18:19:05
-----------------	----	--------------	---------------------