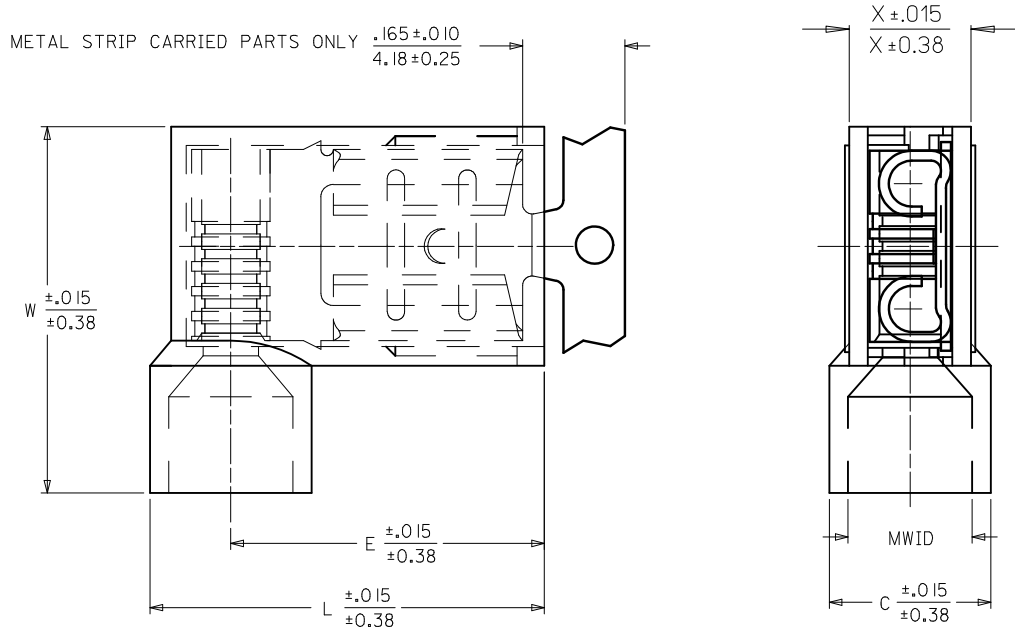


PART NO.	CARRIER STYLE	AWG	COLOR	MWID	TAB SIZE	E	C	L	W	X
190070064	LOOSE	22-18	RED	.176/4.47	.250 X .032	.512/13.00	.236/5.99	.630/16.00	.585/14.86	.197/5.00
190070065	TAPE	22-18	RED	.176/4.47	.250 X .032	.512/13.00	.236/5.99	.630/16.00	.585/14.86	.197/5.00
190070066	STRIP	22-18	RED	.176/4.47	.250 X .032	.512/13.00	.236/5.99	.630/16.00	.585/14.86	.197/5.00
190070073	LOOSE	16-14	BLUE	.200/5.08	.250 X .032	.500/12.70	.260/6.60	.630/16.00	.585/14.86	.197/5.00
190070074	TAPE	16-14	BLUE	.200/5.08	.250 X .032	.500/12.70	.260/6.60	.630/16.00	.585/14.86	.197/5.00
190070075	STRIP	16-14	BLUE	.200/5.08	.250 X .032	.500/12.70	.260/6.60	.630/16.00	.585/14.86	.197/5.00
190070082	LOOSE	12-10	YELLOW	.260/6.60	.250 X .032	.511/12.98	.311/7.90	.667/16.93	.677/17.20	.246/6.25
190070083	TAPE	12-10	YELLOW	.260/6.60	.250 X .032	.511/12.98	.311/7.90	.667/16.93	.677/17.20	.246/6.25
190070084	STRIP	12-10	YELLOW	.260/6.60	.250 X .032	.511/12.98	.311/7.90	.667/16.93	.677/17.20	.246/6.25

(C1)



SALES DRAWING

- NOTES:
1. MWID = MAX. WIRE INSULATION DIA.
 2. MATERIAL:
HOUSING: NYLON 6/6 94V-0 RATING
TERMINAL: TIN PLATED BRASS
 3. PARTS ARE ROHS COMPLIANT.

(C1)

P/N TYPO EC NO: ETC2006-0048 DRAWN: JLOMASTRO 2005/09/26 CHKD: PAUL TCKT 2005/09/28 APPR: RDEROSS 2005/09/28	DESCRIPTION REV	QUALITY SYMBOLS ▽=0 ▽=0	GENERAL TOLERANCES (UNLESS SPECIFIED)	DIMENSION STYLE IN/MM	SCALE	DESIGN UNITS INCH	THIRD ANGLE PROJECTION
			mm INCH	DRAWN BY DATE HBEITZEL 01/06/05	TITLE	MOLEX INCORPORATED FLAG FIQD INSULKRIMP 94V-0 MATERIAL 0250X .032 TAB DOCUMENT NO. SD-19007-002 SHEET NO. 1 OF 1	
			4 PLACES ± --- ± ---	CHECKED BY DATE RDEROSS 01/06/05			
			3 PLACES ± --- ± ---	APPROVED BY DATE RDEROSS 01/06/05			
	2 PLACES ± --- ± ---	MATERIAL NO.					
		1 PLACE ± --- ± ---	ANGULAR ±1/2°	SEE CHART	THIS DRAWING CONTAINS INFORMATION THAT IS PROPRIETARY TO MOLEX INCORPORATED AND SHOULD NOT BE USED WITHOUT WRITTEN PERMISSION		