

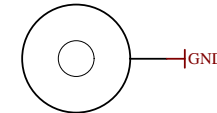
1

2

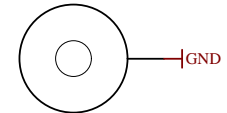
3

4

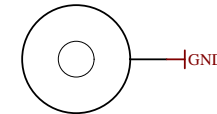
|                                 |                                   |                                     |
|---------------------------------|-----------------------------------|-------------------------------------|
| U_J1<br>J1.SchDoc               | U_B_PS_GT<br>B_PS_GT.SchDoc       | U_DDR4-TERM<br>DDR4-TERM.SchDoc     |
| U_J2<br>J2.SchDoc               | U_PS_DDR<br>PS_DDR.SchDoc         | U_ZU_POWER<br>ZU_POWER.SchDoc       |
| U_J3<br>J3.SchDoc               | U_B_MIO<br>B_MIO.SchDoc           | U_ZU_PS_POWER<br>ZU_PS_POWER.SchDoc |
| U_J4<br>J4.SchDoc               | U_B_HD<br>B_HD.SchDoc             | U_POWER<br>POWER.SchDoc             |
| U_DDR4-TERM<br>DDR4-TERM.SchDoc | U_Clock<br>Clock.SchDoc           | U_POWER_2<br>POWER_2.SchDoc         |
| U_B64<br>B64.SchDoc             | U_CONFIG<br>CONFIG.SchDoc         | U_POWER_3<br>POWER_3.SchDoc         |
| U_B65<br>B65.SchDoc             | U_DDR4-RAM<br>DDR4-RAM.SchDoc     | U_POWER_4<br>POWER_4.SchDoc         |
| U_B66<br>B66.SchDoc             | U_DDR4-RAM_2<br>DDR4-RAM_2.SchDoc |                                     |
| U_B_GT<br>B_GT.SchDoc           | U_DDR4-RAM_3<br>DDR4-RAM_3.SchDoc |                                     |
| U_B_GT_2<br>B_GT_2.SchDoc       | U_DDR4-RAM_4<br>DDR4-RAM_4.SchDoc |                                     |



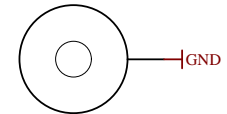
Mount.Hole 3.2mm für Unterlegscheibe



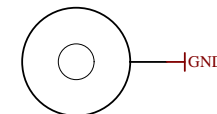
Mount.Hole 3.2mm für Unterlegscheibe



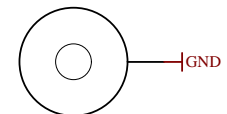
Mount.Hole 3.2mm für Unterlegscheibe



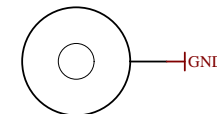
Mount.Hole 3.2mm für Unterlegscheibe



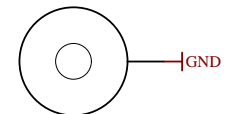
Mount.Hole 3.2mm für Unterlegscheibe



Mount.Hole 3.2mm für Unterlegscheibe

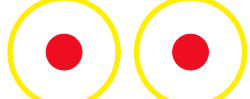


Mount.Hole 3.2mm für Unterlegscheibe



Mount.Hole 3.2mm für Unterlegscheibe

FIDU-DOT - small FIDU-DOT - small



PM1 PM2  
FIDU-DOT - small FIDU-DOT - small



PM3 PM4  
FIDU-DOT - small FIDU-DOT - small



PM5 PM6

LOGO1

TE Logo PRINT Layer

LOGO PRINT

Serial

Serial

Serialnumber 6,3 x 6.3mm



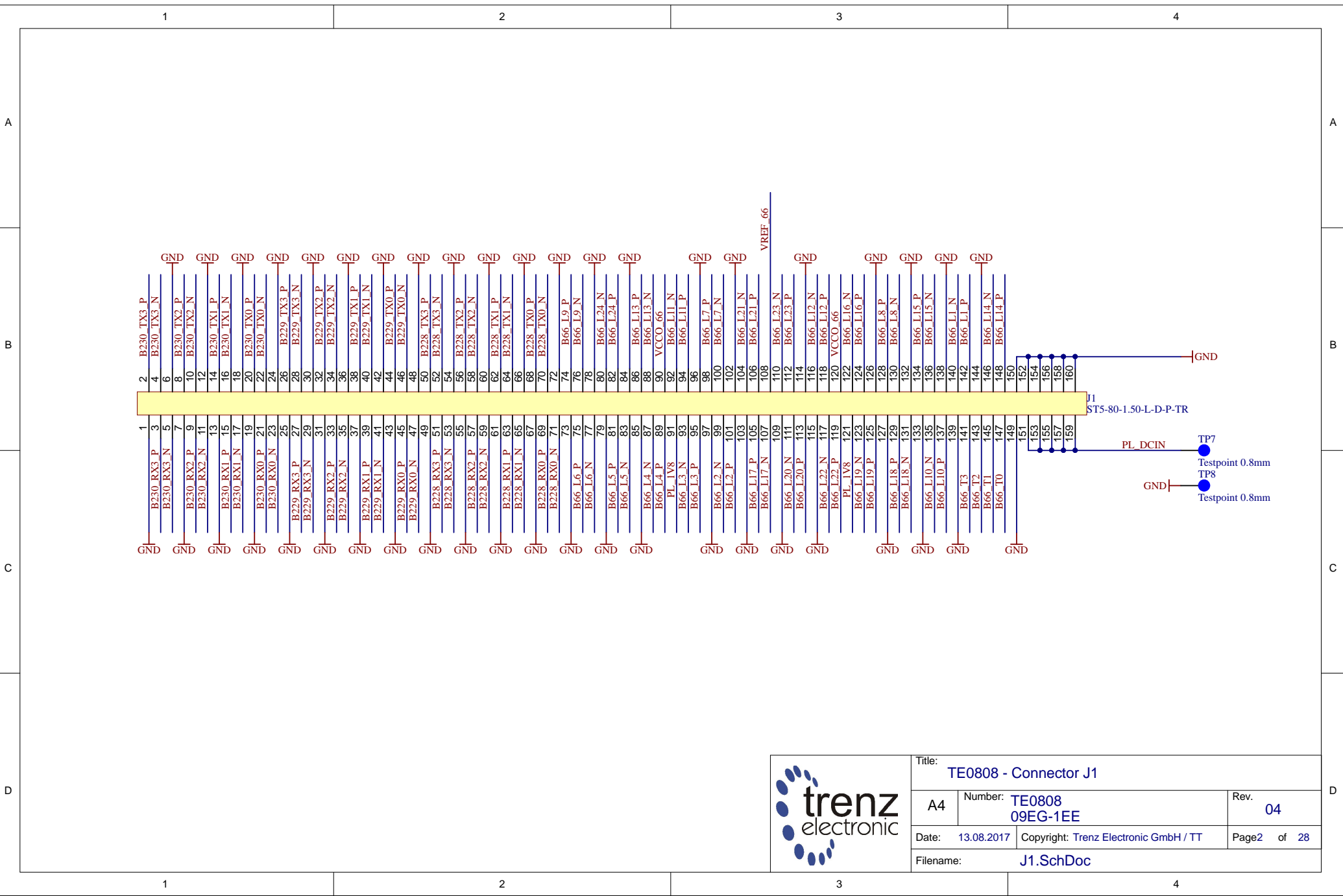
|                         |                                       |             |
|-------------------------|---------------------------------------|-------------|
| Title: TE0808           |                                       |             |
| A4                      | Number: TE0808<br>09EG-1EE            | Rev. 04     |
| Date: 13.08.2017        | Copyright: Trenz Electronic GmbH / TT | Page1 of 28 |
| Filename: TE0808.SchDoc |                                       |             |

1

2

3

4



|                              |                                       |       |       |
|------------------------------|---------------------------------------|-------|-------|
| Title: TE0808 - Connector J1 |                                       |       |       |
| A4                           | Number: TE0808<br>09EG-1EE            | Rev.  | 04    |
| Date: 13.08.2017             | Copyright: Trenz Electronic GmbH / TT | Page2 | of 28 |
| Filename: J1.SchDoc          |                                       |       |       |

1

2

3

4

A

A

B

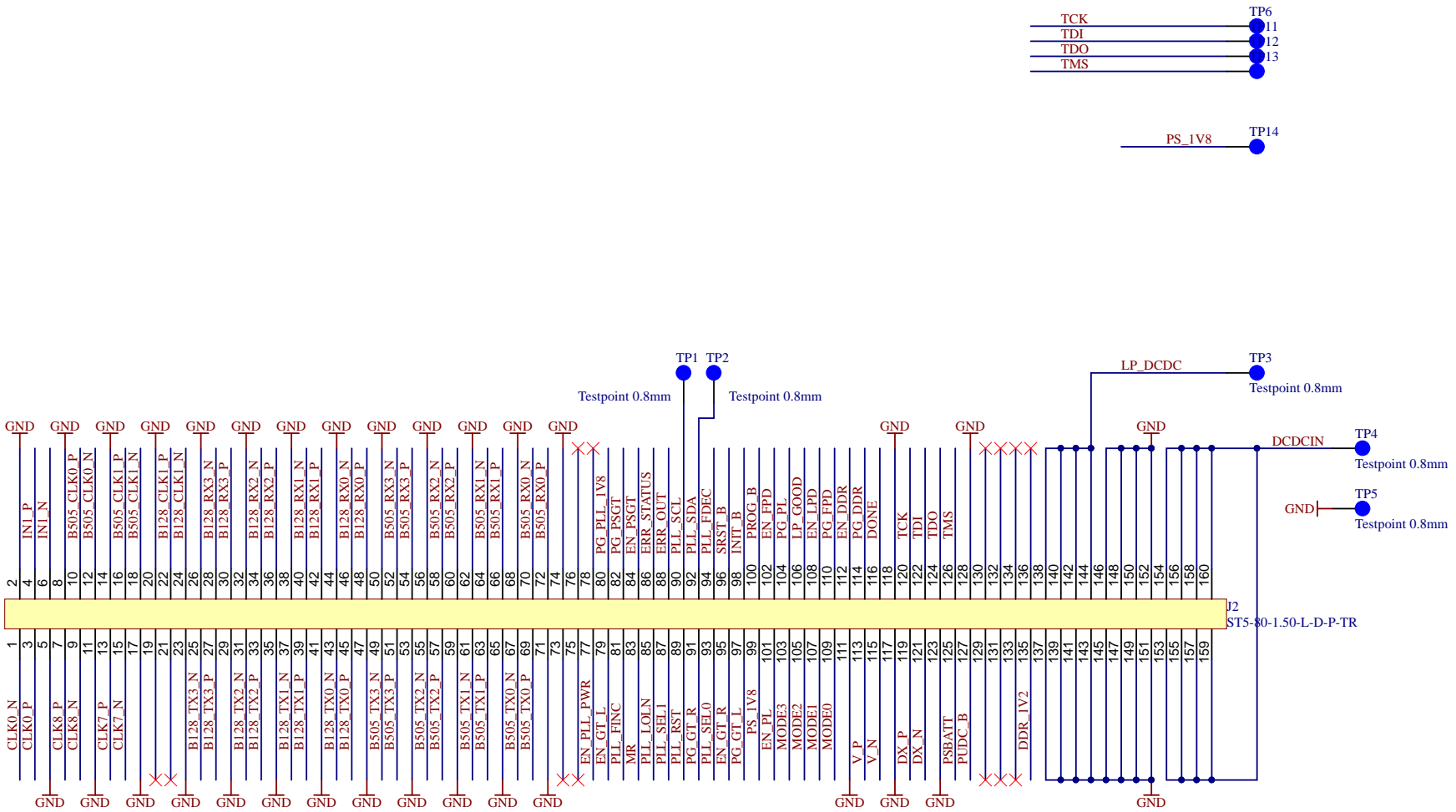
B

C

C

D

D



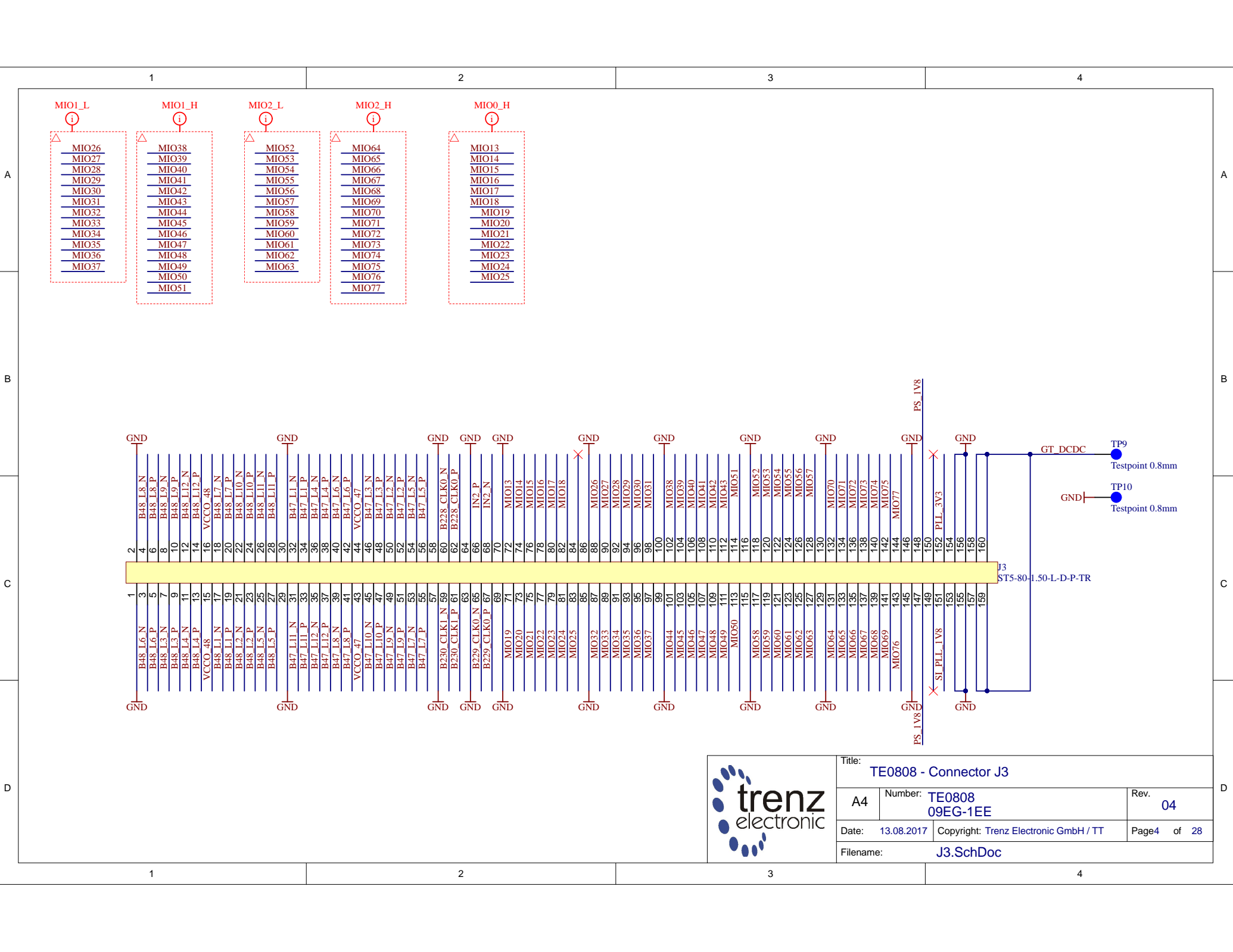
|                              |                                       |             |
|------------------------------|---------------------------------------|-------------|
| Title: TE0808 - Connector J2 |                                       |             |
| A4                           | Number: TE0808<br>09EG-1EE            | Rev. 04     |
| Date: 13.08.2017             | Copyright: Trenz Electronic GmbH / TT | Page3 of 28 |
| Filename: J2.SchDoc          |                                       |             |

1

2

3

4



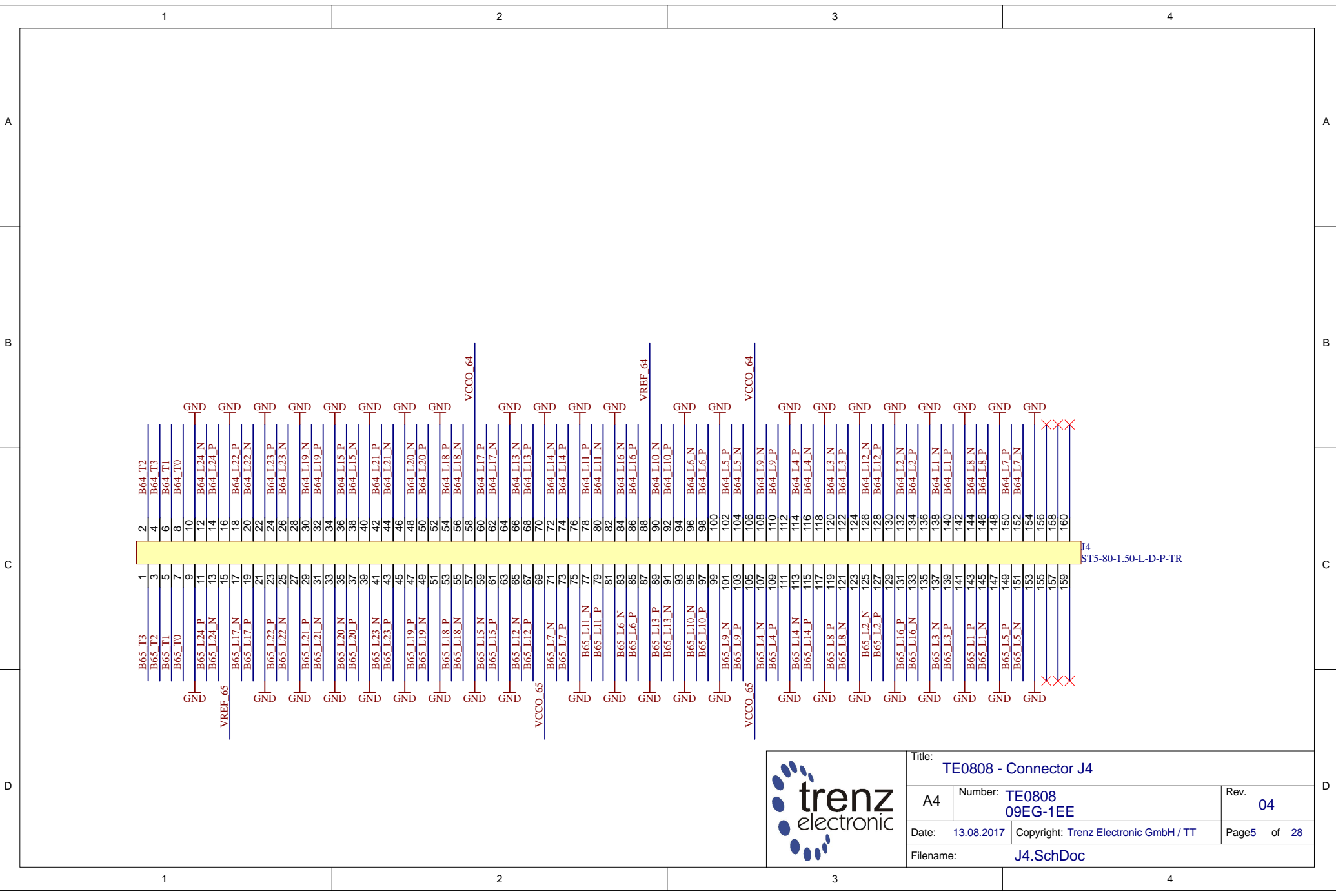
|                              |                                       |             |
|------------------------------|---------------------------------------|-------------|
| Title: TE0808 - Connector J3 |                                       |             |
| A4                           | Number: TE0808<br>09EG-1EE            | Rev. 04     |
| Date: 13.08.2017             | Copyright: Trenz Electronic GmbH / TT | Page4 of 28 |
| Filename: J3.SchDoc          |                                       |             |


1

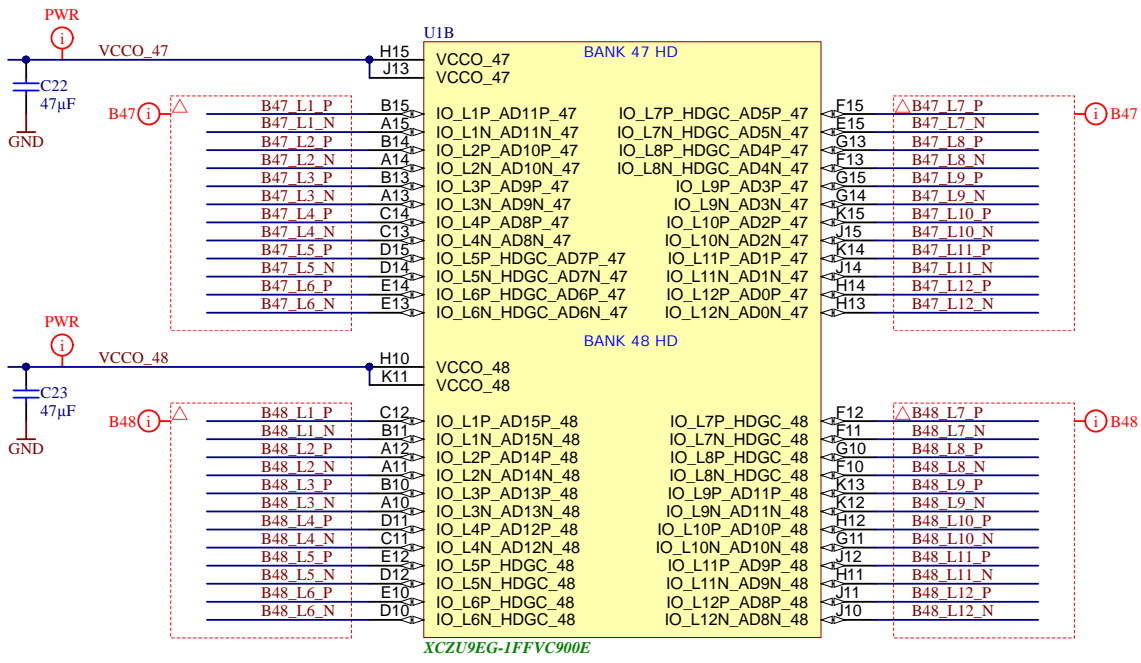
2

3

4



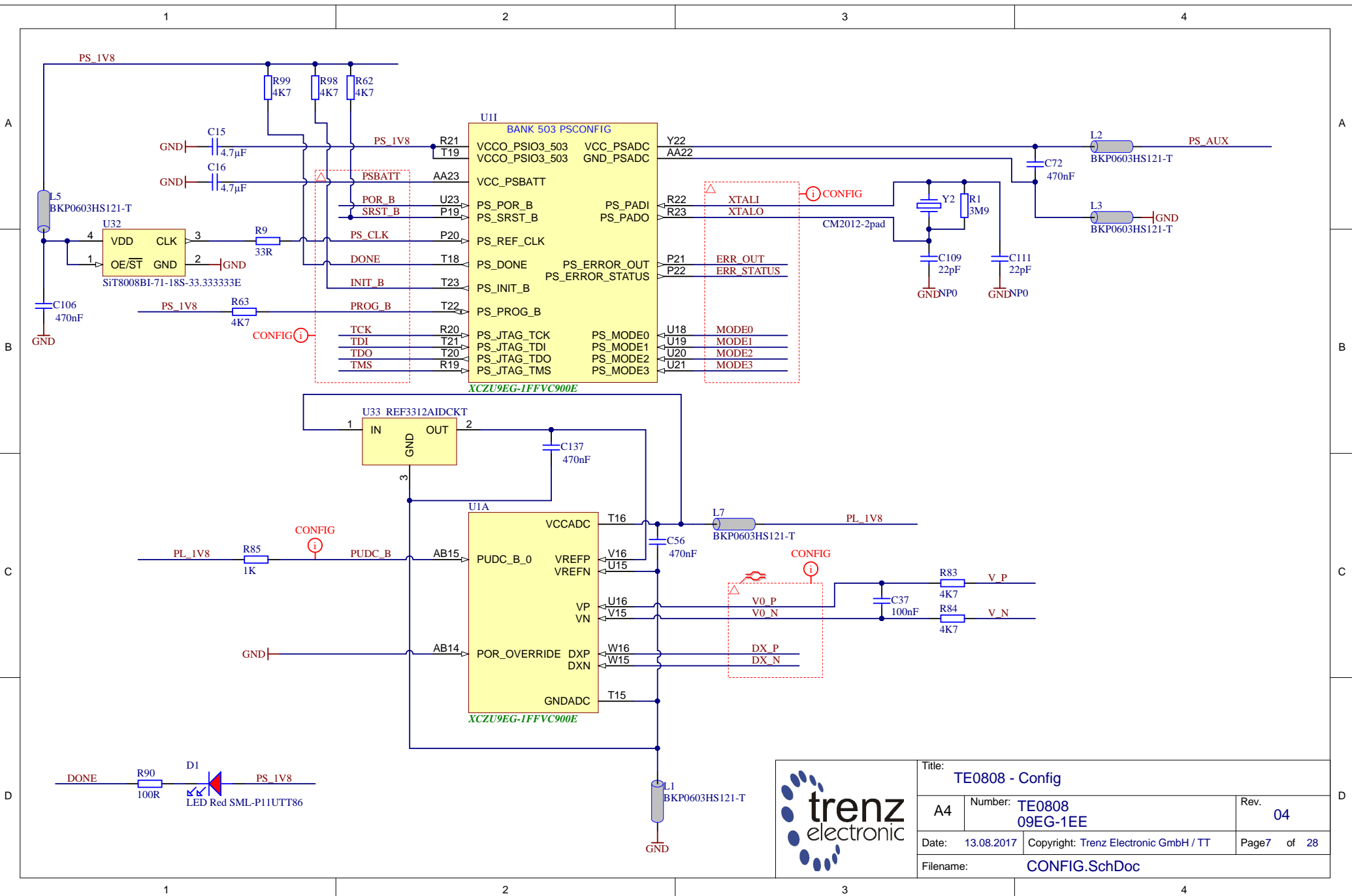
|   |                                     |  |                    |
|---|-------------------------------------|--|--------------------|
|  | Title: <b>TE0808 - Connector J4</b> |  |                    |
|   | A4                                  | Number: <b>TE0808<br/>09EG-1EE</b>           | Rev. <b>04</b>     |
|   | Date: <b>13.08.2017</b>             | Copyright: <b>Trenz Electronic GmbH / TT</b> | Page5 of <b>28</b> |
|   | Filename: <b>J4.SchDoc</b>          |  |                    |



XCZU9EG-1FFVC900E



|                                 |                                       |             |
|---------------------------------|---------------------------------------|-------------|
| Title: TE0808 - B47HD and B48HD |                                       |             |
| A4                              | Number: TE0808 09EG-1EE               | Rev. 04     |
| Date: 13.08.2017                | Copyright: Trenz Electronic GmbH / TT | Page6 of 28 |
| Filename: B_HD.SchDoc           |                                       |             |



|                         |                                       |              |
|-------------------------|---------------------------------------|--------------|
| Title: TE0808 - Config  |                                       |              |
| A4                      | Number: TE0808 09EG-1EE               | Rev. 04      |
| Date: 13.08.2017        | Copyright: Trenz Electronic GmbH / TT | Page 7 of 28 |
| Filename: CONFIG.SchDoc |                                       |              |



1

2

3

4

A

A

B

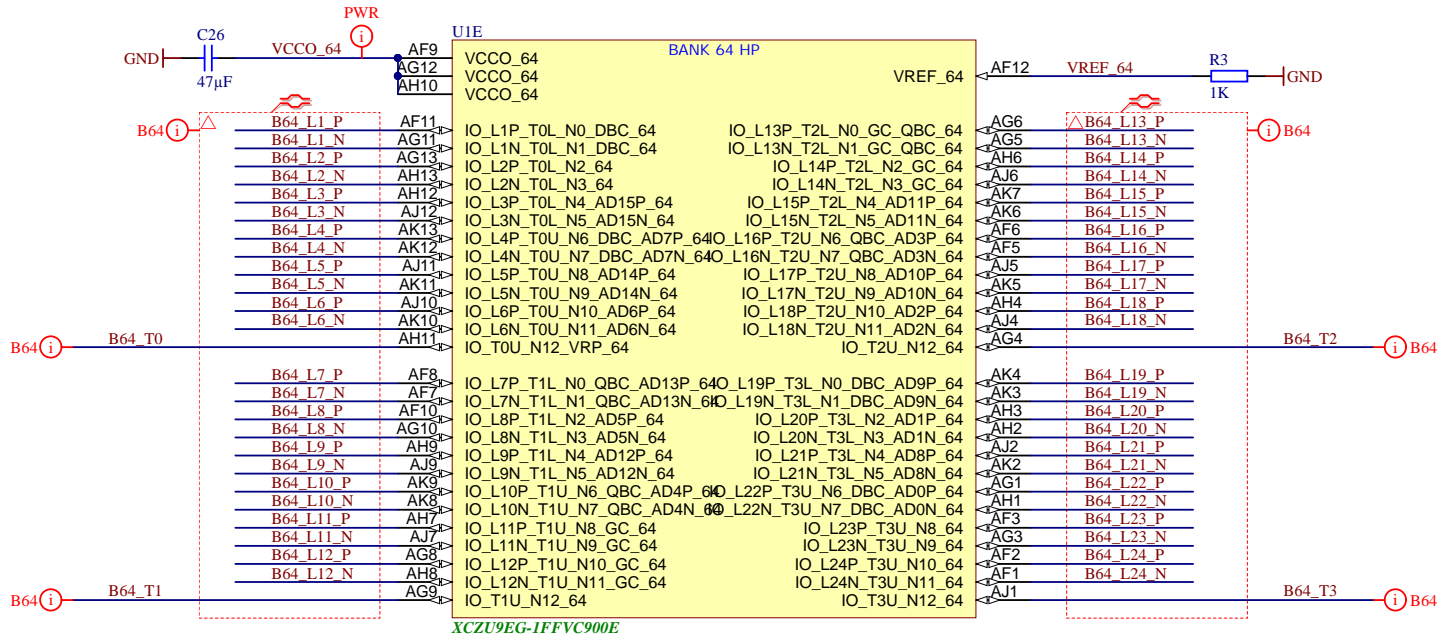

B

C

C

D

D

|                      |                                       |             |
|----------------------|---------------------------------------|-------------|
| Title: TE0808 - B64  |                                       |             |
| A4                   | Number: TE0808 09EG-1EE               | Rev. 04     |
| Date: 13.08.2017     | Copyright: Trenz Electronic GmbH / TT | Page8 of 28 |
| Filename: B64.SchDoc |                                       |             |

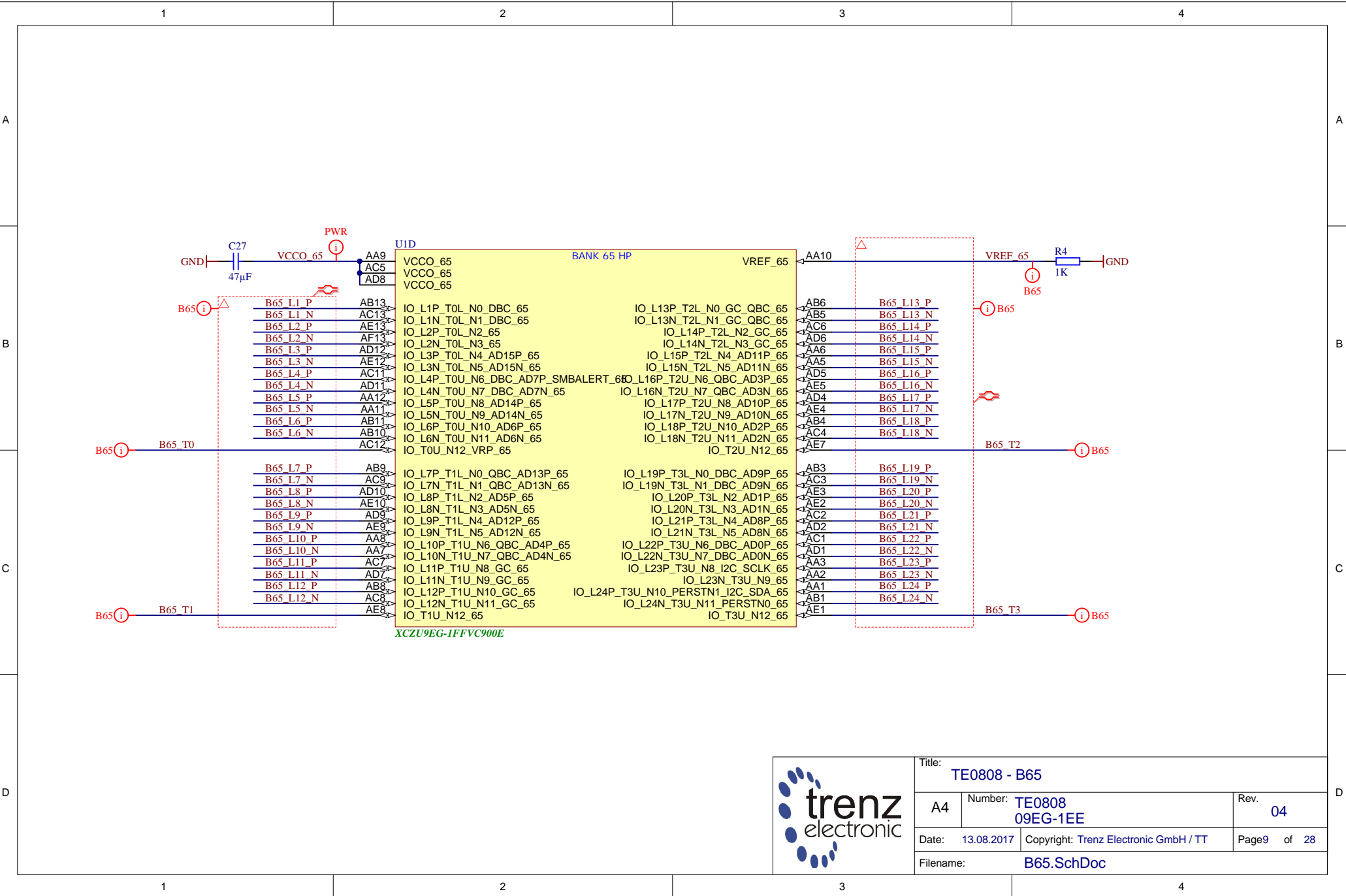
1

2

3

4





|                      |                                       |             |
|----------------------|---------------------------------------|-------------|
| Title: TE0808 - B65  |                                       |             |
| A4                   | Number: TE0808<br>09EG-1EE            | Rev. 04     |
| Date: 13.08.2017     | Copyright: Trenz Electronic GmbH / TT | Page9 of 28 |
| Filename: B65.SchDoc |                                       |             |

1

2

3

4

A

A

B

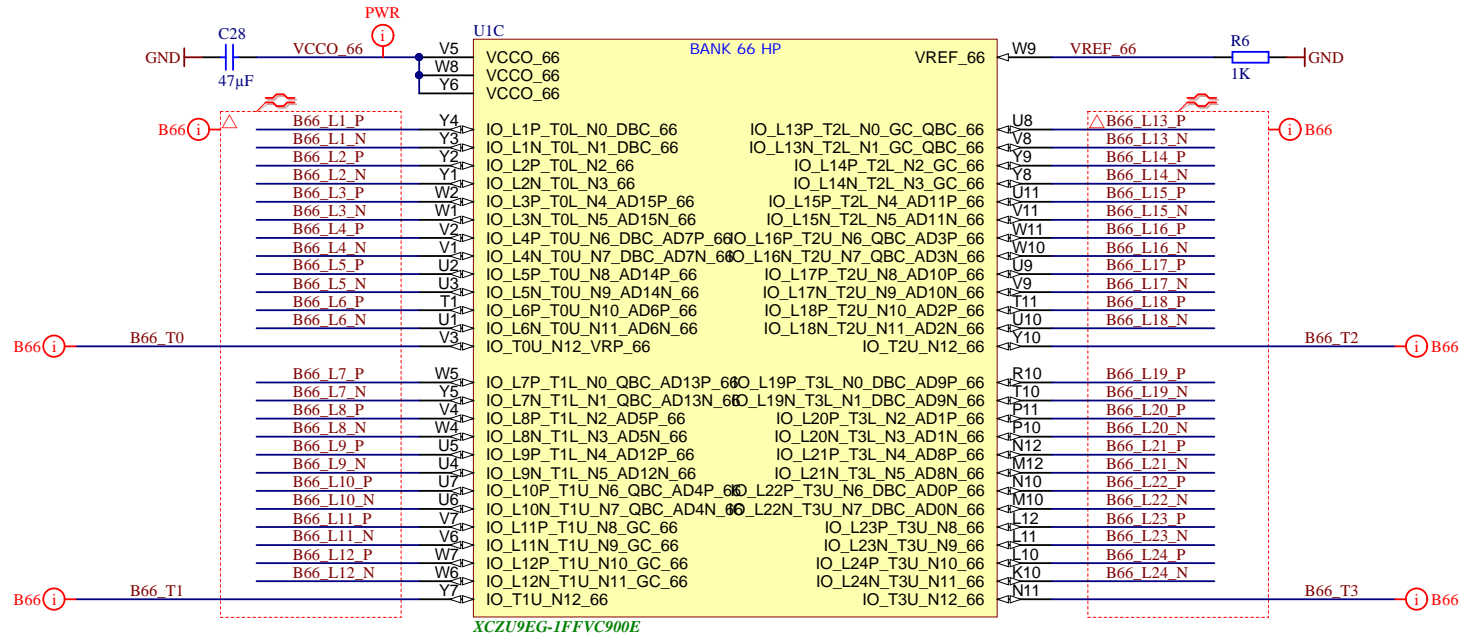
B

C

C

D

D



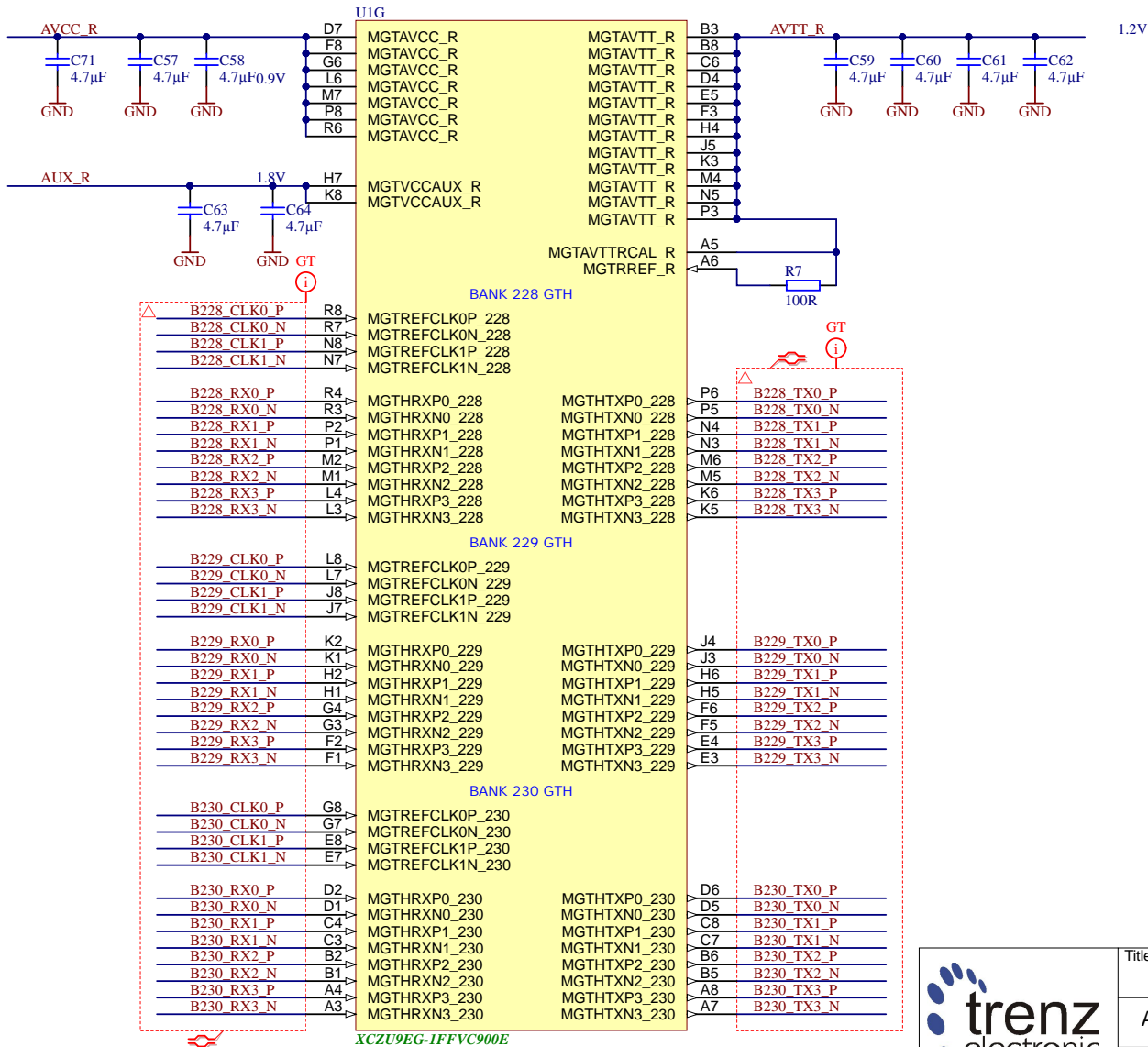

|                      |                                       |               |
|----------------------|---------------------------------------|---------------|
| Title: TE0808 - B66  |                                       |               |
| A4                   | Number: TE0808<br>09EG-1EE            | Rev. 04       |
| Date: 13.08.2017     | Copyright: Trenz Electronic GmbH / TT | Page 10 of 28 |
| Filename: B66.SchDoc |                                       |               |

1

2

3

4

|   |                                       |               |
|---|---------------------------------------|---------------|
| Title: TE0808 - B228GTH_B229GTH_B230GTH |                                       |               |
| A4                                      | Number: TE0808 09EG-1EE               | Rev. 04       |
| Date: 13.08.2017                        | Copyright: Trenz Electronic GmbH / TT | Page 11 of 28 |
| Filename: B_GT.SchDoc                   |                                       |               |

1

2

3

4

A

A

B

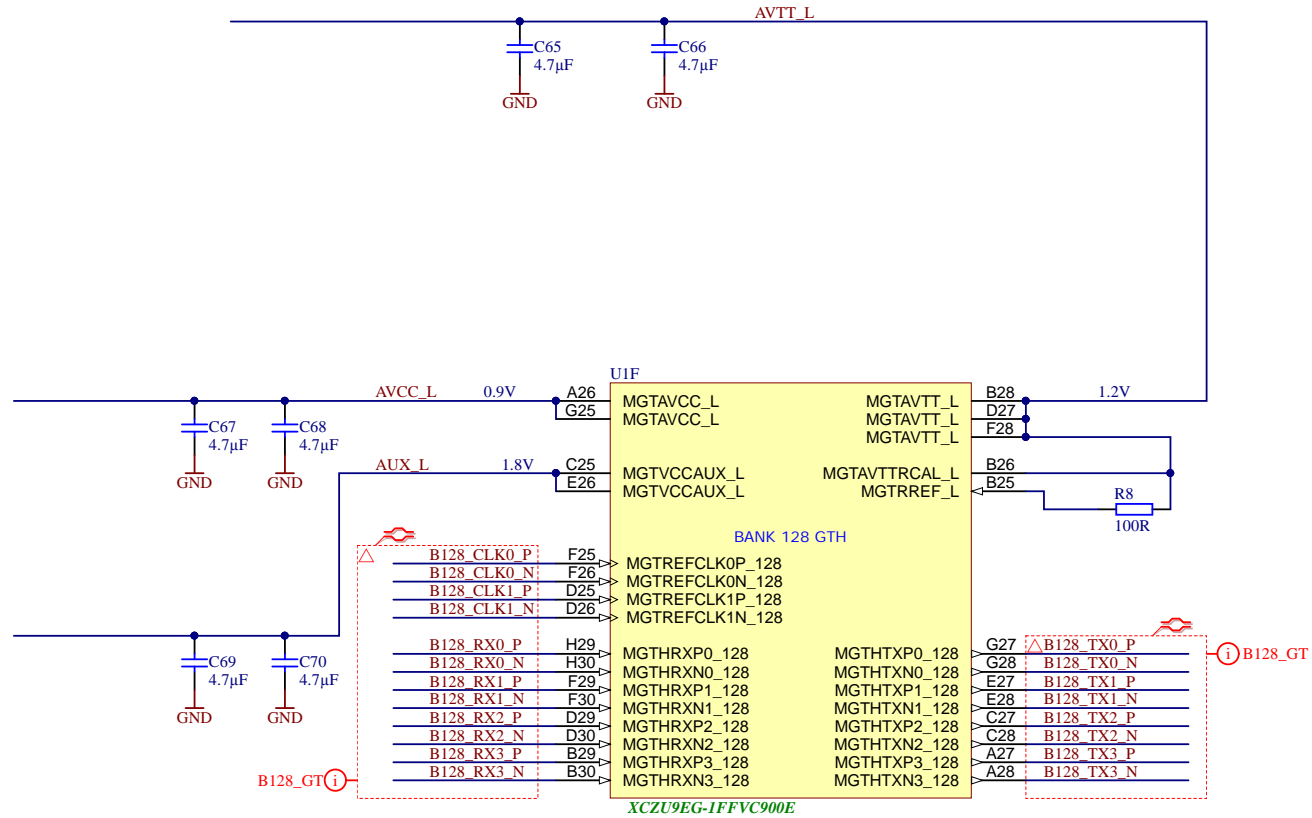
B

C

C

D

D



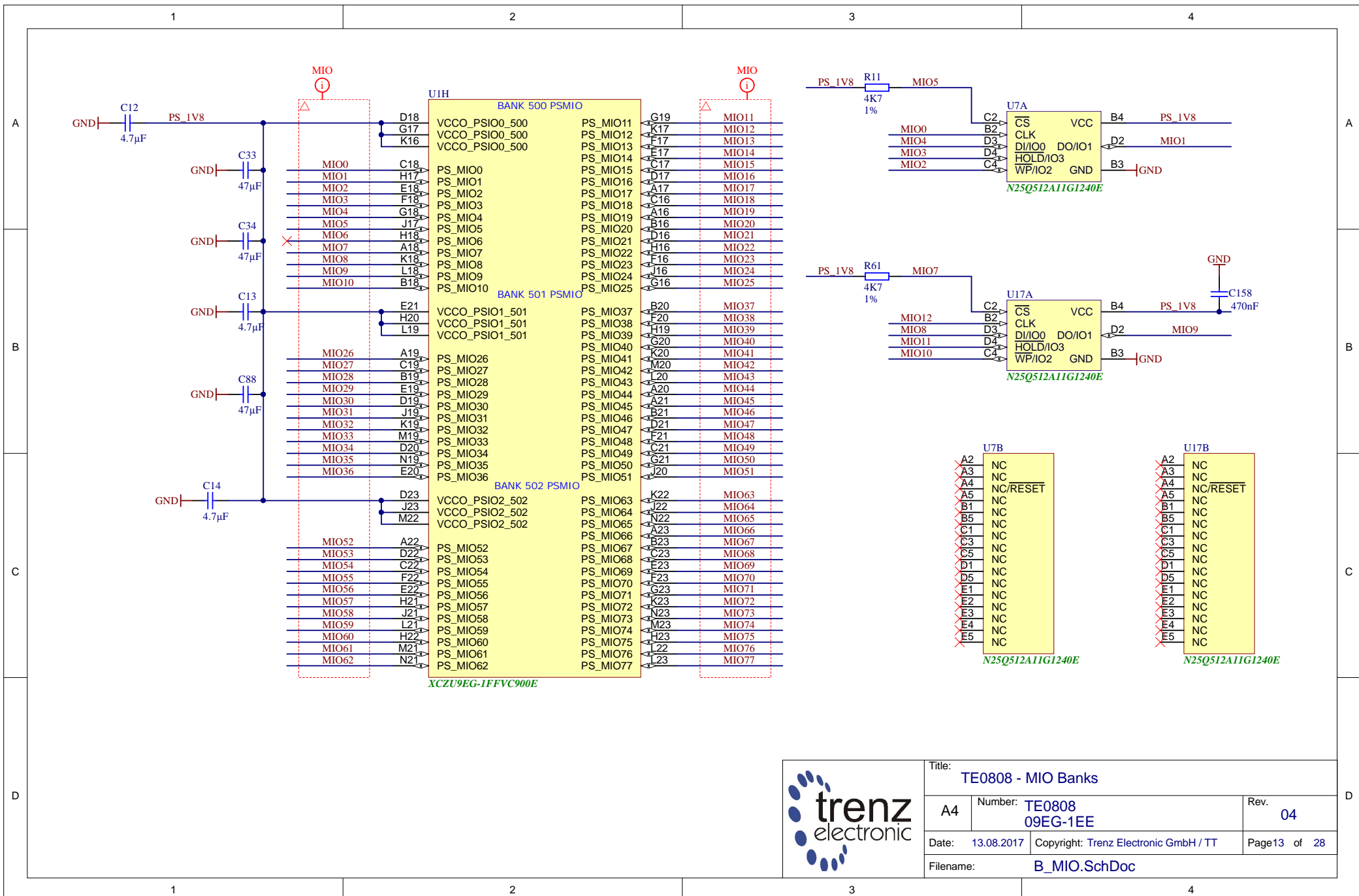
|                         |                                       |               |
|-------------------------|---------------------------------------|---------------|
| Title: TE0808 - B128GTH |                                       |               |
| A4                      | Number: TE0808<br>09EG-1EE            | Rev. 04       |
| Date: 13.08.2017        | Copyright: Trenz Electronic GmbH / TT | Page 12 of 28 |
| Filename: B_GT_2.SchDoc |                                       |               |

1

2

3

4



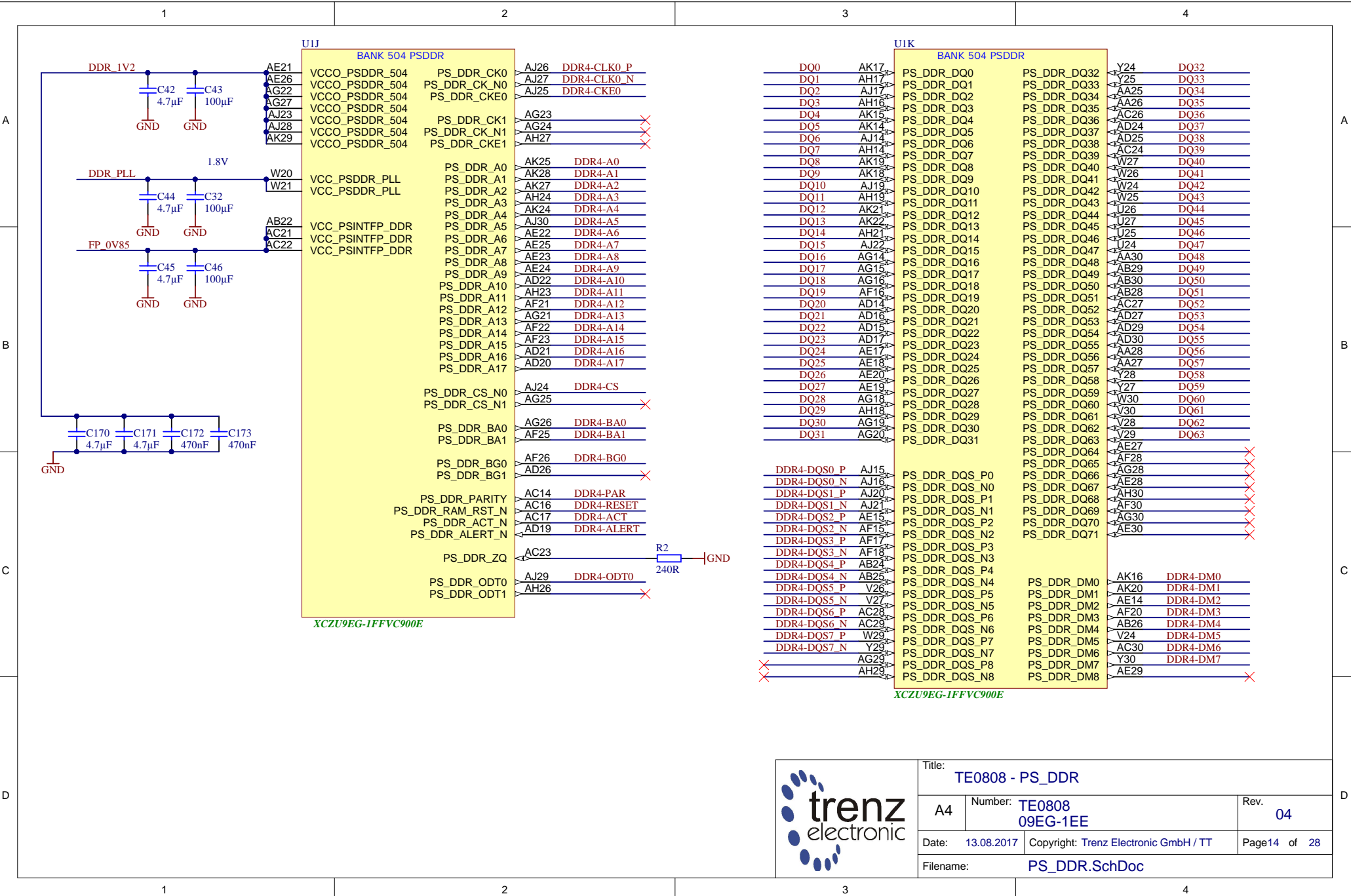
|   |  |                                       |                           |                         |
|---|--|---------------------------------------|---------------------------|-------------------------|
|  |  |                                       | Title: TE0808 - MIO Banks |                         |
|   |  |                                       | A4                        | Number: TE0808 09EG-1EE |
| Date: 13.08.2017  |  | Copyright: Trenz Electronic GmbH / TT |                           | Page13 of 28            |
| Filename: B_MIO.SchDoc  |  |                                       |                           |                         |

1

2

3

4



**UIJ BANK 504 PSDDR**

|                |                  |      |             |
|----------------|------------------|------|-------------|
| VCCO_PSDDR_504 | PS_DDR_CK0       | AJ26 | DDR4-CLK0_P |
| VCCO_PSDDR_504 | PS_DDR_CK_N0     | AJ27 | DDR4-CLK0_N |
| VCCO_PSDDR_504 | PS_DDR_CKE0      | AJ25 | DDR4-CKE0   |
| VCCO_PSDDR_504 |                  | AG23 |             |
| VCCO_PSDDR_504 | PS_DDR_CK1       | AG24 |             |
| VCCO_PSDDR_504 | PS_DDR_CK_N1     | AH27 |             |
| VCCO_PSDDR_504 |                  | AH27 |             |
|                | PS_DDR_A0        | AK25 | DDR4-A0     |
|                | PS_DDR_A1        | AK28 | DDR4-A1     |
|                | PS_DDR_A2        | AK27 | DDR4-A2     |
|                | PS_DDR_A3        | AH24 | DDR4-A3     |
|                | PS_DDR_A4        | AK24 | DDR4-A4     |
|                | PS_DDR_A5        | AJ30 | DDR4-A5     |
|                | PS_DDR_A6        | AE22 | DDR4-A6     |
|                | PS_DDR_A7        | AE25 | DDR4-A7     |
|                | PS_DDR_A8        | AE23 | DDR4-A8     |
|                | PS_DDR_A9        | AE24 | DDR4-A9     |
|                | PS_DDR_A10       | AD22 | DDR4-A10    |
|                | PS_DDR_A11       | AH23 | DDR4-A11    |
|                | PS_DDR_A12       | AF21 | DDR4-A12    |
|                | PS_DDR_A13       | AG21 | DDR4-A13    |
|                | PS_DDR_A14       | AF22 | DDR4-A14    |
|                | PS_DDR_A15       | AF23 | DDR4-A15    |
|                | PS_DDR_A16       | AD21 | DDR4-A16    |
|                | PS_DDR_A17       | AD20 | DDR4-A17    |
|                | PS_DDR_CS_N0     | AJ24 | DDR4-CS     |
|                | PS_DDR_CS_N1     | AG25 |             |
|                | PS_DDR_BA0       | AG26 | DDR4-BA0    |
|                | PS_DDR_BA1       | AF25 | DDR4-BA1    |
|                | PS_DDR_BG0       | AF26 | DDR4-BG0    |
|                | PS_DDR_BG1       | AD26 |             |
|                | PS_DDR_PARITY    | AC14 | DDR4-PAR    |
|                | PS_DDR_RAM_RST_N | AC16 | DDR4-RESET  |
|                | PS_DDR_ACT_N     | AC17 | DDR4-ACT    |
|                | PS_DDR_ALERT_N   | AD19 | DDR4-ALERT  |
|                | PS_DDR_ZQ        | AC23 |             |
|                | PS_DDR_ODT0      | AJ29 | DDR4-ODT0   |
|                | PS_DDR_ODT1      | AH26 |             |

XCZU9EG-1FFVC900E

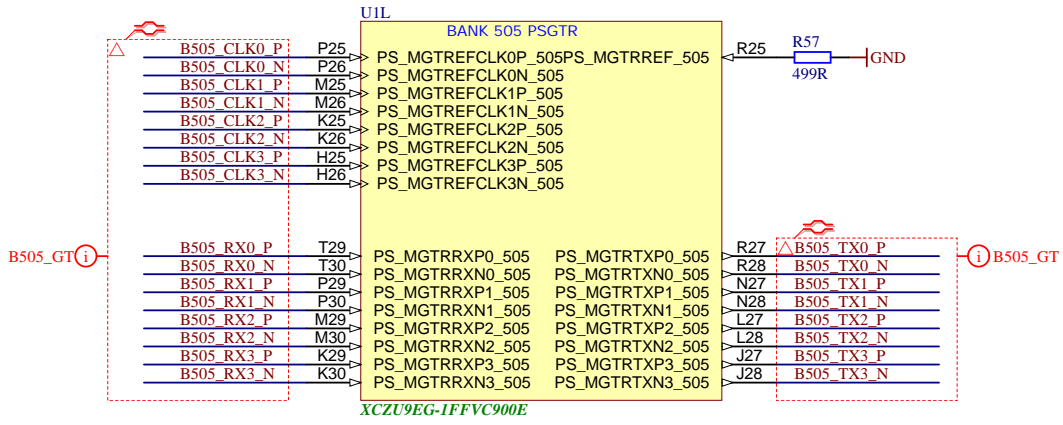
**UIK BANK 504 PSDDR**


|               |      |               |             |      |          |
|---------------|------|---------------|-------------|------|----------|
| PS_DDR_DQ0    | AK17 | PS_DDR_DQ0    | PS_DDR_DQ32 | Y24  | DQ32     |
| PS_DDR_DQ1    | AH17 | PS_DDR_DQ1    | PS_DDR_DQ33 | Y25  | DQ33     |
| PS_DDR_DQ2    | AJ17 | PS_DDR_DQ2    | PS_DDR_DQ34 | AA25 | DQ34     |
| PS_DDR_DQ3    | AH16 | PS_DDR_DQ3    | PS_DDR_DQ35 | AA26 | DQ35     |
| PS_DDR_DQ4    | AK15 | PS_DDR_DQ4    | PS_DDR_DQ36 | AC26 | DQ36     |
| PS_DDR_DQ5    | AK14 | PS_DDR_DQ5    | PS_DDR_DQ37 | AD24 | DQ37     |
| PS_DDR_DQ6    | AJ14 | PS_DDR_DQ6    | PS_DDR_DQ38 | AD25 | DQ38     |
| PS_DDR_DQ7    | AH14 | PS_DDR_DQ7    | PS_DDR_DQ39 | AC24 | DQ39     |
| PS_DDR_DQ8    | AK19 | PS_DDR_DQ8    | PS_DDR_DQ40 | W27  | DQ40     |
| PS_DDR_DQ9    | AK18 | PS_DDR_DQ9    | PS_DDR_DQ41 | W26  | DQ41     |
| PS_DDR_DQ10   | AJ19 | PS_DDR_DQ10   | PS_DDR_DQ42 | W24  | DQ42     |
| PS_DDR_DQ11   | AH19 | PS_DDR_DQ11   | PS_DDR_DQ43 | W25  | DQ43     |
| PS_DDR_DQ12   | AK21 | PS_DDR_DQ12   | PS_DDR_DQ44 | U26  | DQ44     |
| PS_DDR_DQ13   | AK22 | PS_DDR_DQ13   | PS_DDR_DQ45 | U27  | DQ45     |
| PS_DDR_DQ14   | AH21 | PS_DDR_DQ14   | PS_DDR_DQ46 | U25  | DQ46     |
| PS_DDR_DQ15   | AJ22 | PS_DDR_DQ15   | PS_DDR_DQ47 | U24  | DQ47     |
| PS_DDR_DQ16   | AG14 | PS_DDR_DQ16   | PS_DDR_DQ48 | AA30 | DQ48     |
| PS_DDR_DQ17   | AG15 | PS_DDR_DQ17   | PS_DDR_DQ49 | AB29 | DQ49     |
| PS_DDR_DQ18   | AG16 | PS_DDR_DQ18   | PS_DDR_DQ50 | AB30 | DQ50     |
| PS_DDR_DQ19   | AF16 | PS_DDR_DQ19   | PS_DDR_DQ51 | AB28 | DQ51     |
| PS_DDR_DQ20   | AD14 | PS_DDR_DQ20   | PS_DDR_DQ52 | AC27 | DQ52     |
| PS_DDR_DQ21   | AD16 | PS_DDR_DQ21   | PS_DDR_DQ53 | AD27 | DQ53     |
| PS_DDR_DQ22   | AD15 | PS_DDR_DQ22   | PS_DDR_DQ54 | AD29 | DQ54     |
| PS_DDR_DQ23   | AD17 | PS_DDR_DQ23   | PS_DDR_DQ55 | AD30 | DQ55     |
| PS_DDR_DQ24   | AE17 | PS_DDR_DQ24   | PS_DDR_DQ56 | AA28 | DQ56     |
| PS_DDR_DQ25   | AE18 | PS_DDR_DQ25   | PS_DDR_DQ57 | AA27 | DQ57     |
| PS_DDR_DQ26   | AE20 | PS_DDR_DQ26   | PS_DDR_DQ58 | Y28  | DQ58     |
| PS_DDR_DQ27   | AE19 | PS_DDR_DQ27   | PS_DDR_DQ59 | Y27  | DQ59     |
| PS_DDR_DQ28   | AG18 | PS_DDR_DQ28   | PS_DDR_DQ60 | W30  | DQ60     |
| PS_DDR_DQ29   | AH18 | PS_DDR_DQ29   | PS_DDR_DQ61 | V30  | DQ61     |
| PS_DDR_DQ30   | AG19 | PS_DDR_DQ30   | PS_DDR_DQ62 | V28  | DQ62     |
| PS_DDR_DQ31   | AG20 | PS_DDR_DQ31   | PS_DDR_DQ63 | V29  | DQ63     |
| PS_DDR_DQS_P0 | AJ15 | PS_DDR_DQS_P0 | PS_DDR_DQ64 | AE27 |          |
| PS_DDR_DQS_N0 | AJ16 | PS_DDR_DQS_N0 | PS_DDR_DQ65 | AF27 |          |
| PS_DDR_DQS_P1 | AJ20 | PS_DDR_DQS_P1 | PS_DDR_DQ66 | AG28 |          |
| PS_DDR_DQS_N1 | AJ21 | PS_DDR_DQS_N1 | PS_DDR_DQ67 | AE28 |          |
| PS_DDR_DQS_P2 | AE15 | PS_DDR_DQS_P2 | PS_DDR_DQ68 | AH30 |          |
| PS_DDR_DQS_N2 | AF15 | PS_DDR_DQS_N2 | PS_DDR_DQ69 | AF30 |          |
| PS_DDR_DQS_P3 | AF17 | PS_DDR_DQS_P3 | PS_DDR_DQ70 | AG30 |          |
| PS_DDR_DQS_N3 | AF18 | PS_DDR_DQS_N3 | PS_DDR_DQ71 | AE30 |          |
| PS_DDR_DQS_P4 | AB24 | PS_DDR_DQS_P4 |             |      |          |
| PS_DDR_DQS_N4 | AB25 | PS_DDR_DQS_N4 | PS_DDR_DM0  | AK16 | DDR4-DM0 |
| PS_DDR_DQS_P5 | V26  | PS_DDR_DQS_P5 | PS_DDR_DM1  | AK20 | DDR4-DM1 |
| PS_DDR_DQS_N5 | V27  | PS_DDR_DQS_N5 | PS_DDR_DM2  | AE14 | DDR4-DM2 |
| PS_DDR_DQS_P6 | AC28 | PS_DDR_DQS_P6 | PS_DDR_DM3  | AF20 | DDR4-DM3 |
| PS_DDR_DQS_N6 | AC29 | PS_DDR_DQS_N6 | PS_DDR_DM4  | AB26 | DDR4-DM4 |
| PS_DDR_DQS_P7 | W29  | PS_DDR_DQS_P7 | PS_DDR_DM5  | V24  | DDR4-DM5 |
| PS_DDR_DQS_N7 | Y29  | PS_DDR_DQS_N7 | PS_DDR_DM6  | AC30 | DDR4-DM6 |
| PS_DDR_DQS_P8 | AG29 | PS_DDR_DQS_P8 | PS_DDR_DM7  | Y30  | DDR4-DM7 |
| PS_DDR_DQS_N8 | AH29 | PS_DDR_DQS_N8 | PS_DDR_DM8  | AE29 |          |

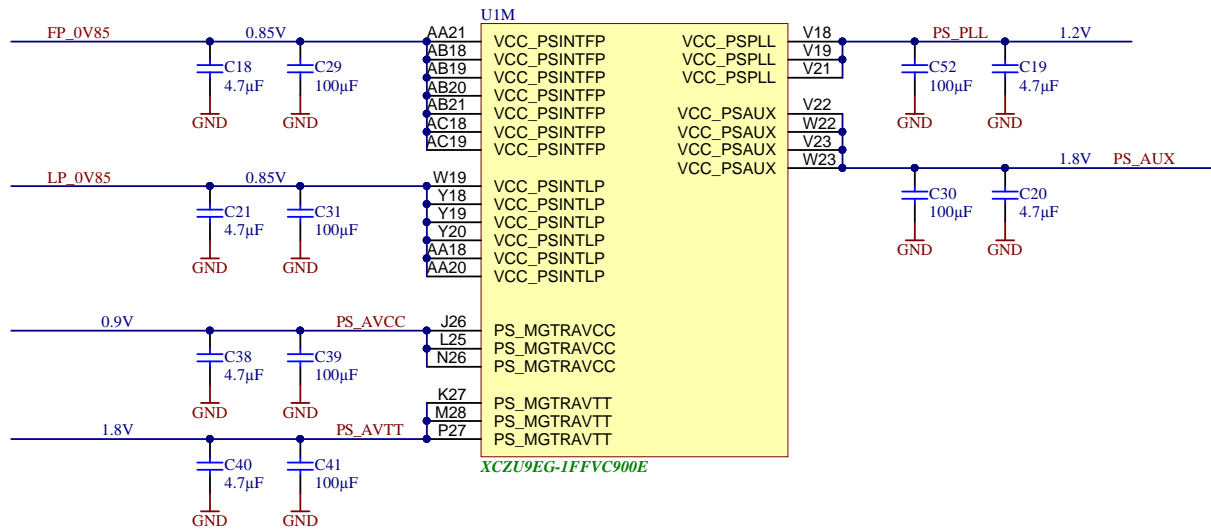
XCZU9EG-1FFVC900E



|                         |                                       |               |  |
|-------------------------|---------------------------------------|---------------|--|
| Title: TE0808 - PS_DDR  |                                       |               |  |
| A4                      | Number: TE0808 09EG-1EE               | Rev. 04       |  |
| Date: 13.08.2017        | Copyright: Trenz Electronic GmbH / TT | Page 14 of 28 |  |
| Filename: PS_DDR.SchDoc |                                       |               |  |

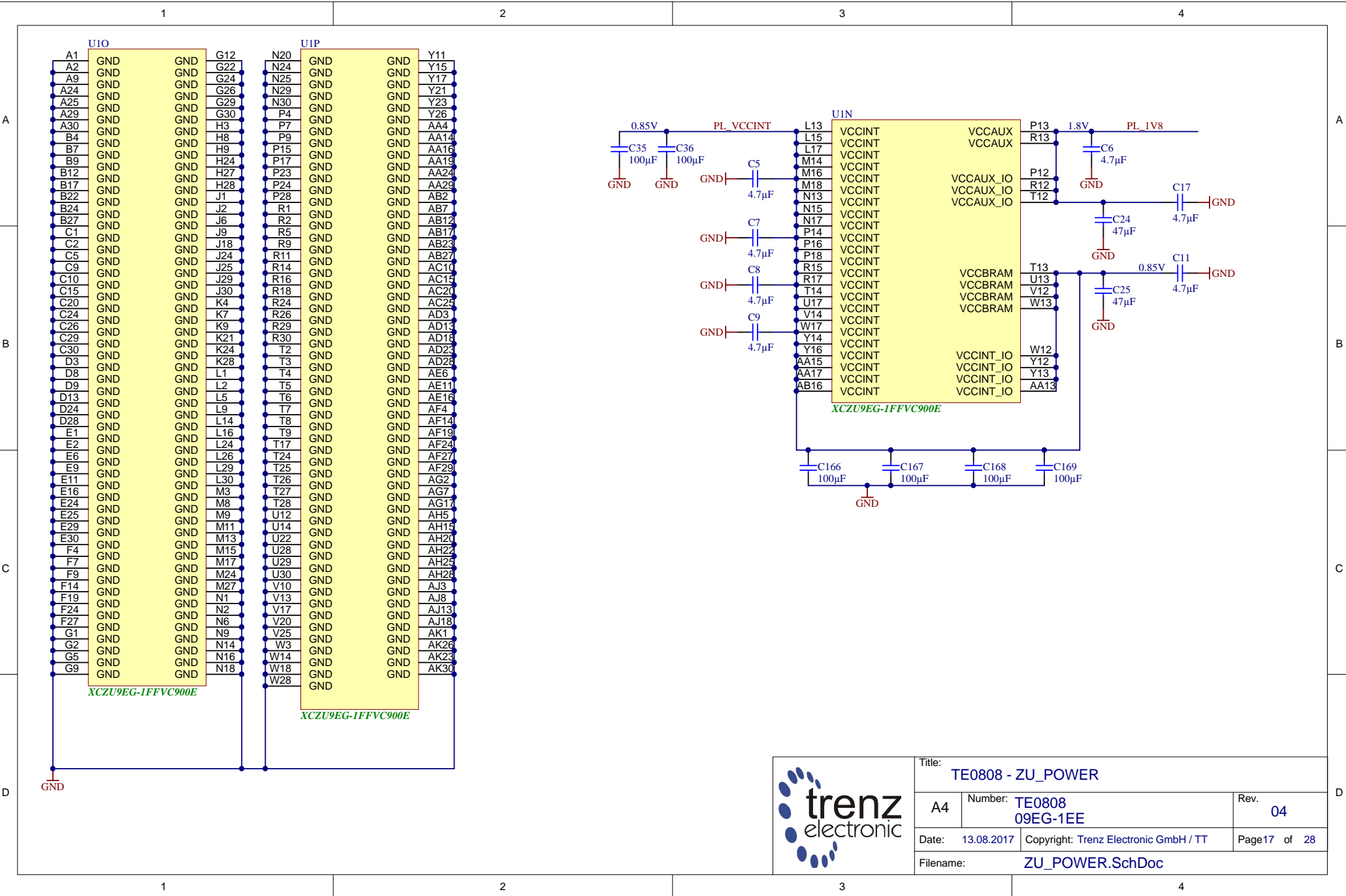


|   |                          |                                       |               |
|---|--------------------------|---------------------------------------|---------------|
|  | Title: TE0808 - PS_GT    |                                       |               |
|   | A4                       | Number: TE0808 09EG-1EE               | Rev. 04       |
|   | Date: 13.08.2017         | Copyright: Trenz Electronic GmbH / TT | Page 15 of 28 |
|   | Filename: B_PS_GT.SchDoc |                                       |               |



|   |  |                                       |                             |                            |
|---|--|---------------------------------------|-----------------------------|----------------------------|
|  |  |                                       | Title: TE0808 - ZU_PS_POWER |                            |
|   |  |                                       | A4                          | Number: TE0808<br>09EG-1EE |
| Date: 13.08.2017  |  | Copyright: Trenz Electronic GmbH / TT |                             | Page16 of 28               |
| Filename: ZU_PS_POWER.SchDoc  |  |                                       |                             |                            |





|                           |                                       |               |
|---------------------------|---------------------------------------|---------------|
| Title: TE0808 - ZU_POWER  |                                       |               |
| A4                        | Number: TE0808<br>09EG-1EE            | Rev. 04       |
| Date: 13.08.2017          | Copyright: Trenz Electronic GmbH / TT | Page 17 of 28 |
| Filename: ZU_POWER.SchDoc |                                       |               |

1

2

3

4

A

A

B

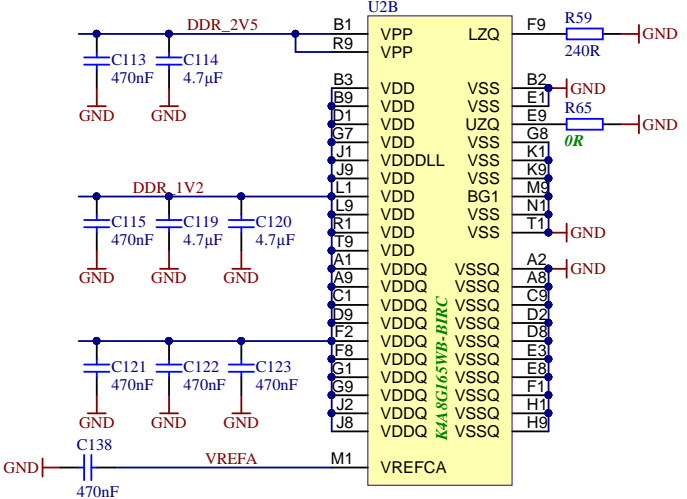
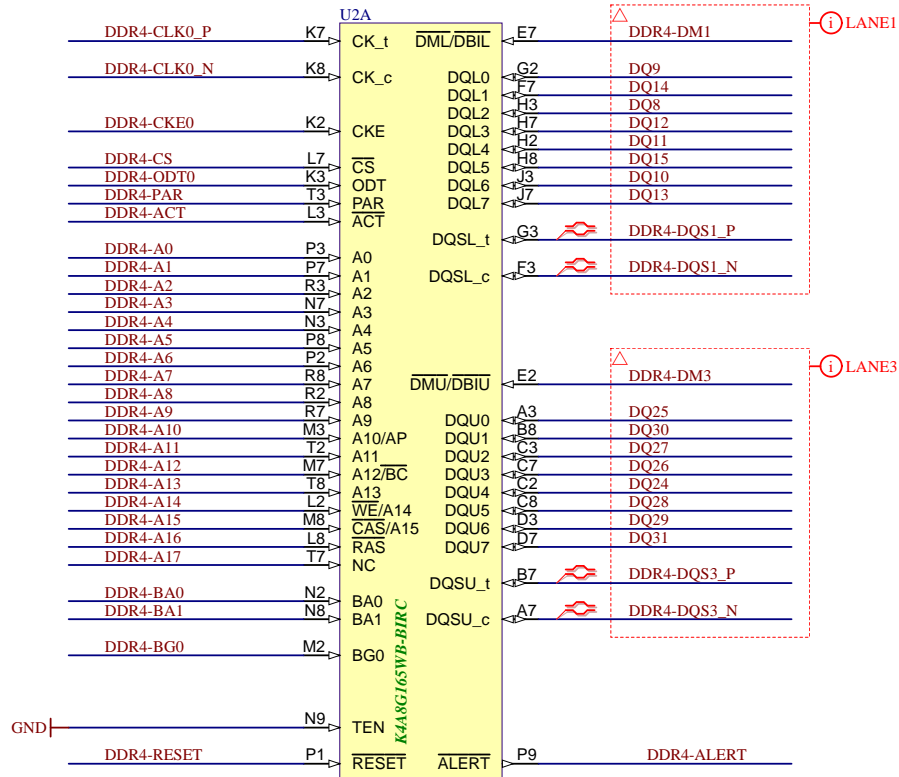
B

C

C

D

D



|                            |                                       |              |
|----------------------------|---------------------------------------|--------------|
| Title: TE0808 - DDR4_1_RAM |                                       |              |
| A4                         | Number: TE0808<br>09EG-1EE            | Rev. 04      |
| Date: 13.08.2017           | Copyright: Trenz Electronic GmbH / TT | Page18 of 28 |
| Filename: DDR4-RAM.SchDoc  |                                       |              |

1

2

3

4

1

2

3

4

A

A

B

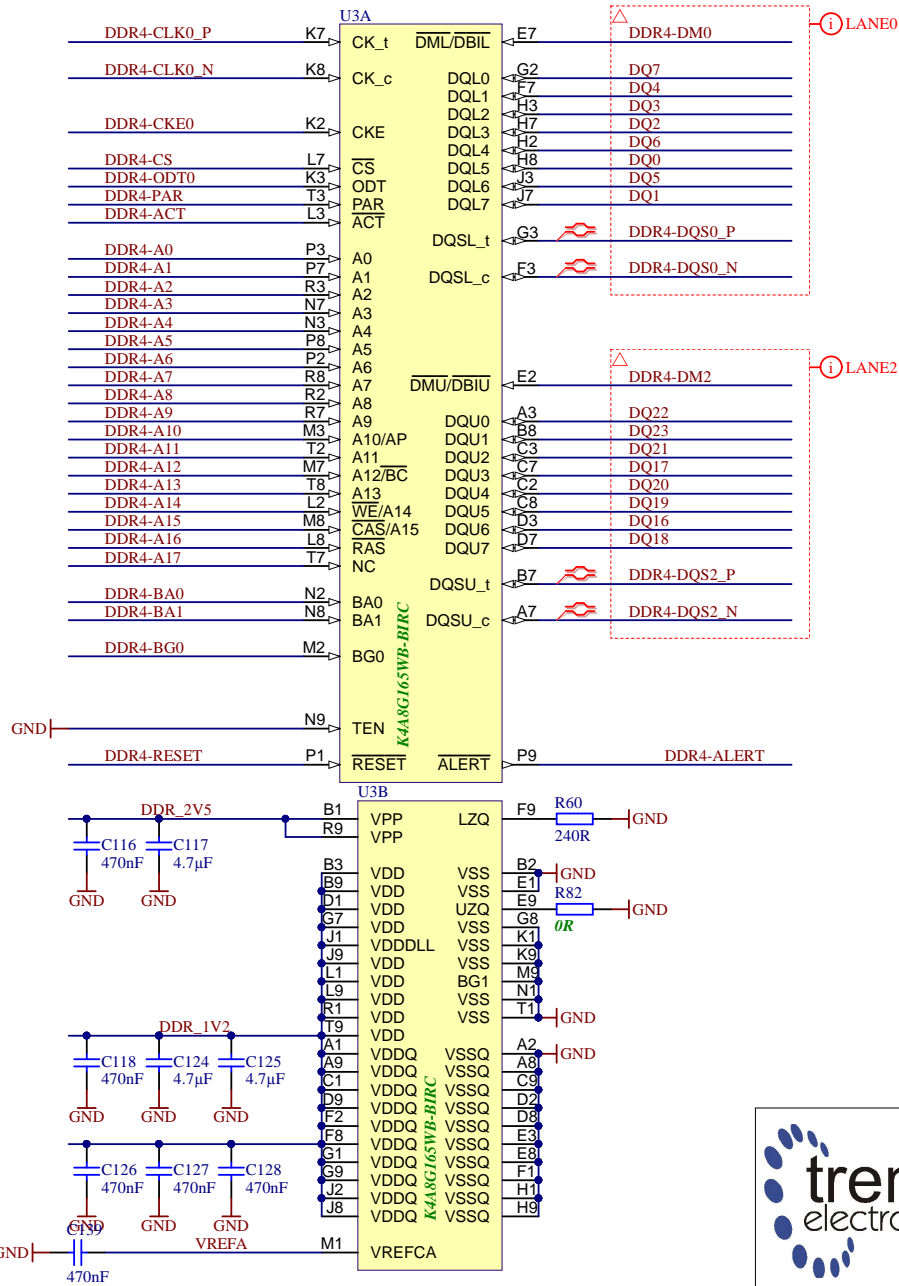
B

C

C

D

D



|                             |                                       |               |
|-----------------------------|---------------------------------------|---------------|
| Title: TE0808 - DDR4_2_RAM  |                                       |               |
| A4                          | Number: TE0808<br>09EG-1EE            | Rev. 04       |
| Date: 13.08.2017            | Copyright: Trenz Electronic GmbH / TT | Page 19 of 28 |
| Filename: DDR4-RAM_2.SchDoc |                                       |               |

1

2

3

4

1

2

3

4

A

A

B

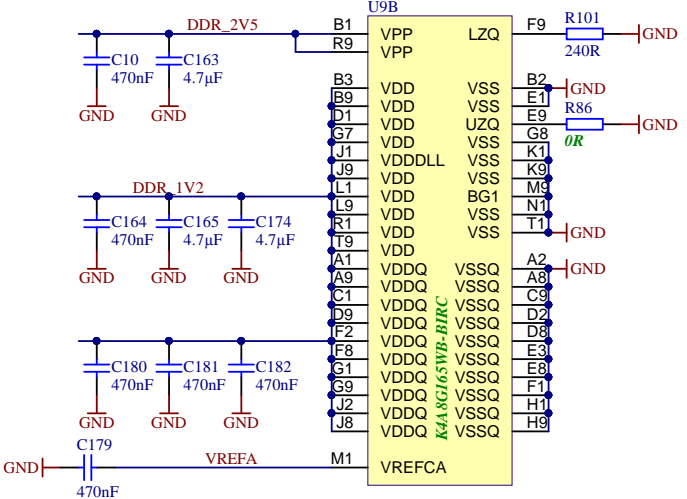
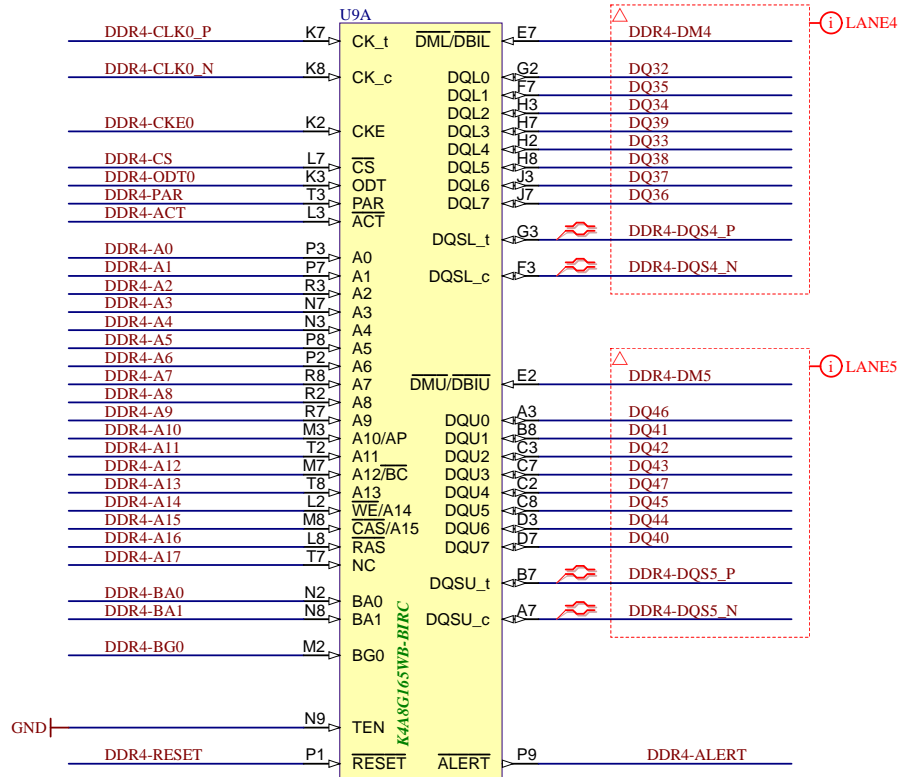
B

C

C

D

D



|                             |                                       |              |
|-----------------------------|---------------------------------------|--------------|
| Title: TE0808 - DDR4_3_RAM  |                                       |              |
| A4                          | Number: TE0808 09EG-1EE               | Rev. 04      |
| Date: 13.08.2017            | Copyright: Trenz Electronic GmbH / TT | Page20 of 28 |
| Filename: DDR4-RAM_3.SchDoc |                                       |              |

1

2

3

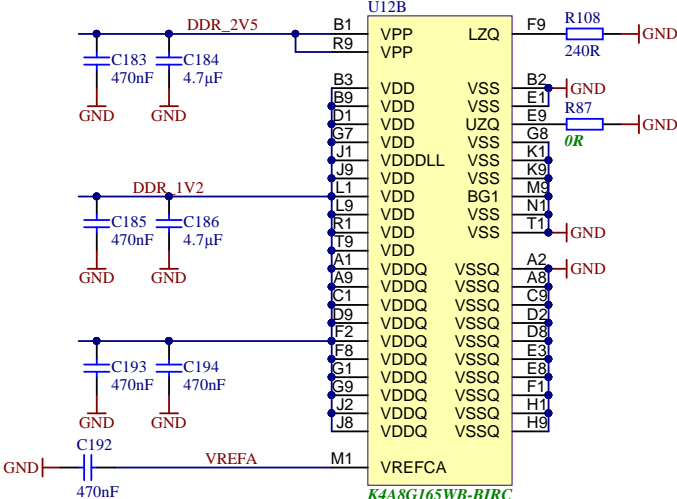
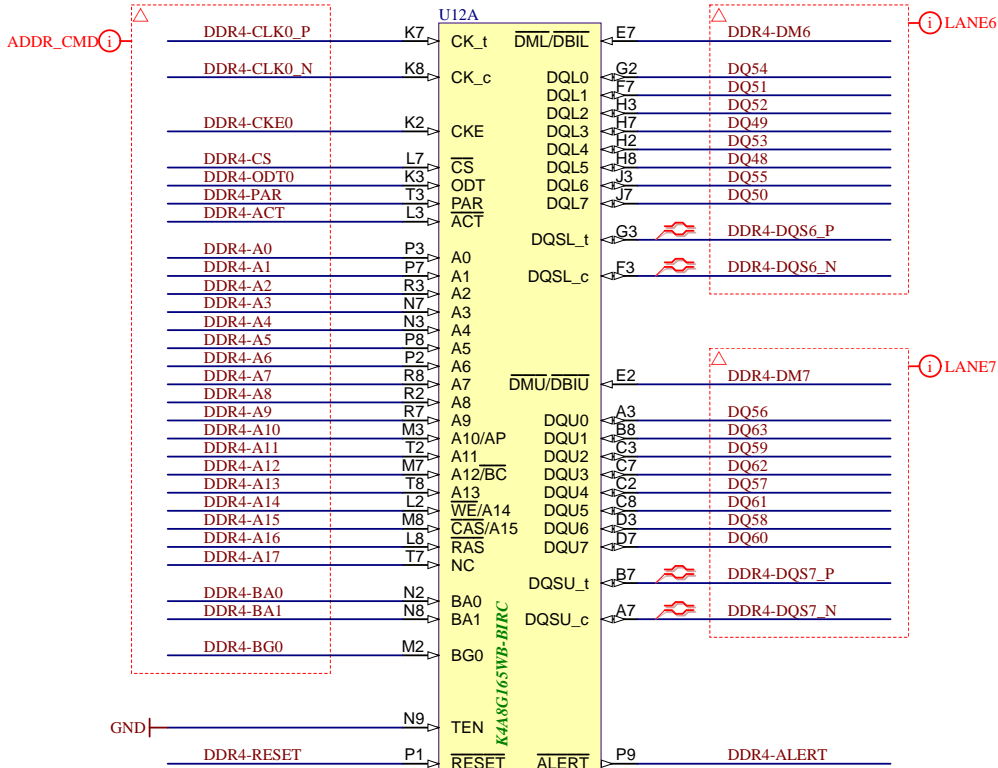
4

1

2

3

4



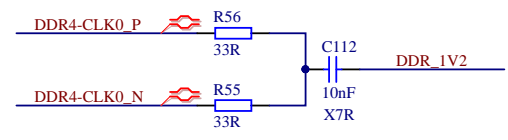
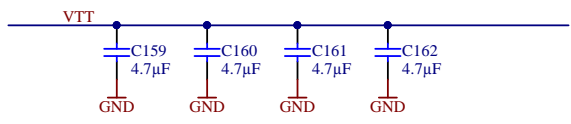
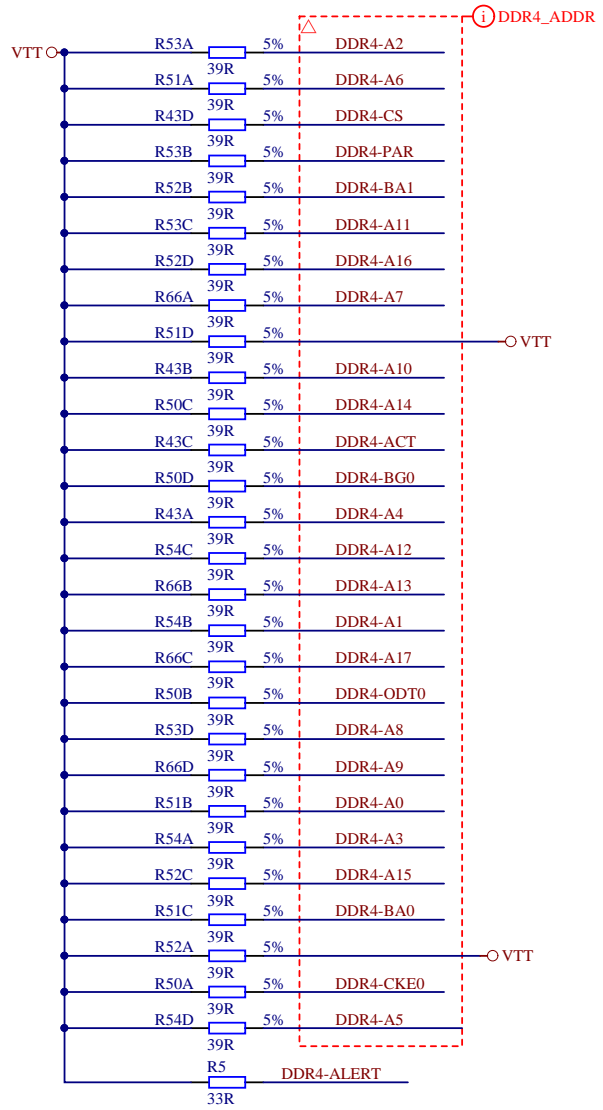
|                             |                                       |              |
|-----------------------------|---------------------------------------|--------------|
| Title: TE0808 - DDR4_4_RAM  |                                       |              |
| A4                          | Number: TE0808<br>09EG-1EE            | Rev. 04      |
| Date: 13.08.2017            | Copyright: Trenz Electronic GmbH / TT | Page21 of 28 |
| Filename: DDR4-RAM_4.SchDoc |                                       |              |

1

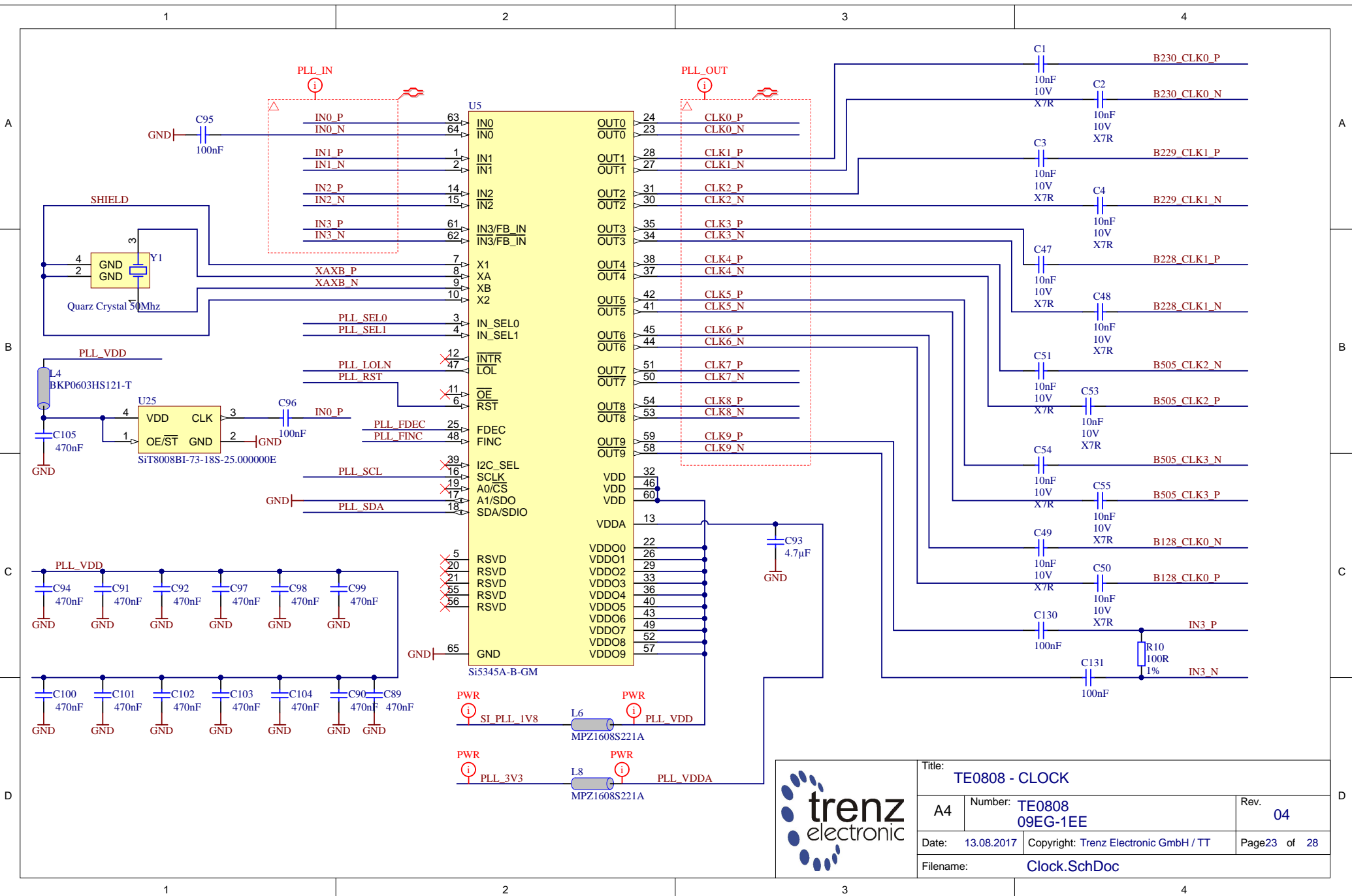
2

3

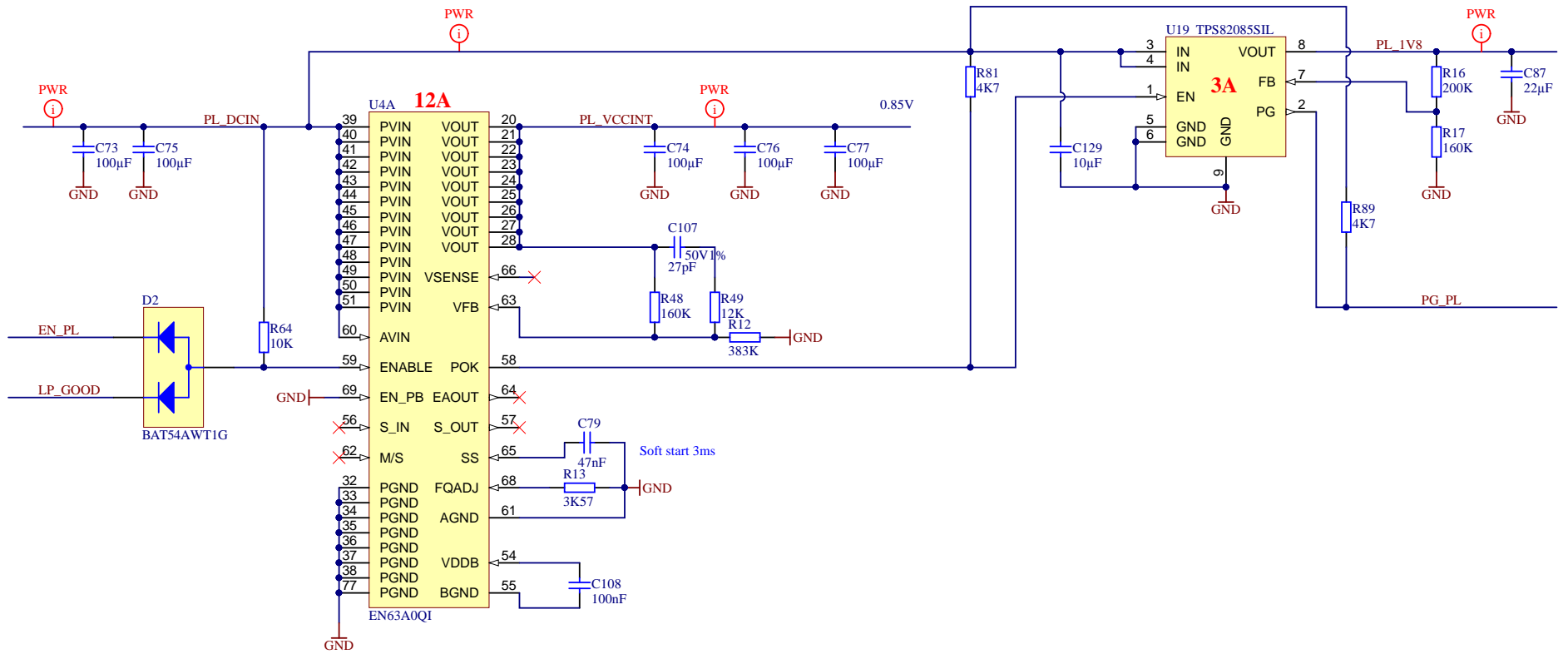
4



|                            |                                       |              |
|----------------------------|---------------------------------------|--------------|
| Title: TE0808 - DDR4_TERM  |                                       |              |
| A4                         | Number: TE0808<br>09EG-1EE            | Rev. 04      |
| Date: 13.08.2017           | Copyright: Trenz Electronic GmbH / TT | Page22 of 28 |
| Filename: DDR4-TERM.SchDoc |                                       |              |



|   |  |                                       |                       |                         |
|---|--|---------------------------------------|-----------------------|-------------------------|
|  |  |                                       | Title: TE0808 - CLOCK |                         |
|   |  |                                       | A4                    | Number: TE0808 09EG-1EE |
| Date: 13.08.2017  |  | Copyright: Trenz Electronic GmbH / TT |                       | Page23 of 28            |
| Filename: Clock.SchDoc  |  |                                       |                       |                         |



U4B

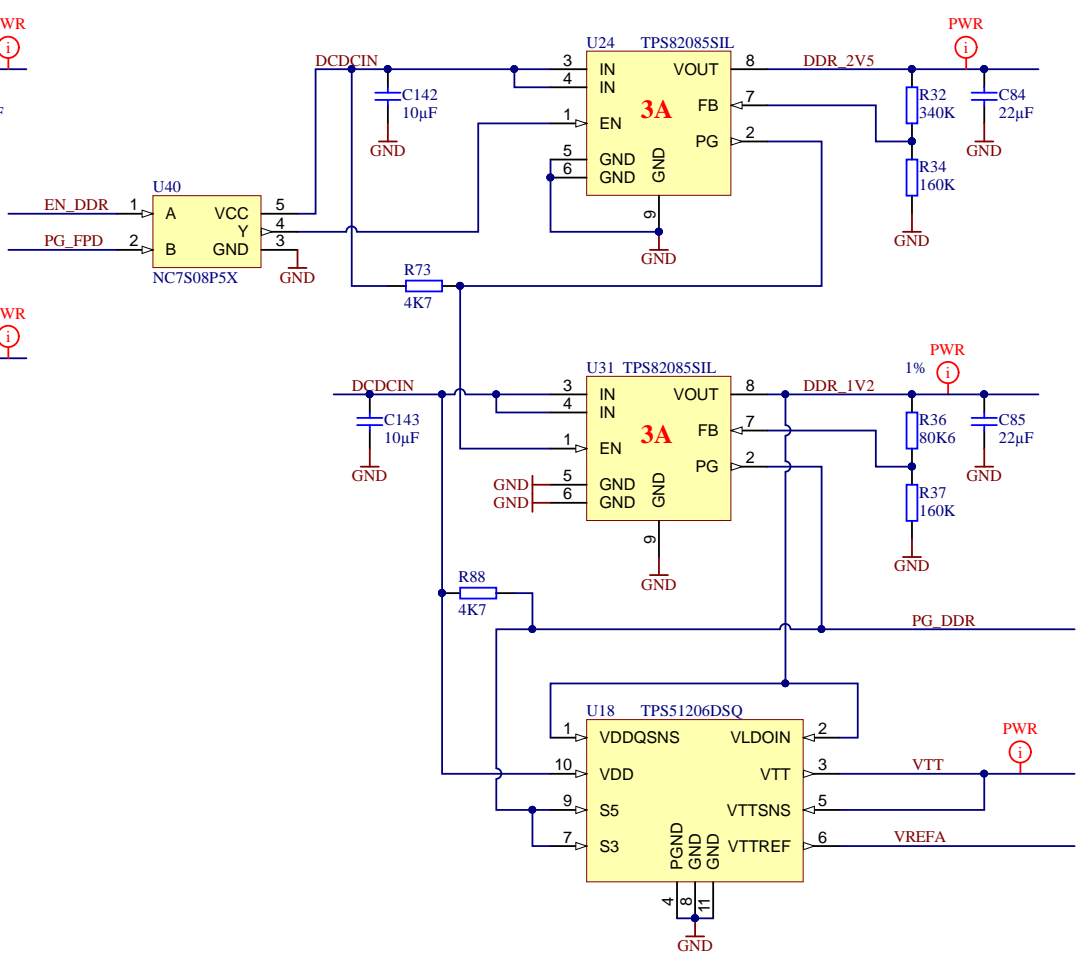
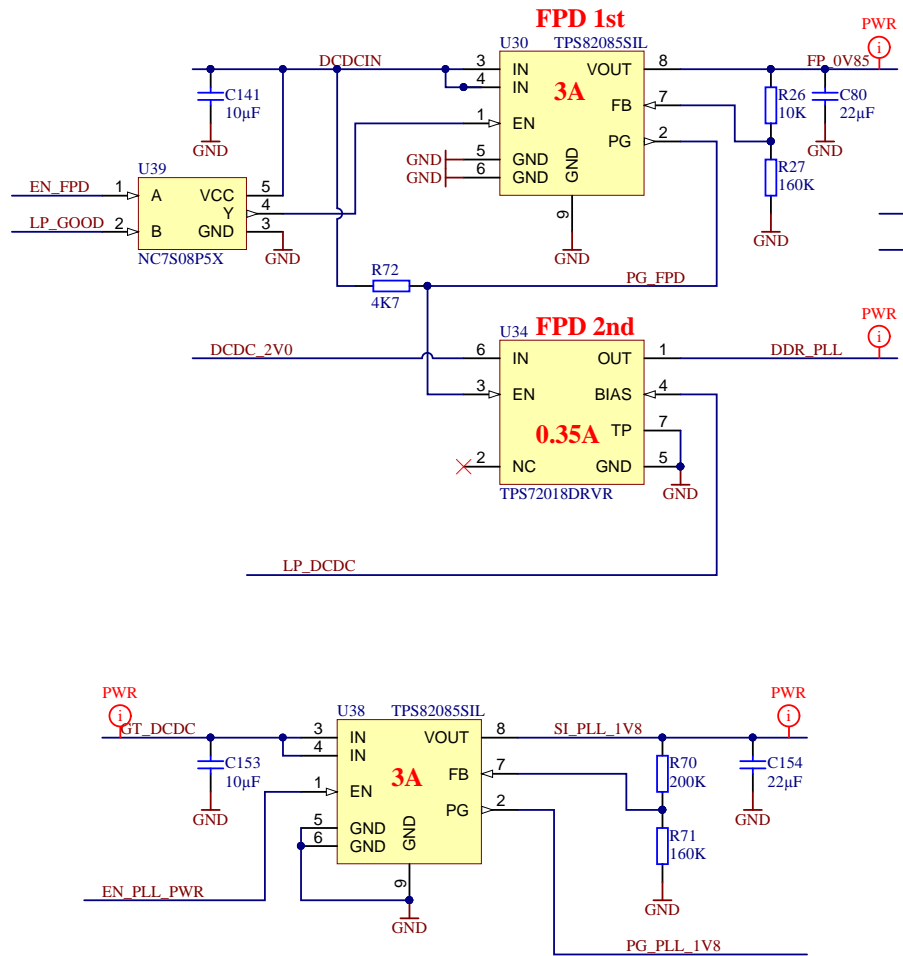
|    |    |        |    |
|----|----|--------|----|
| 1  | NC | NC     | 17 |
| 2  | NC | NC     | 18 |
| 3  | NC | NC     | 19 |
| 4  | NC | NC     | 29 |
| 5  | NC | NC     | 30 |
| 6  | NC | NC(SW) | 31 |
| 7  | NC | NC(SW) | 52 |
| 8  | NC | NC     | 53 |
| 9  | NC | NC     | 67 |
| 10 | NC | NC(SW) | 70 |
| 11 | NC | NC(SW) | 71 |
| 12 | NC | NC(SW) | 72 |
| 13 | NC | NC     | 73 |
| 14 | NC | NC     | 74 |
| 15 | NC | NC     | 75 |
| 16 | NC | NC     | 76 |


EN63A0QI

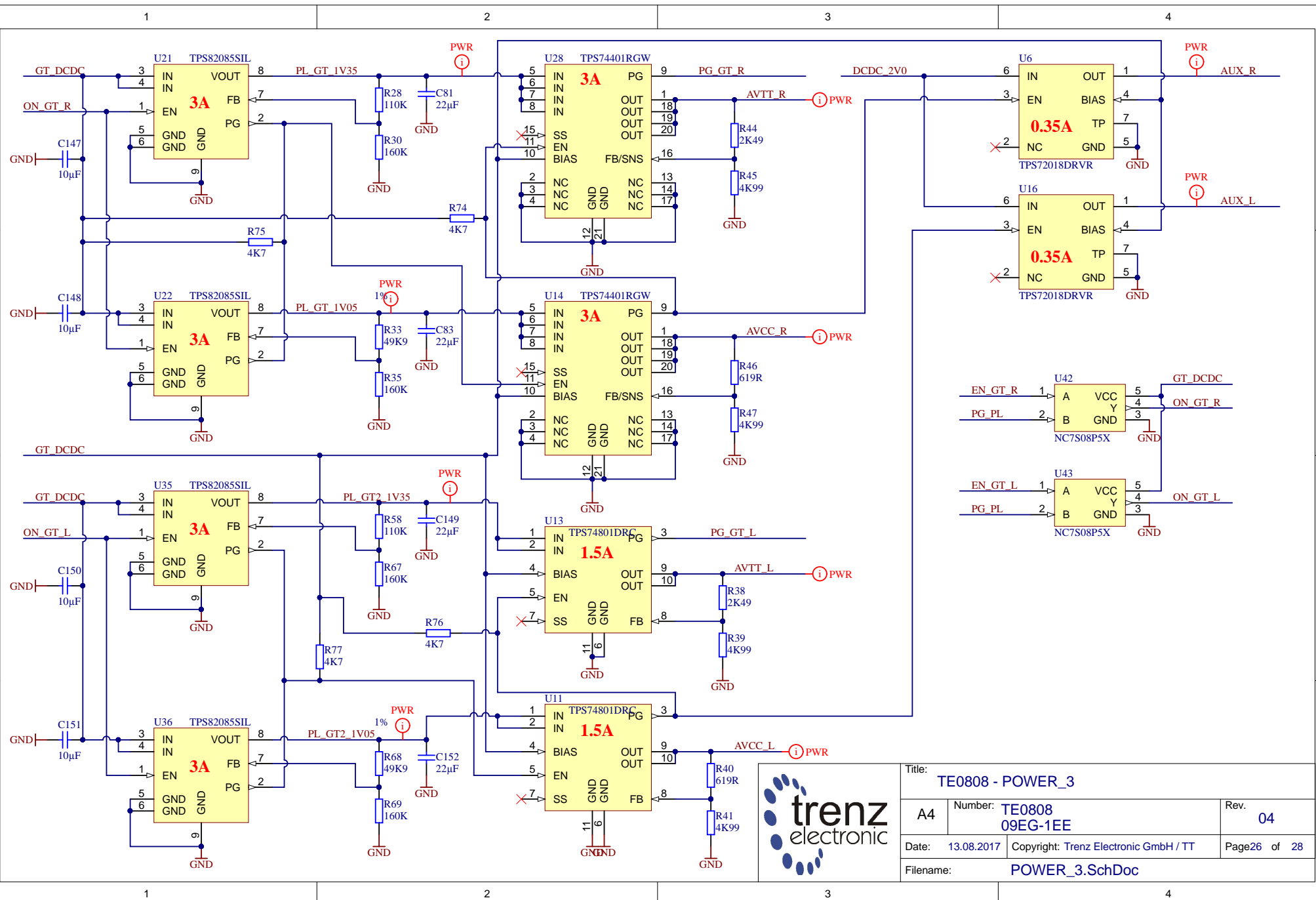


|                        |                                       |              |
|------------------------|---------------------------------------|--------------|
| Title: TE0808 - POWER  |                                       |              |
| A4                     | Number: TE0808<br>09EG-1EE            | Rev. 04      |
| Date: 13.08.2017       | Copyright: Trenz Electronic GmbH / TT | Page24 of 28 |
| Filename: POWER.SchDoc |                                       |              |

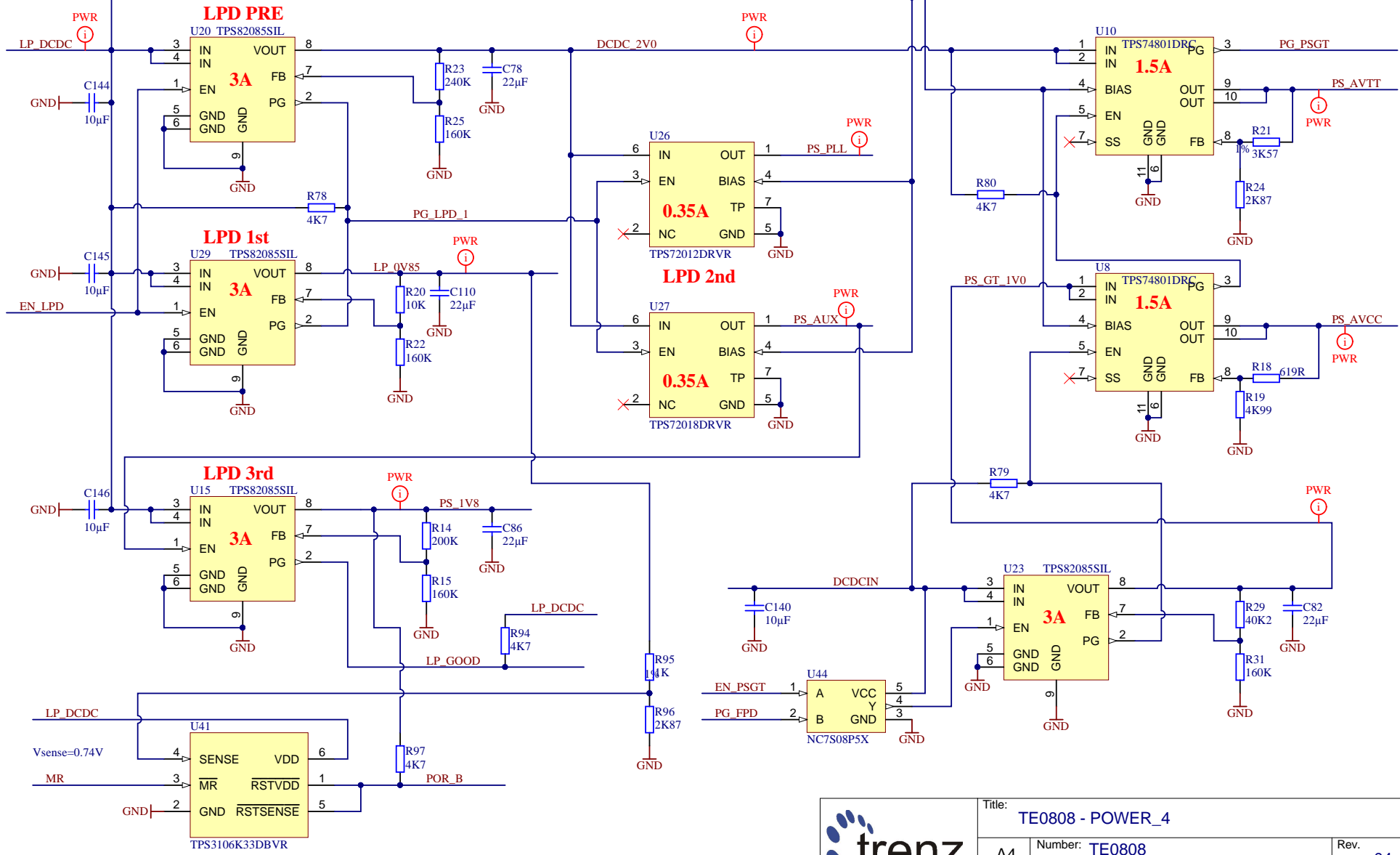





|   |  |                                       |                         |                         |
|---|--|---------------------------------------|-------------------------|-------------------------|
|  |  |                                       | Title: TE0808 - POWER_2 |                         |
|   |  |                                       | A4                      | Number: TE0808 09EG-1EE |
| Date: 13.08.2017  |  | Copyright: Trenz Electronic GmbH / TT |                         | Page25 of 28            |
| Filename: POWER_2.SchDoc  |  |                                       |                         |                         |



|                          |                                       |               |
|--------------------------|---------------------------------------|---------------|
| Title: TE0808 - POWER_3  |                                       |               |
| A4                       | Number: TE0808 09EG-1EE               | Rev. 04       |
| Date: 13.08.2017         | Copyright: Trenz Electronic GmbH / TT | Page 26 of 28 |
| Filename: POWER_3.SchDoc |                                       |               |



|   |  |                                       |                         |                         |
|---|--|---------------------------------------|-------------------------|-------------------------|
|  |  |                                       | Title: TE0808 - POWER_4 |                         |
|   |  |                                       | A4                      | Number: TE0808 09EG-1EE |
| Date: 13.08.2017  |  | Copyright: Trenz Electronic GmbH / TT |                         | Page 27 of 28           |
| Filename: POWER_4.SchDoc  |  |                                       |                         |                         |

1

2

3

4

CHANGES REV03 to REV04

- 1) added resistors R65,R82,R86,R87 (240R) for each DDR4-chip for supporting DDP DDR4 chips
- 2) full update lib

A

A

B

B

C

C

D

D



|                                   |                                  |              |
|-----------------------------------|----------------------------------|--------------|
| Title: TE0808 - Changes list      |                                  |              |
| A4                                | Number: TE0808<br>09EG-1EE       | Rev. 04      |
| Date: 13.08.2017                  | Copyright: Trenz Electronic GmbH | Page28 of 28 |
| Filename: Revision_Changes.SchDoc |                                  |              |

1

2

3

4