

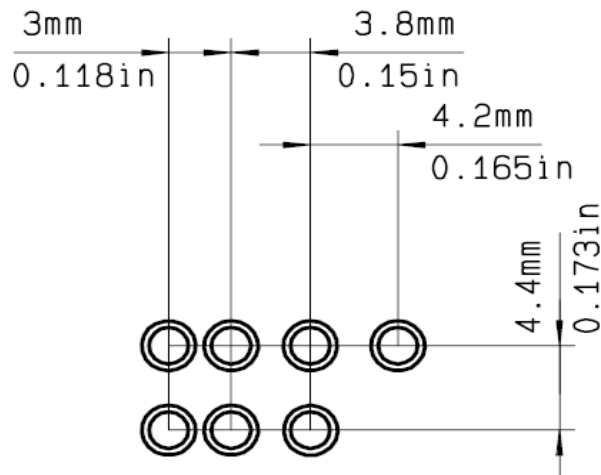
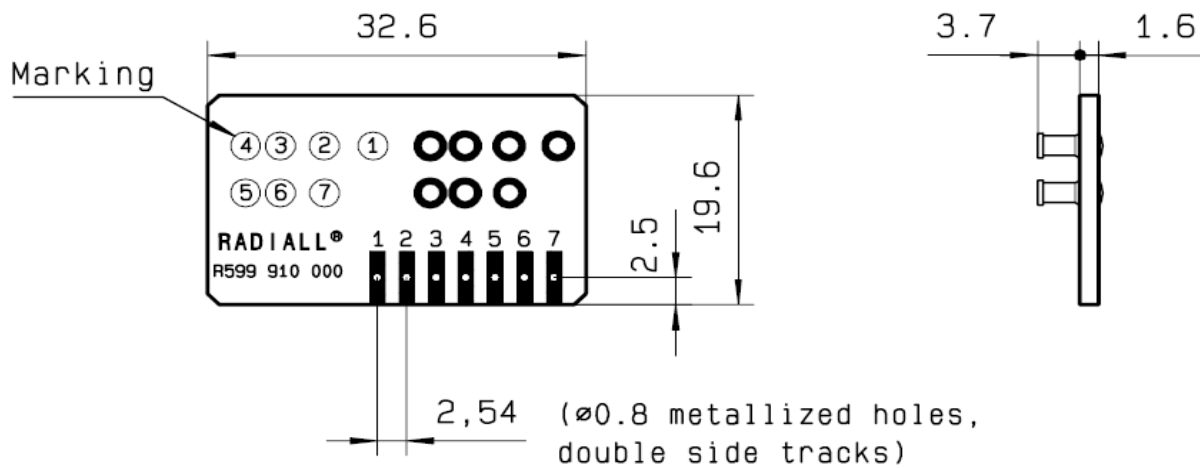
PAGE 1/1

ISSUE 16-01-17

SERIE : SPDT

PART NUMBER : R599910000

DRAWING



General tolerance: ± 0,3 mm