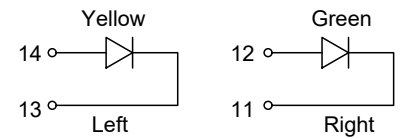
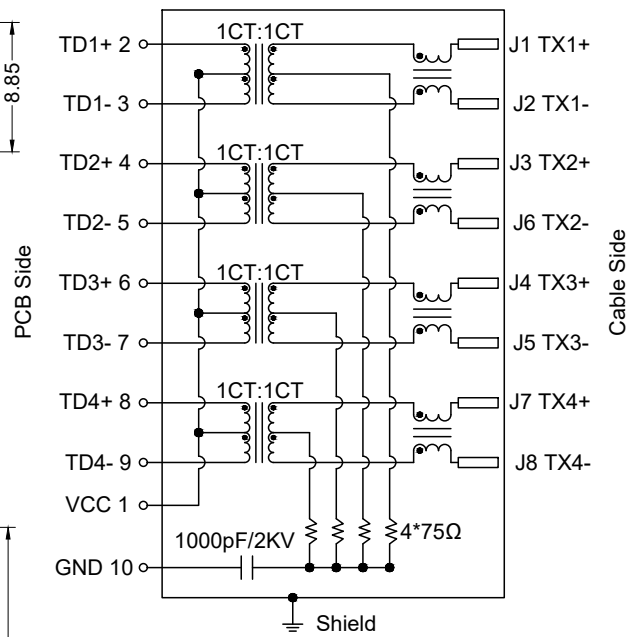


Recommended PCB Layout (Top View)



Materials and Finish

Housing: LCP Thermoplastic
UL 94V-0 Rated
Color: Black

Shield: Brass, Nickel Plated

Contact Material:
Phosphor Bronze

Plating:
Nickel Underplating
6µ Gold Plating on Contact Area,
Tin Plated on Solder Area

Electrical Characteristics

Insulation Resistance:
500 Megohms Min.

Contact Resistance:
20 milliohms Max.

Dielectric Withstanding Voltage:
500V AC for 1 Minute

Mechanical Characteristics

Durability Rating:
750 Mating Cycles Min.

Operating Temperature:
-40°C to +85°C

Insertion Loss (dB Typ)	Return Loss at 100Ω (dB Min)					Cross Talk (dB Min)			CMR (dB Min)	OCL (uH Min)
	1~10MHz	10~30MHz	30~60MHz	60~80MHz	1~30MHz	30~60MHz	60~100MHz			
1~100MHz	-20	-16	-12	-10	-40	-35	-30	-35	100KHz, 100 mV, 8mA DC	
-1.0									350	

Tolerances

X.X ± 0.35
X.XX ± 0.25
Unless Stated
Otherwise



REV.	DATE	DESCRIPTION	REV. BY	CHK. BY	DRAWN BY	DATE
A0	04/19/18	New Drawing	G. Serrato		G. Serrato	04/19/18
A0.1	05/29/18	Update Specs	D. Shehan			
A1	11/14/18	Release Drawing DC18-013	D. Shehan	G. Serrato		
A2	05/21/19	ECO #19-049	H. MA	D. Shehan		
A3	8/24/22	Update PCB Layout	C. Kelleher	N/A		

GLPLX-SMT-188S7-QQ-Y/G

Low Profile Gigabit Mag Jack
Yellow and Green LED

