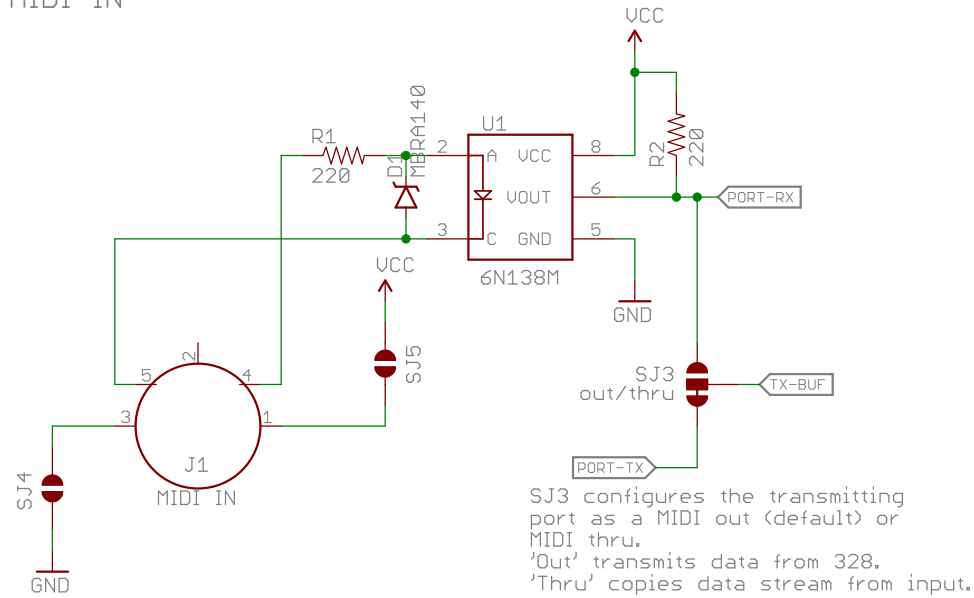
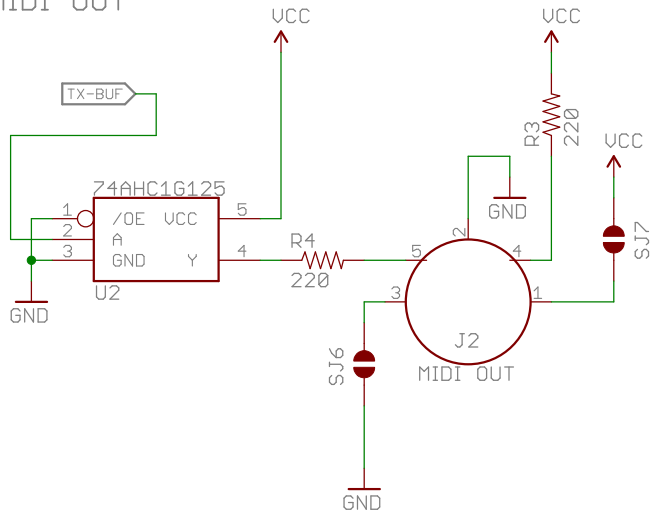


## MIDI IN



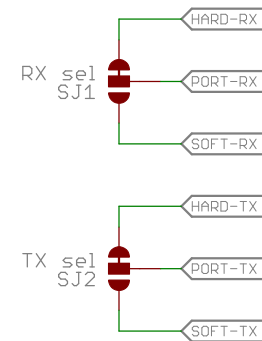
## MIDI OUT



MIDI I/O reference design from:  
<http://www.midi.org/techspecs/electrispec.php>

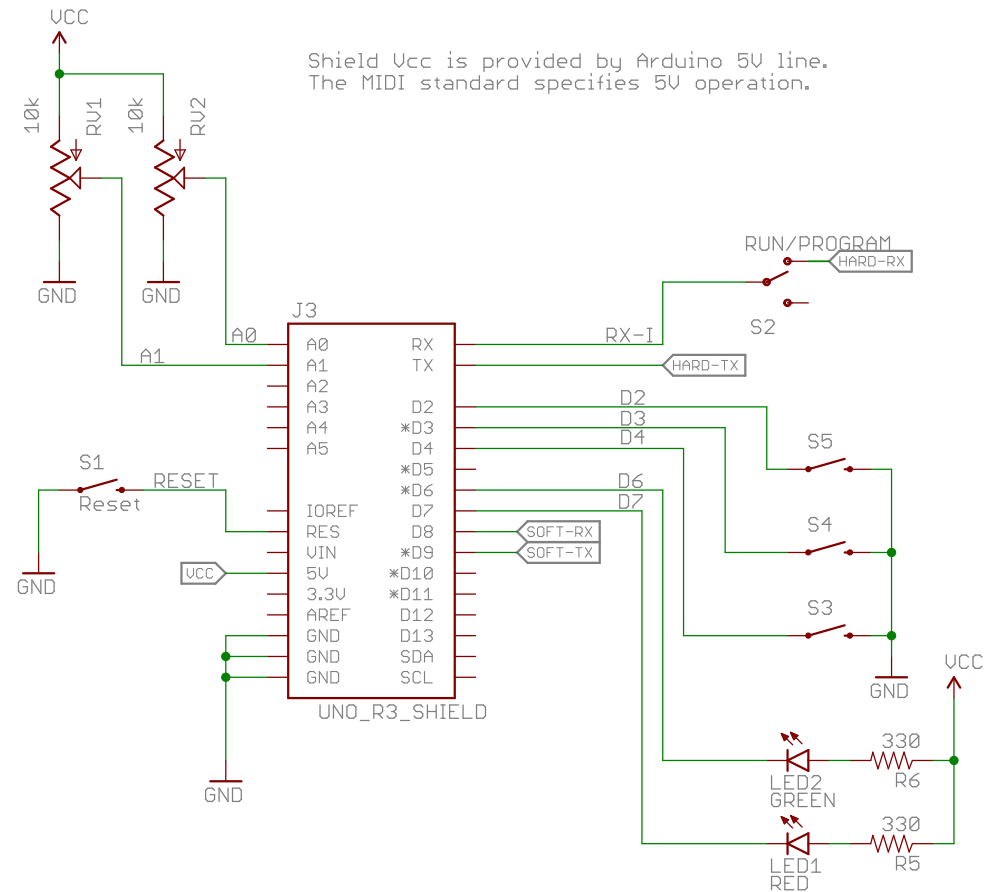
SJ4, SJ5, SJ6, SJ7 implement power-over-MIDI, using pin assignment proposed by Craig Anderton (Pin 1 = Ucc, pin 3 = ground). Close JP4 & 5 to power the MIDI input. Close JP6 & 7 to power the output.

## Serial Port Selection



SJ1, SJ2 select between hardware serial port (pins 0, 1) and soft-serial (pins 8, 9). Hardware serial selected by default.

## Shield Connections and controls



Set S2 to "PROG" to load Sketch on Arduino, then set to "RUN" for MIDI communication

LED1, LED2, RV1, RV2, S3, S4, and S5 are available for application usage.

# sparkfun



open hardware

Released under the Creative Commons Attribution Share-Alike 4.0 License  
<https://creativecommons.org/licenses/by-sa/4.0/>

TITLE: SparkFun\_MIDI\_Shield

Design by: Chris Taylor  
 Revision By: Byron Jacquot

REV:  
 V1.5

Date: not saved!

Sheet: 1/1