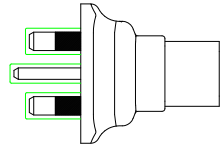
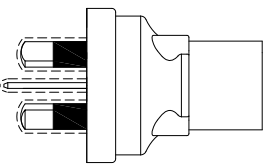
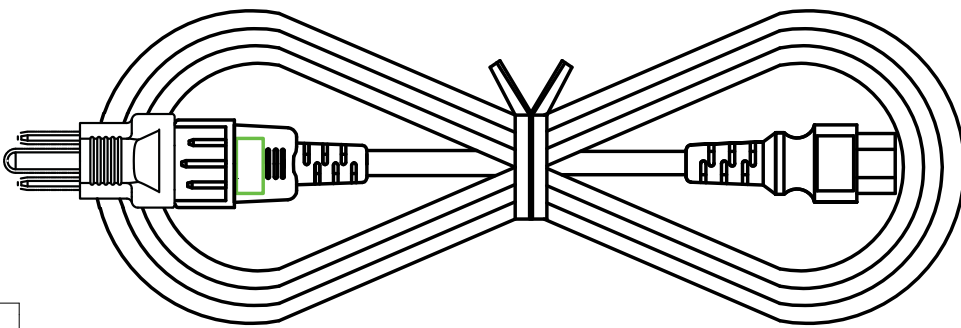
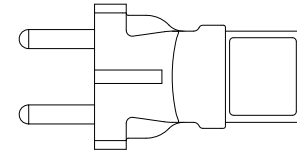
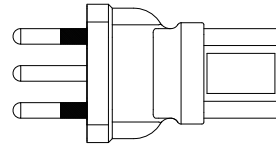
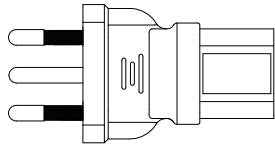


PROPRIETARY INFORMATION:  
 PROPRIETARY OF GLOBTEK, INC. ANY REPRODUCTION, DISCLOSURE OR  
 USE OF THIS DRAWING, IN WHOLE OR IN PART, IS HEREBY  
 PROHIBITED EXCEPT AS SPECIFIED IN WRITING BY GLOBTEK,INC.

REVISION		DATE	APPROVED
REV	DESCRIPTION		
A	INITIAL RELEASE, RFS. 27178, BS	09/25/18	MK



**701-712- KIT6(R) INCLUDING:**

- 1. 1 PC CORDSET P/N: 7055002M0712(R) WITH 701-302S(R) INSTALLED ON CORD
  - 2. 1 PC ADAPTOR: 701-302S(R)
  - 3. 1 PC ADAPTOR: 701-2314S(R)
  - 4. 1 PC ADAPTOR: 701-550S(R)
  - 5. 1 PC ADAPTOR: 701-610S(R)
  - 6. 1 PC ADAPTOR: 701-2302S(R)
  - 7. 1 PC ADAPTOR: 701-2321S(R)
- ← LOOSE PACK IN BOX WITH POWER SUPPLY AND CABLE

**RELEASED**  
 By N.Frost at 3:56 pm, Sep 25, 2018

DASH NO.	PART NO	REV.	DESCRIPTION	NOTES
<b>TABULATION BLOCK</b>				
		<b>TOLERANCES:</b> DECIMALS    ANGULAR .xx +/- 0.1    +/- 1° .xxx +/- .005		<b>GlobTek, Inc.</b> www.globtek.com 186 Veterans Dr. Northvale, NJ 07647 Tel. 201-784-1000 Fax 201.784.0111
		MILLIMETERS    ANGULAR .xx +/- 0.3    +/- 1° .xxx +/- .013		
INIT.BY: BS	DATE: 09/25/18	DWG TITLE: INTERNATIONAL JUMPER CORDSET WITH 4 PC SET ADAPTOR: 701-302S(R), 701-2314S(R), 701-550S(R), 701-610S(R), 701-2302S(R), 701-2321S(R)		REV. A
DRAWN: NF	DATE: 09/25/18	FSCN No.: G, CC	SIZE A	
APRVD: MK	DATE: 09/25/18	SCALE: NONE	PART NO: <b>705-712-KIT6(R)</b>	SHEET 1/8

<p>Foot Note:          Globtek Inc. will not be liable for the safety and performance of these power product if unauthorized access and repair occurs. End user should consult the applicable UL,CSA or EN Standards for proper installation instruction.</p>	<p>Limitation of Use:          Globtek product are not authorized for use as mission critical components in life support, hazardous environment, nuclear or aircraft applications without prior written approval from the CEO of Globtek Inc.</p>
---	---

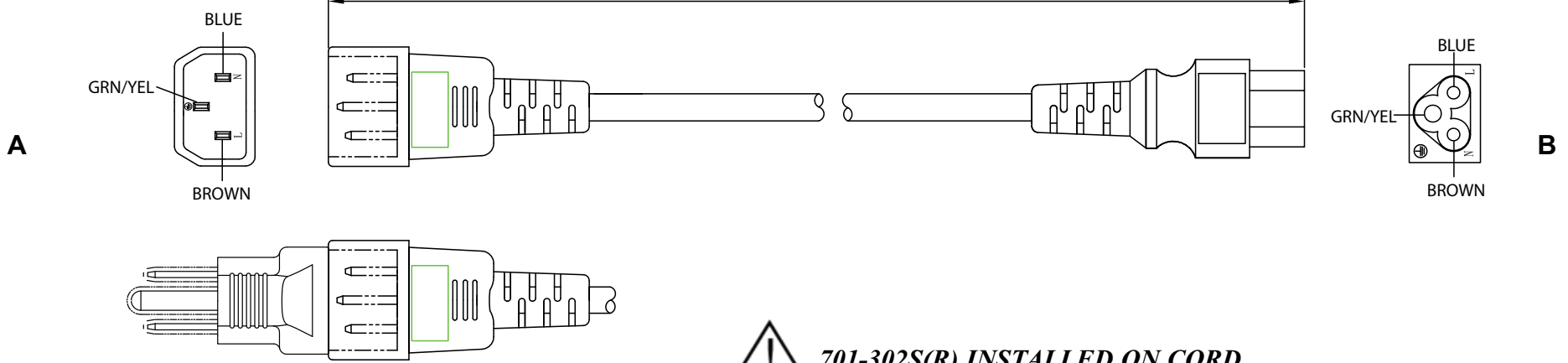
Contents of this document are subject to change without prior notice

**PROPRIETARY INFORMATION:**

PROPRIETARY OF GLOBTEK, INC. ANY REPRODUCTION, DISCLOSURE OR USE OF THIS DRAWING, IN WHOLE OR IN PART, IS HEREBY PROHIBITED EXCEPT AS SPECIFIED IN WRITING BY GLOBTEK, INC.

**CORDSET P/N: 7055002M0712(R)**

2000±50



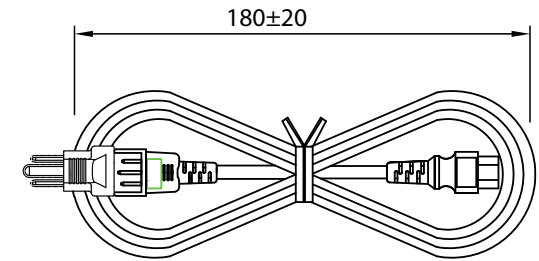
**701-302S(R) INSTALLED ON CORD**

**GENERAL SPECIFICATIONS:**

- RATING: 10A / 250V AC
- CABLE TYPE / SIZE: SJT AWG 18X3 / H05VV-F 3X1.0 mm<sup>2</sup>
- TEMPERATURE RATING: 60° C
- CONDUCTOR COLORS: BLUE / BROWN / GREEN-YELLOW
- CABLE JACKET COLOR: BLACK
- OVERALL LENGTH (L): 2000 ± 50 mm
- CABLE OUTER DIAMETER: 8.3 ± 0.2 mm
- END 'A' PLUG: IEC 320 / C14
- END 'B': IEC 320 / C5
- APPROVALS PLUG: cUL, ENEC-10-VDE
- APPROVALS CABLE: cUL, VDE, N, S, D, FI, KEMA, SAA, SEV, CEBC, OVE, IMQ
- APPROVALS CONNECTOR: cUL, ENEC-10-VDE

**PACKING:**

HANKED



**NOTES:**

1. CORD MUST BE MARKED WITH APPROVAL SYMBOLS OR FILE NUMBER(S).



2. PLUG AND CONNECTOR MUST BE MARKED WITH APPROVAL SYMBOLS OR FILE NUMBER(S).



3. CABLE IS 3C/18 AWG/SJT AND 3C/1mm<sup>2</sup>/H05VV-F DUAL APPROVED FOR US AND EUROPE.

**GlobTek, Inc.**  
www.globtek.com

186 Veterans Dr. Northvale, NJ 07647  
Tel. 201-784-1000 Fax 201.784.0111

DWG TITLE: INTERNATIONAL JUMPER CORDSET WITH 4 PC SET ADAPTOR:  
701-302S(R), 701-2314S(R), 701-550S(R), 701-610S(R), 701-2302S(R), 701-2321S(R)

PART NO: 705-712-KIT6(R)

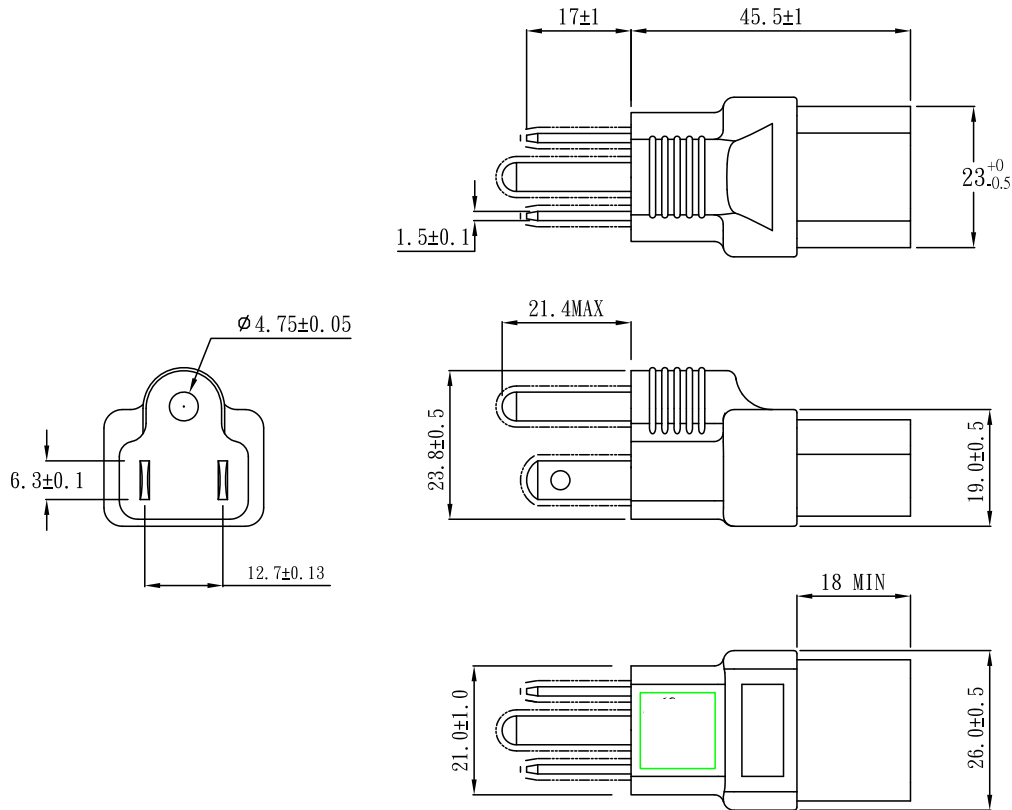
REV.  
A

SHEET 2/8

**PROPRIETARY INFORMATION:**

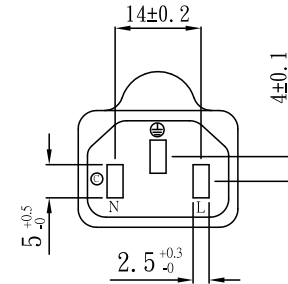
PROPRIETARY OF GLOBTEK, INC. ANY REPRODUCTION, DISCLOSURE OR USE OF THIS DRAWING, IN WHOLE OR IN PART, IS HEREBY PROHIBITED EXCEPT AS SPECIFIED IN WRITING BY GLOBTEK, INC.

### Adaptor NEMA 5-15P to IEC 320 C13: 701-302S(R)



Note:

1. Rating: 10A 125V
2. Insulation Resistance: 100M $\Omega$
3. Dielectric Voltage: 2000V/sec



**INSTALLED ON 7055002M0701(R)**

**GlobTek, Inc.**  
www.globtek.com

186 Veterans Dr. Northvale, NJ 07647  
Tel. 201-784-1000 Fax 201.784.0111

DWG TITLE: INTERNATIONAL JUMPER CORDSET WITH 4 PC SET ADAPTOR:  
701-302S(R), 701-2314S(R), 701-550S(R), 701-610S(R), 701-2302S(R), 701-2321S(R)

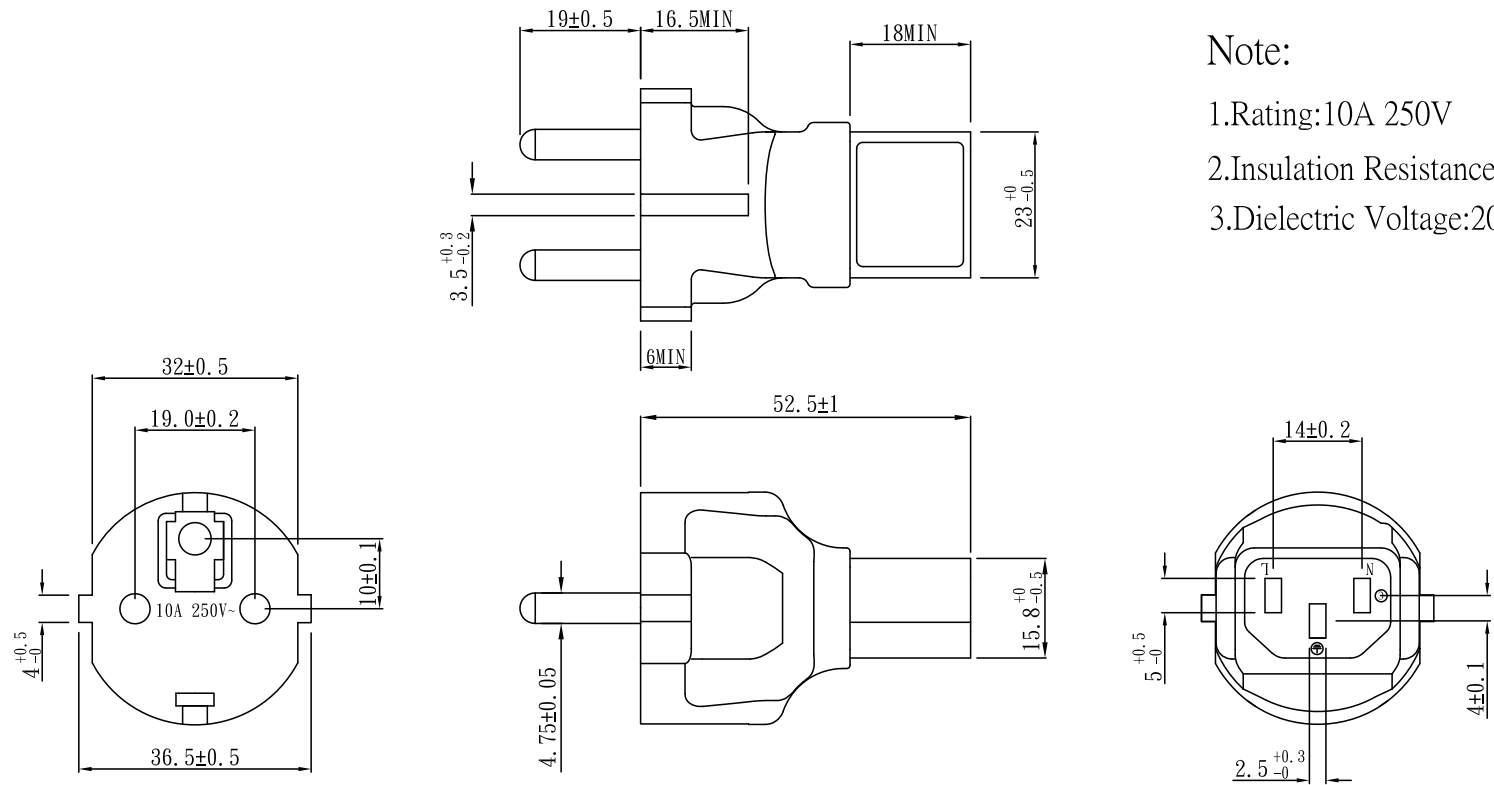
PART NO: 705-712-KIT6(R)

REV.  
A

SHEET 3/8

**PROPRIETARY INFORMATION:**  
 PROPRIETARY OF GLOBTEK, INC. ANY REPRODUCTION, DISCLOSURE OR  
 USE OF THIS DRAWING, IN WHOLE OR IN PART, IS HEREBY  
 PROHIBITED EXCEPT AS SPECIFIED IN WRITING BY GLOBTEK, INC.

### Adaptor EUROPEAN SCHUKO to IEC 320 C13: 701-2314S(R)



Note:

1. Rating: 10A 250V
2. Insulation Resistance: 100MΩ
3. Dielectric Voltage: 2000V/sec

**GlobTek, Inc.**  
 www.globtek.com

186 Veterans Dr. Northvale, NJ 07647  
 Tel. 201-784-1000 Fax 201.784.0111

DWG TITLE: INTERNATIONAL JUMPER CORDSET WITH 4 PC SET ADAPTOR:  
 701-302S(R), 701-2314S(R), 701-550S(R), 701-610S(R), 701-2302S(R), 701-2321S(R)

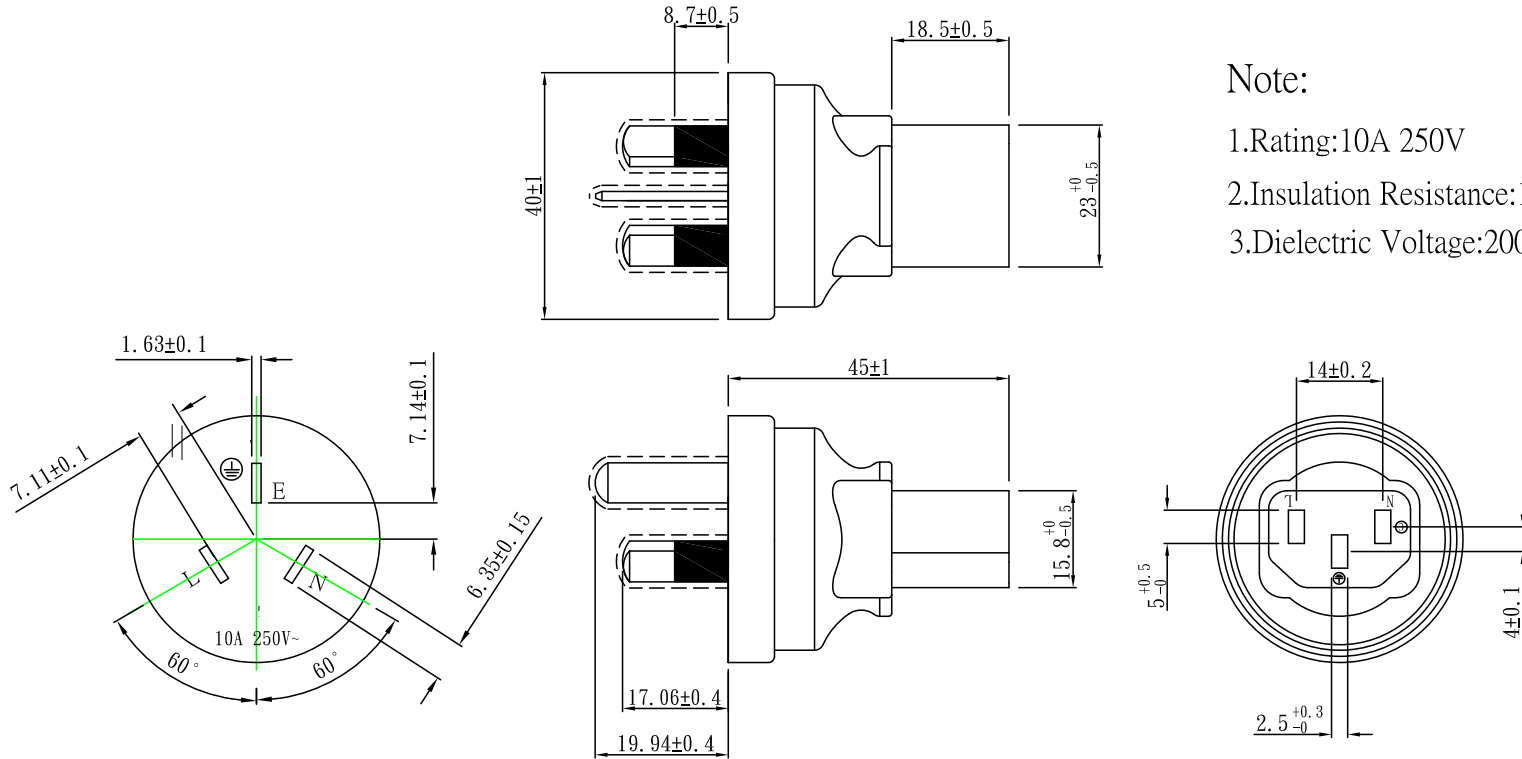
	REV. A
--	-----------

PART NO: 705-712-KIT6(R)	SHEET 4/8
--------------------------	-----------

**PROPRIETARY INFORMATION:**

PROPRIETARY OF GLOBTEK, INC. ANY REPRODUCTION, DISCLOSURE OR USE OF THIS DRAWING, IN WHOLE OR IN PART, IS HEREBY PROHIBITED EXCEPT AS SPECIFIED IN WRITING BY GLOBTEK, INC.

### Adaptor AUSTRALIAN 3 BLADES to IEC 320 C13: 701-550S(R)



Note:

1. Rating: 10A 250V
2. Insulation Resistance: 100M $\Omega$
3. Dielectric Voltage: 2000V/sec

**GlobTek, Inc.**  
www.globtek.com

186 Veterans Dr. Northvale, NJ 07647  
Tel. 201-784-1000 Fax 201.784.0111

DWG TITLE: INTERNATIONAL JUMPER CORDSET WITH 4 PC SET ADAPTOR:  
701-302S(R), 701-2314S(R), 701-550S(R), 701-610S(R), 701-2302S(R), 701-2321S(R)

PART NO: 705-712-KIT6(R)

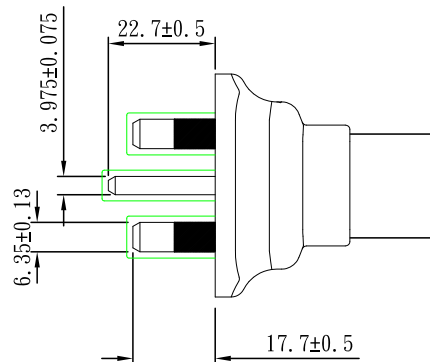
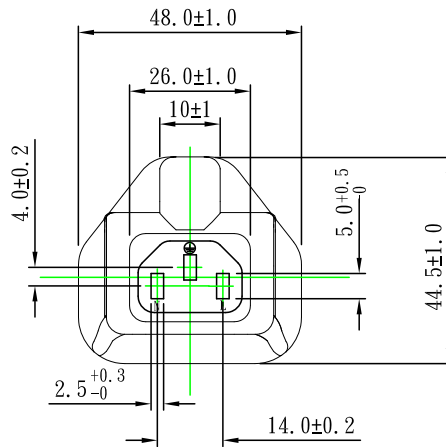
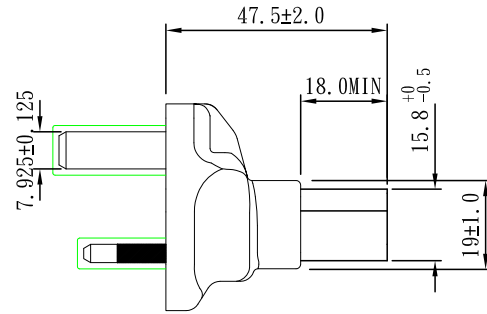
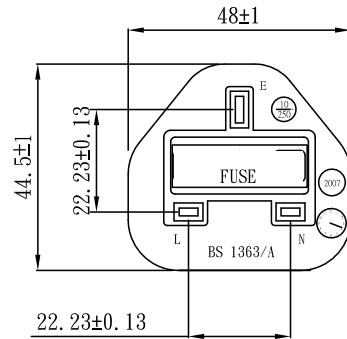
REV.  
A

SHEET 5/8

**PROPRIETARY INFORMATION:**

PROPRIETARY OF GLOBTEK, INC. ANY REPRODUCTION, DISCLOSURE OR USE OF THIS DRAWING, IN WHOLE OR IN PART, IS HEREBY PROHIBITED EXCEPT AS SPECIFIED IN WRITING BY GLOBTEK, INC.

### Adaptor UK PLUG to IEC 320 C13: 701-610S(R)



**Note:**

1. Rating: 10A 250V~
2. Insulation Resistance:  $5M\Omega$
3. Dielectric Voltage: 3000V/sec

**GlobTek, Inc.**  
www.globtek.com

186 Veterans Dr. Northvale, NJ 07647  
Tel. 201-784-1000 Fax 201.784.0111

DWG TITLE: INTERNATIONAL JUMPER CORDSET WITH 4 PC SET ADAPTOR:  
701-302S(R), 701-2314S(R), 701-550S(R), 701-610S(R), 701-2302S(R), 701-2321S(R)

PART NO: 705-712-KIT6(R)

REV.  
A

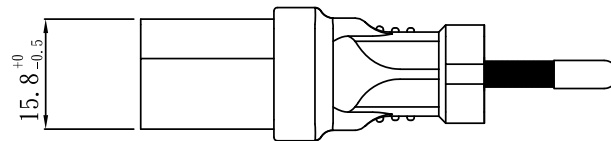
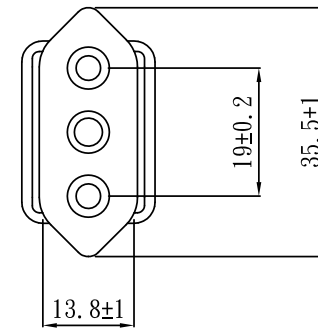
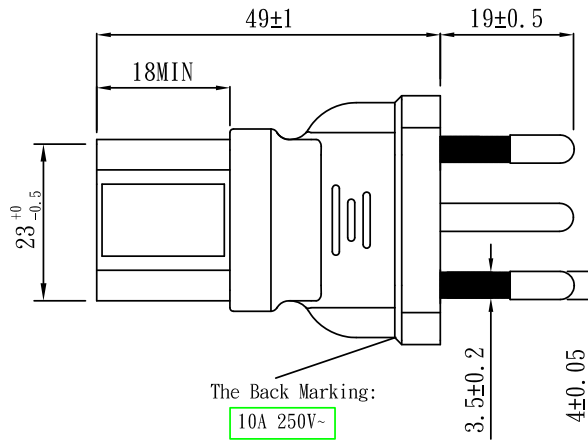
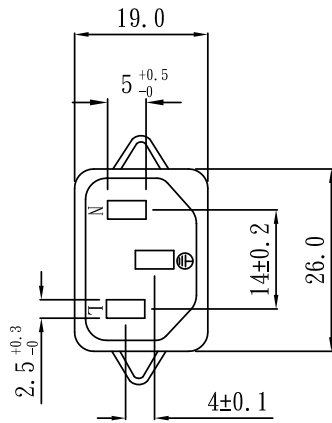
SHEET 6/8


PROPRIETARY INFORMATION:  
 PROPRIETARY OF GLOBTEK, INC. ANY REPRODUCTION, DISCLOSURE OR  
 USE OF THIS DRAWING, IN WHOLE OR IN PART, IS HEREBY  
 PROHIBITED EXCEPT AS SPECIFIED IN WRITING BY GLOBTEK, INC.

### Adaptor ITALY CEI23-16/VII to IEC 320 C13: 701-2302S(R)

Note:

1. Rating: 10A 250V
2. Insulation Resistance: 100MΩ
3. Dielectric Voltage: 2000V/sec



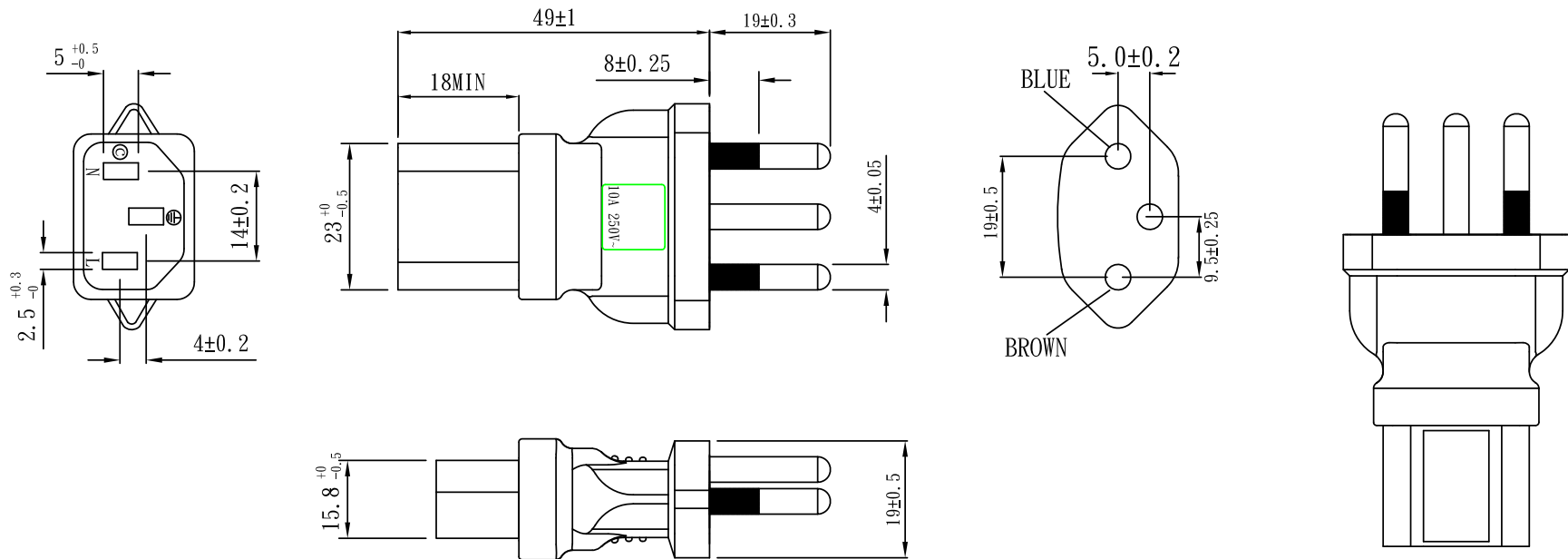
 <b>GlobTek, Inc.</b> <a href="http://www.globtek.com">www.globtek.com</a>	186 Veterans Dr. Northvale, NJ 07647 Tel. 201-784-1000 Fax 201.784.0111
	DWG TITLE: INTERNATIONAL JUMPER CORDSET WITH 4 PC SET ADAPTOR: 701-302S(R), 701-2314S(R), 701-550S(R), 701-610S(R), 701-2302S(R), 701-2321S(R)
	REV. A
PART NO: <b>705-712-KIT6(R)</b>	SHEET 7/8

PROPRIETARY INFORMATION:  
 PROPRIETARY OF GLOBTEK, INC. ANY REPRODUCTION, DISCLOSURE OR  
 USE OF THIS DRAWING, IN WHOLE OR IN PART, IS HEREBY  
 PROHIBITED EXCEPT AS SPECIFIED IN WRITING BY GLOBTEK,INC.

### Adaptor SWITZERLAND SEV1011 to IEC 320 C13: 701-2321S(R)

Note:

1. Rating: 10A 250V
2. Insulation Resistance: 100MΩ
3. Dielectric Voltage: 2000V/sec



**GlobTek, Inc.**  
 www.globtek.com

186 Veterans Dr. Northvale, NJ 07647  
 Tel. 201-784-1000 Fax 201.784.0111

DWG TITLE: INTERNATIONAL JUMPER CORDSET WITH 4 PC SET ADAPTOR:  
 701-302S(R), 701-2314S(R), 701-550S(R), 701-610S(R), 701-2302S(R), 701-2321S(R)

	REV. A
--	-----------

PART NO: 705-712-KIT6(R)	SHEET 8/8
--------------------------	-----------