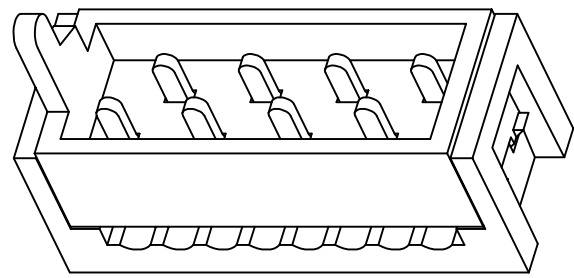
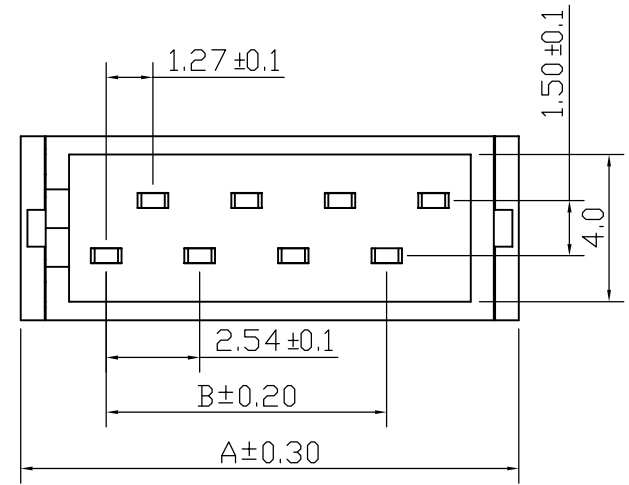
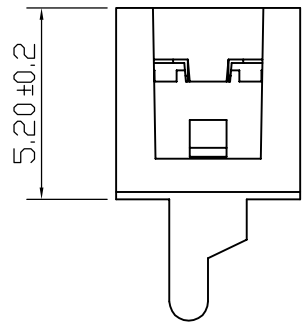
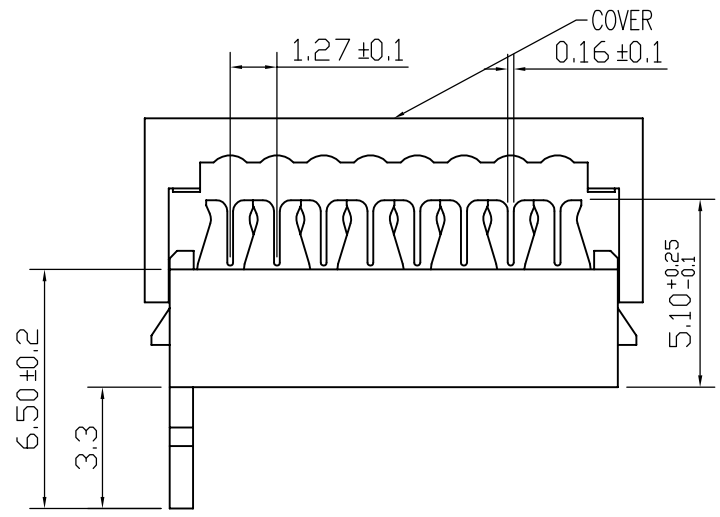
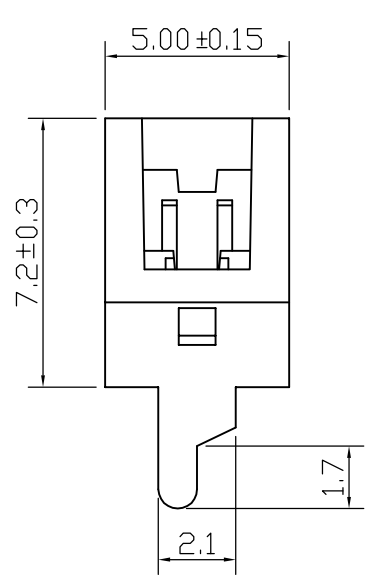


REV.	DESCRIPTION	DATE
A	RELEASE	2018/8/17

RoHS

MATERIAL&FINISH
 Insulator: PBT Glass Fiber(UL94V-0)
 Contact : Brass
 Contact : Sn Over Ni.

ELECTRICAL CHARACTERISTICS:
 Current Rating: 1 Amp
 Contact Resistance: 20mΩ Max
 Withstanding Voltage: 500V AC/Min
 Insulation Resistance: 1000MΩ Min
 Temperature Range: -40° C To+105° C



part number	POLES	DIM.A	DIM.B	Q'ty/Tray
3530-04-0101-99	04	8.45	2.54	372
3530-06-0101-99	06	10.99	5.08	288
3530-08-0101-99	08	13.53	7.62	228
3530-10-0101-99	10	16.07	10.16	192
3530-12-0101-99	12	18.61	12.7	168
3530-14-0101-99	14	21.15	15.24	144
3530-16-0101-99	16	23.69	17.78	132
3530-18-0101-99	18	26.23	20.32	120
3530-20-0101-99	20	28.77	22.86	108
3530-22-0101-99	22	31.31	25.40	96
3530-24-0101-99	24	33.85	27.94	84
3530-26-0101-99	26	36.39	30.48	84

UNLESS TOLERANCE		DRAW BY	
GENERAL	ANGLE		
X. ± 0.38	X.' ± 3.0°	DESIGN BY	
.X ± 0.38	.X' ± 2.0°	CHECK BY	
.XX ± 0.25	.XX' ± 1.0°	APPROVE BY	
.XXX ± 0.10	.XXX' ± 0.5°	SCALE	SHEET UNIT
		1:1	1/1 MM

CnC Tech,LLC

ITEM :
Male-on-Wire Connector

DRW NO: 3530-XX-0101-99 REV: A1