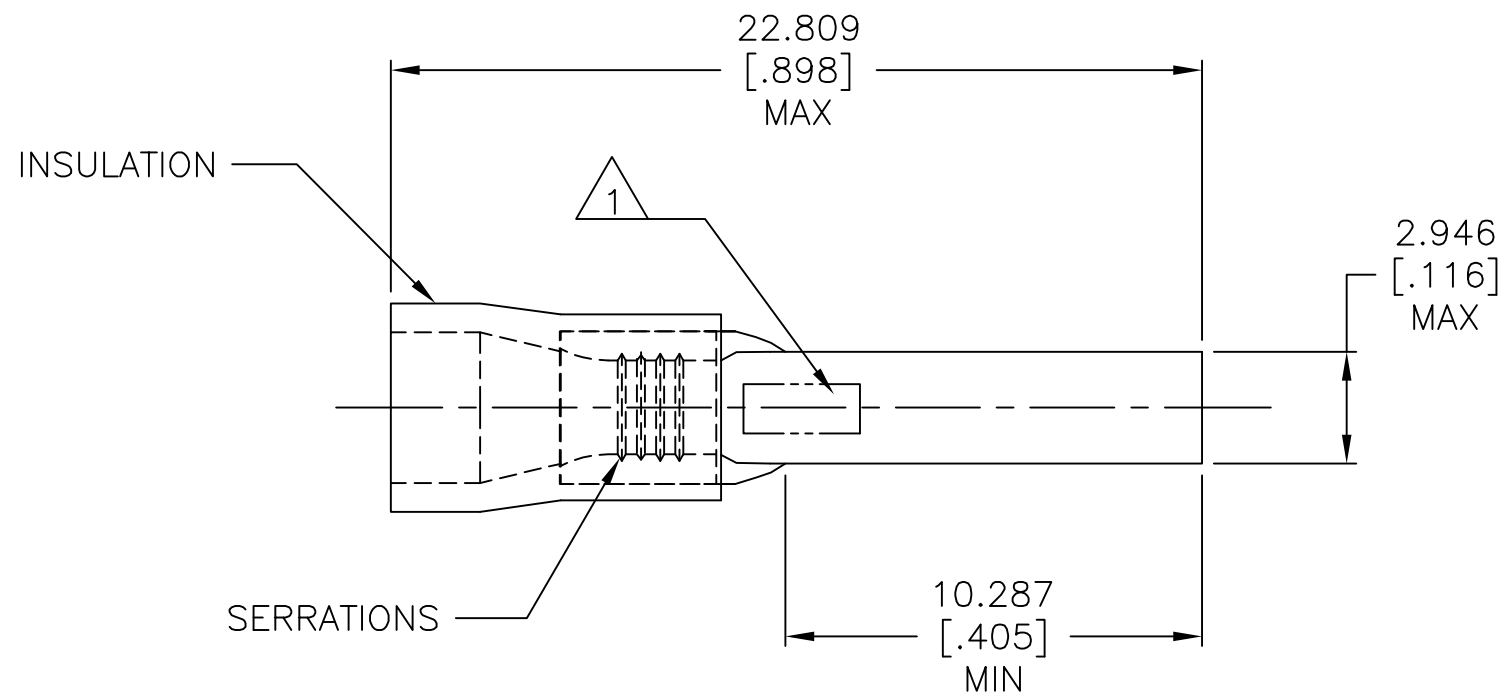
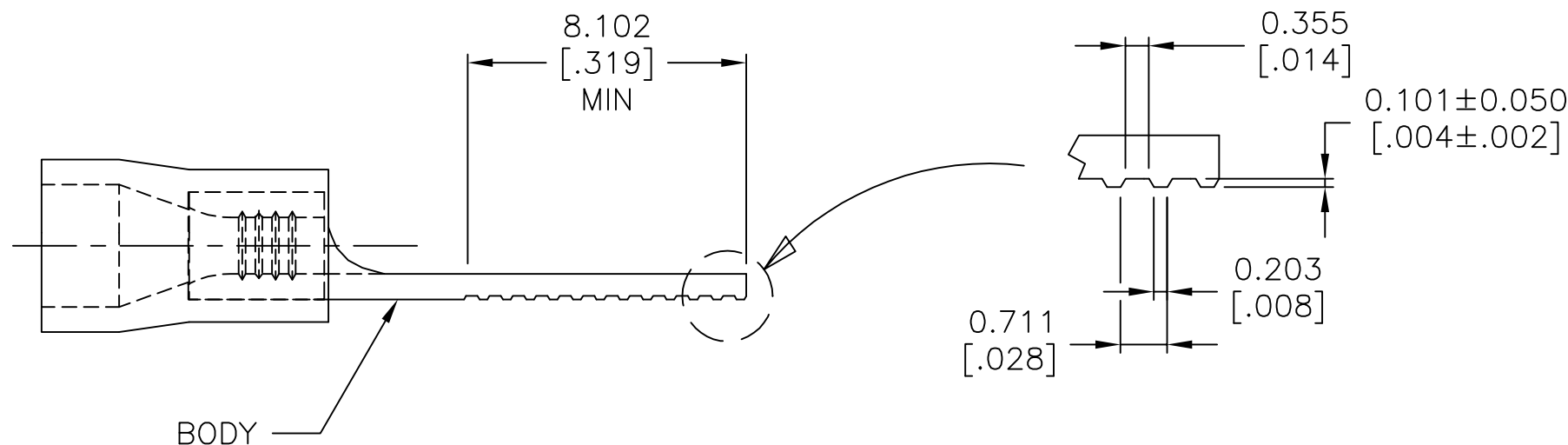


P	LTR	DESCRIPTION	DATE	DWN	APVD
	D2	REVISED PER ECO-15-001229	27JAN2015	NK	DR
	D3	REVISED PER ECO-17-008809	19JUN2017	RS	DR



- 1 WIRE SIZE IS 22-16 AWG.
- 2 WIRE INSULATION DIA: $\phi 2.692-3.581$
[$\phi .106-.141$]
- 3 BODY MATERIAL THICKNESS IS 0.787 ± 0.050
[$.031 \pm .002$]
- 4 600 VOLT MAX.
- 5 CIRCULAR MIL AREA:
509-3,260 ($0.26\text{mm}^2-1.65\text{mm}^2$).
- 6 MAXIMUM TEMPERATURE 105°C [221°F]



LOOSE PIECE	1000	131443
PACKAGING TYPE	QTY	PART NO

THIS DRAWING IS A CONTROLLED DOCUMENT.		DWN jr_ruth 29MAR06	STE TE Connectivity													
DIMENSIONS: mm [INCHES]		CHK T MICHELUTTI 28MAR06														
TOLERANCES UNLESS OTHERWISE SPECIFIED:		APVD T MICHELUTTI 28MAR06	NAME TERMINAL, TAB, PLASTI-GRIP 22-16 AWG													
<table border="0"> <tr> <td>0 PLC</td> <td>± -</td> </tr> <tr> <td>1 PLC</td> <td>± -</td> </tr> <tr> <td>2 PLC</td> <td>± -</td> </tr> <tr> <td>3 PLC</td> <td>± 0.127[.005]</td> </tr> <tr> <td>4 PLC</td> <td>± -</td> </tr> <tr> <td>ANGLES</td> <td>± 1°</td> </tr> </table>		0 PLC	± -	1 PLC	± -	2 PLC	± -	3 PLC	± 0.127[.005]	4 PLC	± -	ANGLES	± 1°	PRODUCT SPEC -	APPLICATION SPEC 114-2157	
0 PLC	± -															
1 PLC	± -															
2 PLC	± -															
3 PLC	± 0.127[.005]															
4 PLC	± -															
ANGLES	± 1°															
MATERIAL INSULATION: PVC BODY: COPPER PER ASTM B152		FINISH INSULATION COLOR: RED BODY: TIN PLATE PER ASTM B545	WEIGHT -	SIZE A3	CAGE CODE 00779											
CUSTOMER DRAWING			DRAWING NO C=131443	RESTRICTED TO -												
SCALE 5:1			SHEET 1 OF 1	REV D3												