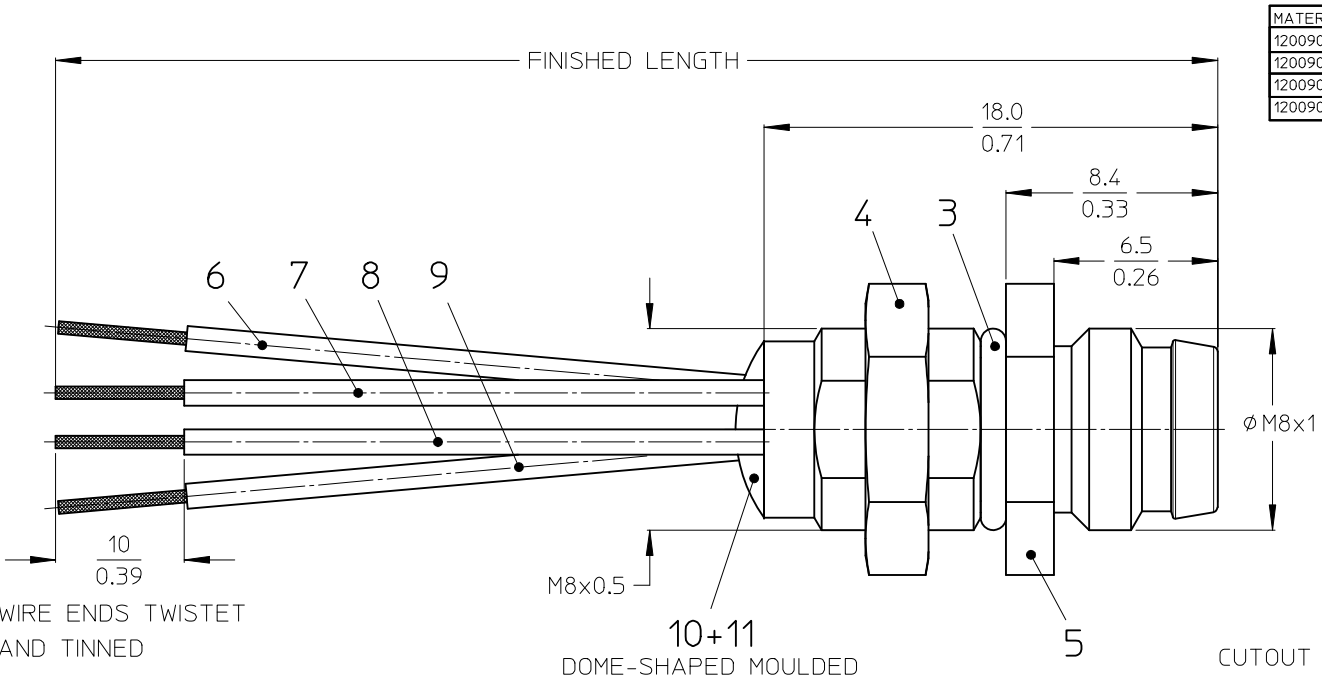
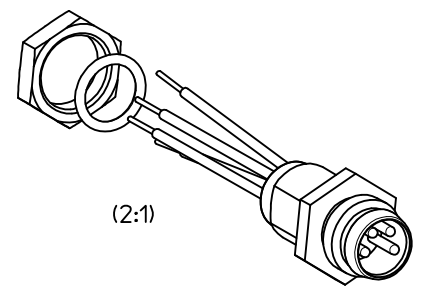
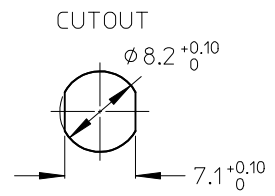
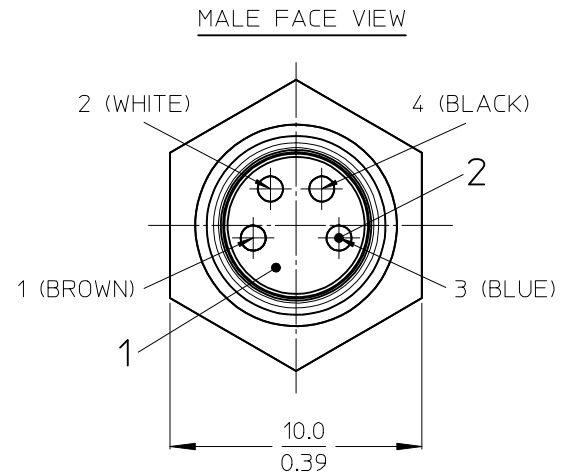


10 9 8 7 6 5 4 3 2 1



MATERIAL NO.	ENGINEERING NO.	FINISHED LENGTH IN MM/INCH	POLYBAG (MM)
1200900032	4R4P06A27C300	300mm / 11.81"	1203000036 (100x150)
1200900033	4R4P06A27M010	1000mm / 39.87"	1203000038 (180x250)
1200900072	4R4P06A27C220	220mm / 8.66"	1203000036 (100x150)
1200900069	2EPD5	300mm / 11.81"	1203000036 (100x150)



WIRING DIAGRAM

1	BROWN
2	WHITE
3	BLUE
4	BLACK

NOTES:

- ELECTRICAL SPECIFICATIONS:  
VOLTAGE RATING: 60 VAC / 75 VDC  
AMPERAGE RATING: 4 AMPS  
PROTECTION: IP67  
OPERATING TEMPERATURE: -20°C TO 105°C

- UL CERTIFICATIONS: UL LISTED, FILE NO. E152210
- CSA CERTIFICATIONS: CSA CERTIFIED, FILE NO. LR6837
- PACKAGING: SINGLE PARTS PACK INTO POLYBAG (SEE CHART)
- WINDING SPECIFICATION: ES-120000-020
- TOLERANCES FOR CABLE TREATMENT UNLESS OTHERWISE STATED WN-00004

ITEM	QTY	COMPONENT	MATERIAL	FINISH
1	1	INSERT	PA12 NATURE	-
2	4	CONTACT PIN	BRASS	Au OVER Ni
3	1	GASKET OR	NBR BK	-
4	1	LOCKNUT	BRASS	Ni PLATED
5	1	SHELL	BRASS	Ni PLATED
6	1	WIRE 24 AWG	PVC BK	-
7	1	WIRE 24 AWG	PVC WH	-
8	1	WIRE 24 AWG	PVC BN	-
9	1	WIRE 24 AWG	PVC BU	-
10	-	POTTING MATERIAL	WEVO RESIN PU 552 FL NATUR 50	-
11	-	WEVO RESIN HARDNER	-	-

ENTER DESCRIPTION EC NO: IPG2014-0417 DRW:RSCHIEBER 2013/09/02 CHKD:APOHL 2013/09/04 APPR:CBURGER 2013/09/20	QUALITY SYMBOLS ▽=0 ◻=0	GENERAL TOLERANCES (UNLESS SPECIFIED)		DIMENSION STYLE		SCALE	DESIGN UNITS	THIRD ANGLE PROJECTION		
		mm	INCH	MM/IN		5:1	METRIC			
DESCRIPTION 1	REVISION	4 PLACES	± ---	± ---	DRAWN BY	DATE	TITLE REC M8 4P MA STR PVC XM M8 FM WIR BRA AU	MATERIAL NO.	DOCUMENT NO. SD-120090-040	SHEET NO. 1 OF 1
		3 PLACES	± ---	± ---	CHECKED BY	DATE				
		2 PLACES	± 0.05	± .01	APPROVED BY	DATE				
		1 PLACE	± 0.30	± ---	CBURGER	2013/09/20				
		0 PLACE	± 0.50	± ---	MATERIAL NO.					
ANGULAR ± 1 °		DRAFT WHERE APPLICABLE MUST REMAIN WITHIN DIMENSIONS		SEE CHART		THIS DRAWING CONTAINS INFORMATION THAT IS PROPRIETARY TO MOLEX INCORPORATED AND SHOULD NOT BE USED WITHOUT WRITTEN PERMISSION				

9 8 7 6 5 4 3 2 1