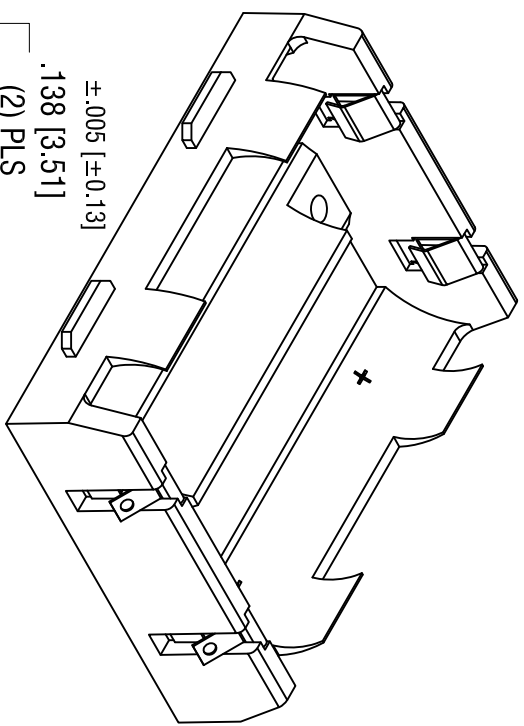


POLARITY SYMBOL  
(APPROX. AS SHOWN)

DATE	DESCRIPTION	REV.
1.19.15	CHANGE AS PER ECN 15-011	A
1.21.15	CHANGE AS PER ECN 15-016	B
9.16.15	CHANGE AS PER ECN 15-100	C



NOTE:  
1. BASE:  
MATE'L: PBT (BLACK COLOR)  
2. CONTACT:  
MATE'L: .012 THK STAINLESS STEEL  
FINISH: TIN NICKEL PLATE

THIS DOCUMENT IS THE PROPERTY OF  
KEYSTONE ELECTRONICS CORP. AND  
SHALL NOT BE REPRODUCED, DISTRIBUTED  
OR USED AS A BASIS FOR MANUFACTURE  
WITHOUT PRIOR WRITTEN PERMISSION  
FROM KEYSTONE ELECTRONICS CORP.

**KEYSTONE ELECTRONICS CORP.**  
www.keystec.com • ASTORIA, N.Y. 11105-2017 • Tel (718) 956-8900

PART NAME  
**SOLDER TAIL DUAL BATTERY HOLDER, 26650**

MATERIAL  
**AS NOTED**

FINISH  
**AS NOTED**

TOLERANCES	INCH	[MM]	CODE	DWG NO.
DECIMAL	± .010	[± 0.25 ]	C	<b>1109</b>
ANGULAR	± 1°			

DRN BY: NT DATE: 11.07.14  
APP'D: RH SCALE: 1X