

SQUARE NOTCHES IDENTIFY NXT WAFERS, REV B AND HIGHER

3.7

(34.8)

A

1.0 MIN BOARD THICKNESS

1.3 TAIL LENGTH

18.9

19.35

15.75

15.44

1.90 (MATING POINT)

(23.3)

(4.4)

BACK PLANE (REF)

2.54

FROM TOP OF DC PCB TO CL OF PIN A1b ON BP

B

1.20

3.70

2.45

KEEP-OUT ZONE

PIN L2b

PIN A1b

PIN A1a

1.25

0.75

1.50

1.70 MAX

18.10 (FULLY MATED)

19.35

15.00

ROW L

ROW K

ROW J

ROW H

ROW G

ROW F

ROW E

ROW D

ROW C

ROW B

ROW A

$\varnothing 0.10$

$\varnothing 0.46 \pm 0.05$ PTH

($\varnothing 0.57$ DRILL)

($\varnothing 0.88$ PAD)

(22 HOLES PER COLUMN)

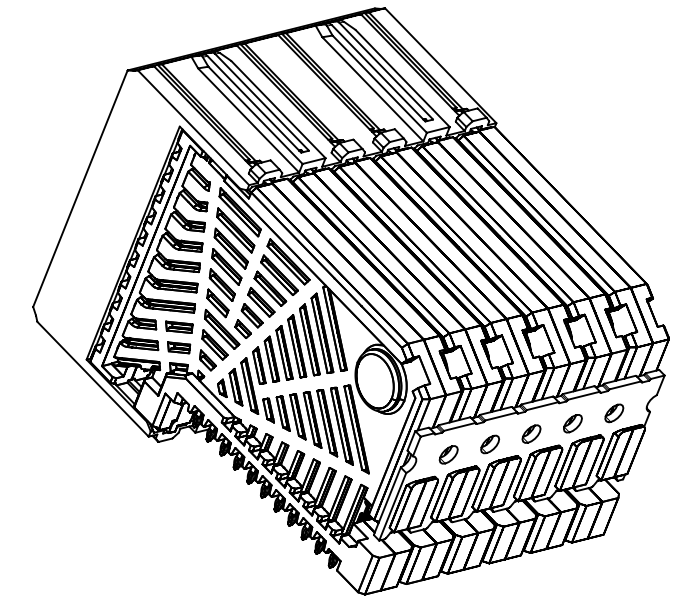
BACKPLANE (REF)

DAUGHTERCARD HOLE PATTERN (CONNECTOR SIDE)

- NOTES:
1. MATERIALS: HOUSING - LIQUID CRYSTAL POLYMER (LCP) GLASS-FILLED, UL94V-0
TERMINALS - HIGH PERFORMANCE COPPER ALLOY
 2. FINISH: SELECTIVE GOLD IN CONTACT AREA.
SELECTIVE MATTE TIN ON PCB TAILS. NICKEL OVERALL.
 3. REFER TO MOLEX PRODUCT SPEC PS-75710-999 FOR PERFORMANCE SPECIFICATIONS.
 4. PRODUCT IS PACKAGED PER PK-70873-609.
 5. THIS PART CONFORMS TO CLASS B REQUIREMENTS OF COSMETIC SPEC PS-45499-002.
 6. MAPS (MOLEX ADVANCED PLATING SYSTEM).

THIS DRAWING CONTAINS INFORMATION THAT IS PROPRIETARY TO MOLEX ELECTRONIC TECHNOLOGIES, LLC AND SHOULD NOT BE USED WITHOUT WRITTEN PERMISSION													
DIMENSION UNITS		SCALE		CURRENT REV DESC: REMASTERED TO NX									
mm		NTS											
GENERAL TOLERANCES (UNLESS SPECIFIED)				EC NO: 671119						I-TRAC NXT DAUGHTERCARD 11 ROW SIGNAL MODULE UNGUIDED SALES DWG			
ANGULAR TOL $\pm 0.5^\circ$				DRWN: CCV 2021/08/09									
4 PLACES \pm				CHK'D: VINODM3 2022/01/31						PRODUCT CUSTOMER DRAWING			
3 PLACES \pm				APPR: CWANG25 2022/02/18									
2 PLACES ± 0.13				INITIAL REVISION:						DOCUMENT NUMBER SD-76680-001			
1 PLACE ± 0.25				DRWN: MCARRANZA 2008/05/12									
0 PLACES \pm				APPR: JLAURX 2008/10/20						DOC TYPE DOC PART REVISION PSD 001 C1			
DRAFT WHERE APPLICABLE MUST REMAIN WITHIN DIMENSIONS		THIRD ANGLE PROJECTION		DRAWING		SERIES		MATERIAL NUMBER		CUSTOMER		SHEET NUMBER	
				C-SIZE		76680		SEE TABLE		GENERAL MARKET		1 OF 2	

MATERIAL NUMBER	# OF COLUMNS	DIM "A" MAX	DIM "B"
76680-*005	5	18.50	14.80
76680-*006	6	22.20	18.50
76680-*008	8	29.60	25.90
76680-*010	10	37.00	33.30



76680-*0**

MODULE TYPE -- TAIL PLATING TYPE
 UNGUIDED -- MATTE TIN (FORMERLY TIN/LEAD)= 0
 UNGUIDED -- MATTE TIN = 1

OF COLUMNS/PLATING
 05 = 5 COL 30 GOLD
 06 = 6 COL 30 GOLD
 08 = 8 COL 30 GOLD
 10 = 10 COL 30 GOLD
 25 = 5 COL 10 GOLD (MAPS)
 26 = 6 COL 10 GOLD (MAPS)
 28 = 8 COL 10 GOLD (MAPS)
 20 = 10 COL 10 GOLD (MAPS)

THIS DRAWING CONTAINS INFORMATION THAT IS PROPRIETARY TO MOLEX ELECTRONIC TECHNOLOGIES, LLC AND SHOULD NOT BE USED WITHOUT WRITTEN PERMISSION													
DIMENSION UNITS		SCALE		CURRENT REV DESC: REMASTERED TO NX				molex					
mm		NTS											
GENERAL TOLERANCES (UNLESS SPECIFIED)				EC NO: 671119 DRWN: CCV 2021/08/09 CHK'D: VINODM3 2022/01/31 APPR: CWANG25 2022/02/18 INITIAL REVISION: DRWN: MCARRANZA 2008/05/12 APPR: JLAURX 2008/10/20				I-TRAC NXT DAUGHTERCARD 11 ROW SIGNAL MODULE UNGUIDED SALES DWG					
ANGULAR TOL ± 0.5°								PRODUCT CUSTOMER DRAWING					
4 PLACES ±								DOCUMENT NUMBER		DOC TYPE		DOC PART	
3 PLACES ±								SD-76680-001		PSD		001	
2 PLACES ± 0.13								REVISION		C1			
1 PLACE ± 0.25				MATERIAL NUMBER		CUSTOMER		SHEET NUMBER					
0 PLACES ±				SEE TABLE		GENERAL MARKET		2 OF 2					
DRAFT WHERE APPLICABLE MUST REMAIN WITHIN DIMENSIONS				THIRD ANGLE PROJECTION		DRAWING		SERIES					
						C-SIZE		76680					

DOCUMENT STATUS	P1	RELEASE DATE	2022/02/18 05:04:26
-----------------	----	--------------	---------------------