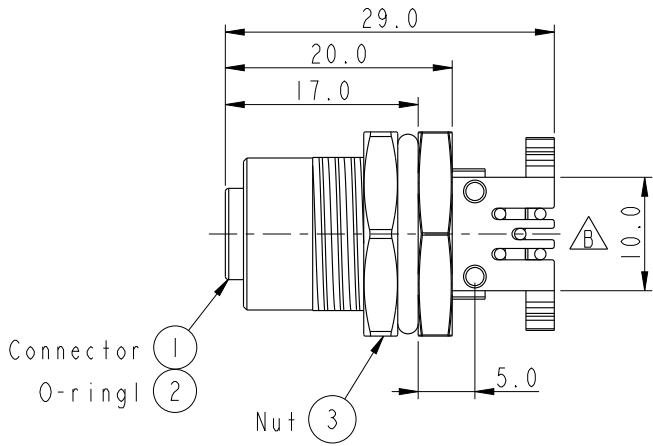
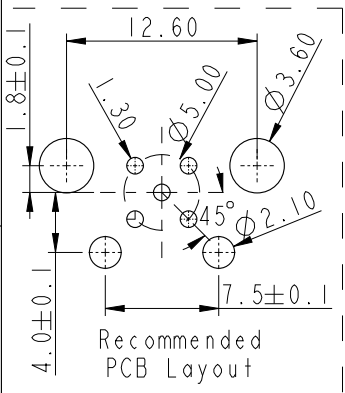
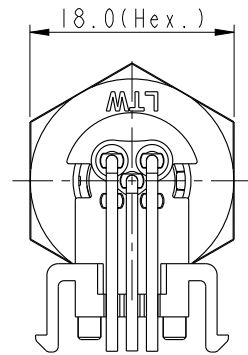
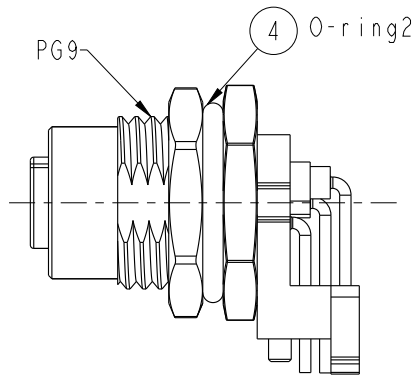
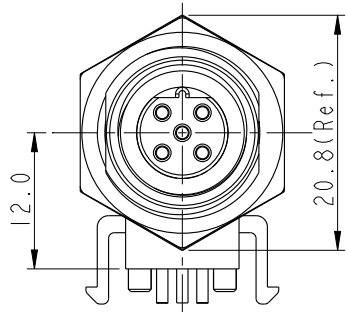
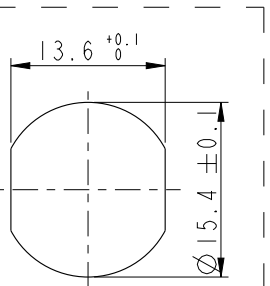
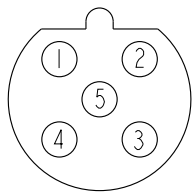


REV.	ECN NO.	DATE	SIGN	DESCRIPTION
B	C191427	2019/08/14	Nan_Su	Change Views

**ALTW**  
**CONFIDENTIAL**  
**2019-08-14**  
**R&D DEPT.**



- Note:
- \*  $\text{Ⓞ}$  Important Dimension To Check.
  - \* Waterproof Rate: IP68  
IP68: IM Depth Of Water In 24hours
  - \* Connector: Nylon+GF, Black
  - \* Female Pin: Copper Alloy, Gold Plated
  - \* Shell: Zinc Alloy, Nickel Plated.
  - \* Nut: Zinc Alloy, Nickel Plated.
  - \* O-ring1: Silicon, Gray
  - \* O-ring2: Silicon, Black
  - \* Boardlock: PBT+PC, Black
  - \* For Panel Thickness Max. 4.5mm
  - \* For PCB Thickness Max. 1.6mm



<b>UNIT: mm</b>  TOLERANCE .X ±0.25 .XX ±0.1 .XXX ±0.05 ANGLES ±1°	<b>TITLE</b> SENSOR, M12, 90° PANEL 5PIN FCONN FPIN			<b>ITEM NO.</b> M12B-05PFFR-SF8001		<b>DRAWN BY</b> Nan_Su		<b>DATE</b> 2019-08-14	
	<b>SCALE</b> 3:2			<b>DWG NO.</b> M12B-05PFFR-SF8001		<b>CHECKED BY</b> Feng_Li		<b>DATE</b> 2019-08-14	
	<b>REV.</b> B			<b>CUSTOMER</b> ALTW		<b>APPROVED BY</b> Jerry		<b>DATE</b> 2019-08-14	
	<b>SIZE</b> A4			<b>WC-REV.</b> A.1		<b>QC</b> : Inspection item		<b>W10814-03-EM01A2</b>	

**Amphenol LTW**  
**安費諾亮泰企業股份有限公司**

THIS DOCUMENT IS SUBJECT TO CHANGE WITHOUT NOTICE. IT IS CONFIDENTIAL AND A PROPERTY OF Amphenol LTW. DISCLOSURE TO THIRD PARTY HAS TO BE AUTHORIZED BY Amphenol LTW.