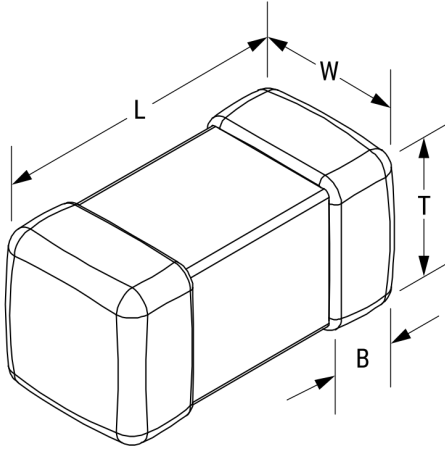


L1207C330KPWST

Aliases (L1207C330KPWST)

Not for New Design

KEMET, L-PWS, Power, 33 uH, 10%



Click [here](#) for the 3D model.

Dimensions

Chip Size	1207
L	3.2mm +/-0.2mm
W	1.8mm +/-0.2mm
T	1.8mm +/-0.2mm
LL	0.6mm +/-0.2mm
B	0.6mm +/-0.2mm

Packaging Specifications

Packaging	T&R
Packaging Quantity	2000

General Information

Series	L-PWS
Style	SMD Chip
Description	Surface Mount Inductor
Features	Standard Type
RoHS	Yes
Notes	Last Order Date June 30, 2023.

Specifications

Inductance	33 uH (2.52 MHz)
Inductance Tolerance	10%
Temperature Range	-40/+105°C
Current	215 mAmps (MAX)
DC Resistance	0.75 Ohms
Self-Resonant Frequency	15 MHz