

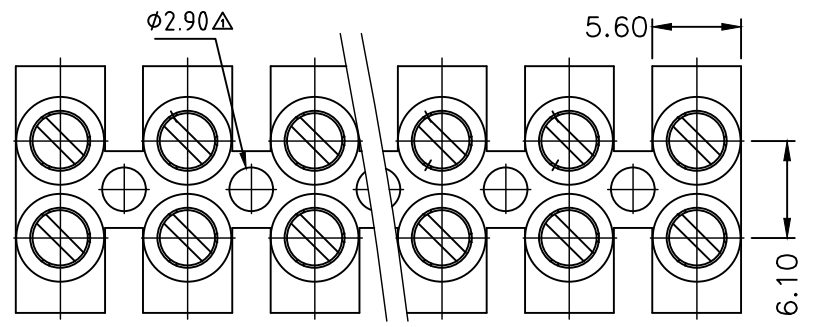
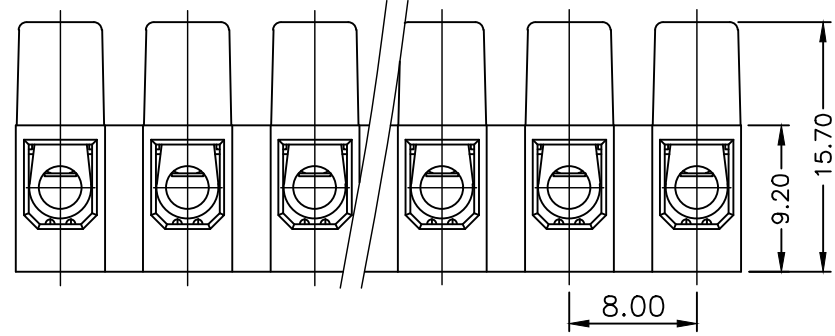
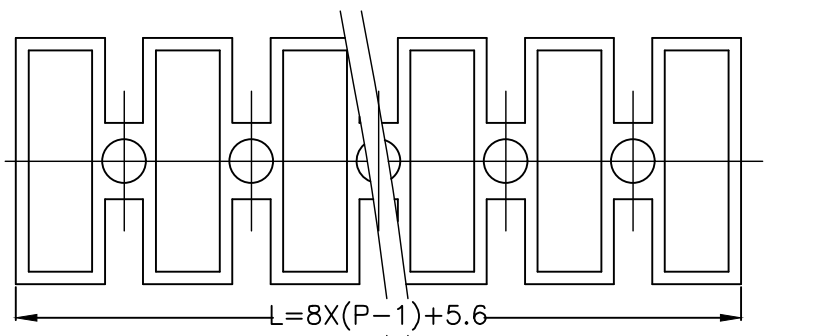
SIGN	DATE	DESCRIPTION	APPROVER
△	07.26.2012	Added mounting hole diameter	
△	02.12.2021	Current, AWG, Torque and Temp updated	
<i>THIS IS CAD DRAWING, DO NOT REVISE MANUALLY!!!</i>			

NOTES:

- △ 1. Rating: 300V 20A(UL)
2. Insulation Withstanding Voltage: AC1600V/MIN
3. Insulation Resistance:  $\geq 500M\Omega$  or more at DC500V
- △ 4. Temperature Range:  $-40^{\circ}C/+80^{\circ}C$
- △ 5. Screw Torque Value: 43.5 lbf-in Max(UL)
- △ 6. Wire Range: Solid 12-24AWG; Stranded 14-24AWG
8. Housing: Nylon PA66 UL-94V0
9. Screw M2.5, Steel, Zinc Plated
10. Standard Color: Natural
11. Wire Protector Material: Stainless Steel without plating
12. Terminal: Brass with Ni plating
13. Wire strip length: 5.0 - 5.5mm
14. Screw torque value: 0.4Nm


Agency approvals:  us

RoHS Compliant

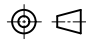


DIM	P	2	3	4	5	6	7	8	9	10	11	12
L		13.6	21.6	29.6	37.6	45.6	53.6	61.6	69.6	77.6	85.6	93.6
TOL (±)		0.08	0.12	0.16	0.20	0.24	0.28	0.32	0.36	0.40	0.44	0.48

THESE DRAWINGS AND SPECIFICATIONS ARE THE PROPERTY OF ON-SHORE TECHNOLOGY, INC. AND SHALL NOT BE REPRODUCED, COPIED OR USED IN ANY MANNER WITHOUT THE PRIOR WRITTEN CONSENT OF ON-SHORE TECHNOLOGY, INC.



# ON-SHORE TECHNOLOGY, INC.

TITLE		ES0800 Series - 8.0mm Euro Strip, Wire guard, flat base				
PART NO.	ES0800/XXDSFB (xx - number of poles per row)	DWG NO.	ES0800/XXDSFB.DWG			
APPROVED	CHECKED	DESIGNED	DRAWN	5020		
KSZ 2007.08.01	KSZ 2007.08.01	KSZ 2007.08.01	KSZ 2007.08.01	 UNIT: mm SCALE: NONE SHEET: 01/01 REV.: A		