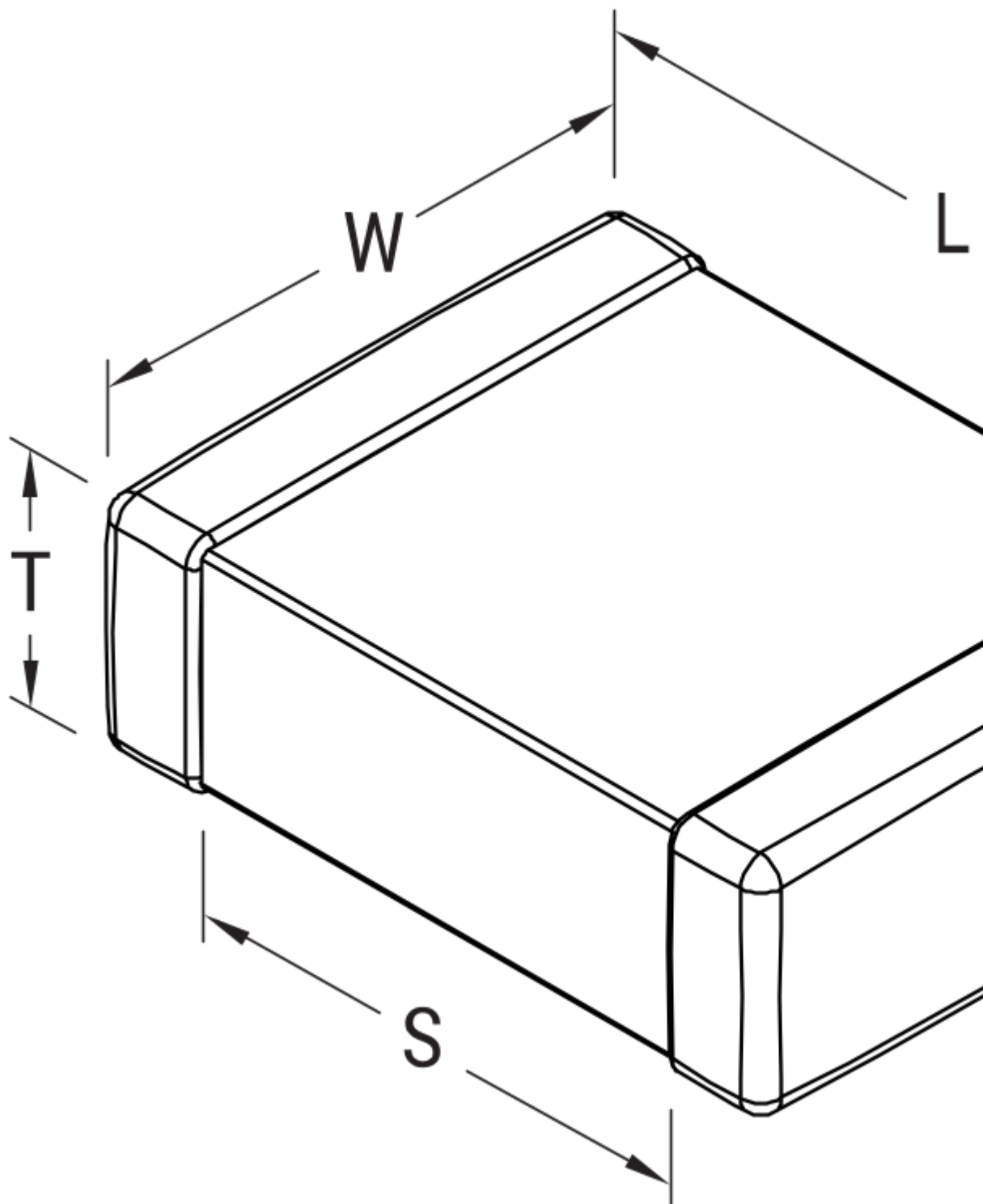


C0402C151J5TACAUTO

SMD Auto X8G HT150C, Ceramic, 150 pF, 5%, 50 VDC, X8G, SMD, MLCC, High Temperature, Ultra-Stable, Automotive Grade, 0402



Click [here](#) for the 3D model.

Dimensions

Chip Size 0402

| | |
|---|-----------------|
| L | 1mm +/-0.05mm |
| W | 0.5mm +/-0.05mm |
| T | 0.5mm +/-0.05mm |

Dimensions

| | |
|---|----------------|
| S | 0.3mm MIN |
| B | 0.3mm +/-0.1mm |

Packaging Specifications

| | |
|--------------------|------------------------|
| Packaging | T&R, 180mm, Paper Tape |
| Packaging Quantity | 10000 |

General Information

| | |
|------------------|-------------------------------------------------------------|
| Series | SMD Auto X8G HT150C |
| Style | SMD Chip |
| Description | SMD, MLCC, High Temperature, Ultra-Stable, Automotive Grade |
| Features | High Temperature, Ultra-Stable, Automotive Grade |
| RoHS | Yes |
| Termination | Tin |
| Marking | No |
| Qualifications | AEC-Q200 |
| AEC-Q200 | Yes |
| Component Weight | 1.21 mg |
| Shelf Life | 78 Weeks |
| MSL | 1 |

Specifications

| | |
|--------------------------------------------------------------------|-------------------------------------------------|
| Capacitance | 150 pF |
| Measurement Condition | 1 MHz 1.0Vrms |
| Capacitance Tolerance | 5% |
| Voltage DC | 50 VDC |
| Dielectric Withstanding Voltage | 125 VDC |
| Temperature Range | -55/+150°C |
| Temperature Coefficient | X8G |
| Capacitance Change with Reference to +25°C and 0 VDC Applied (TCC) | 30 ppm/C, 1MegaHz 1.0Vrms |
| Dissipation Factor | 0.1% 1 MHz 1.0Vrms |
| Aging Rate | 3% Loss/Decade Hour: Referee Time is 1000 Hours |
| Insulation Resistance | 100 GOhms |

Statements of suitability for certain applications are based on our knowledge of typical operating conditions for such applications, but are not intended to constitute - and we specifically disclaim - any warranty concerning suitability for a specific customer application or use. This Information is intended for use only by customers who have the requisite experience and capability to determine the correct products for their application. Any technical advice inferred from this Information or otherwise provided by us with reference to the use of our products is given gratis, and we assume no obligation or liability for the advice given or results obtained.

Generated 5/18/2023 - 62d3eee5-9c6d-475a-b650-4e8d50220469

© 2006 - 2023 KEMET

Generated 5/18/2023 - 62d3eee5-9c6d-475a-b650-4e8d50220469

© 2006 - 2023 KEMET