



ANATECH ELECTRONICS INC
RF & Microwave Filters & Products

2350 MHz Ceramic Bandpass Filter

Part Number: AM2350B1228



Electrical specifications

Center Frequency: 2350 MHz
Bandwidth: 100 MHz
Input / Output Impedance: 50 Ohms
Passband: 2300-2400 MHz
Passband Insertion Loss: 2.0 dB max
Passband Ripple: 1.0 dB max
Passband Return Loss: 14 dB min
Rejection: 30 dBc min @ 1992-2247 MHz
Power Handling: 1 watt

Mechanical

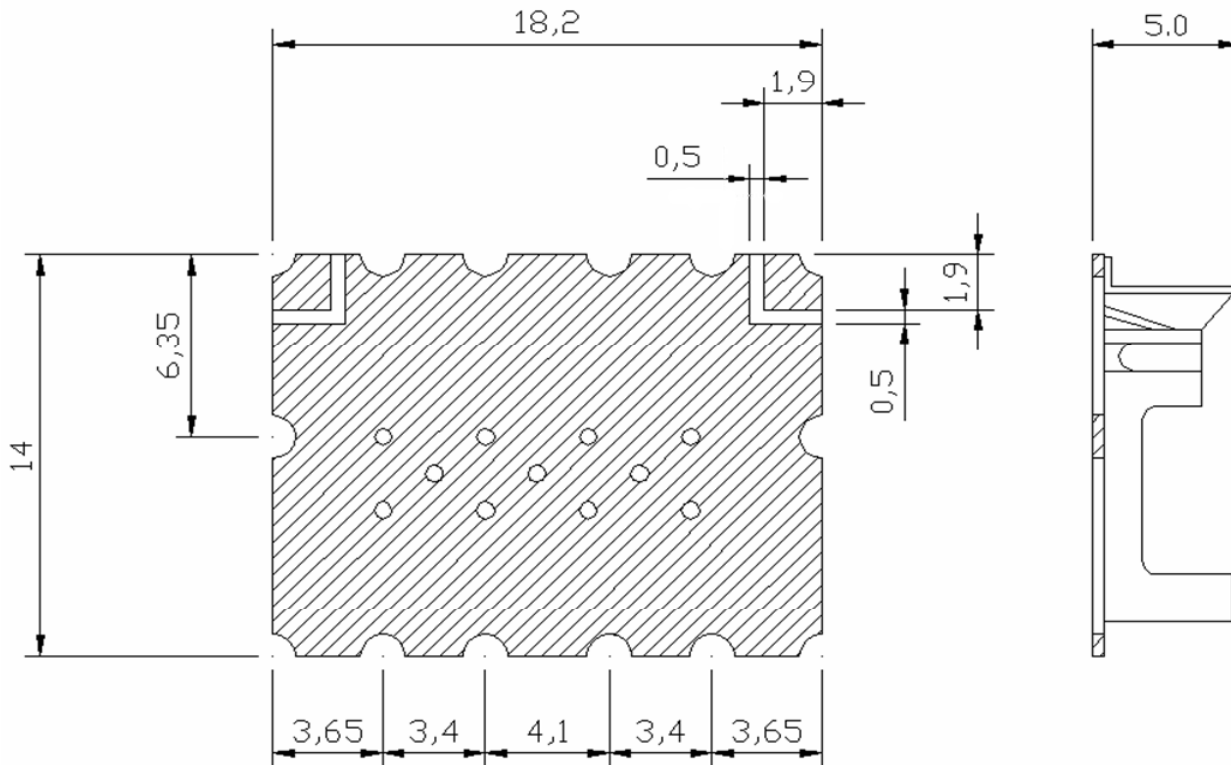
Mounting Method: SMT
Dimensions: 18.2 x 14 x 5 mm

Environmental

Operating Temperature: -40°C to +85°C
Storage Temperature: -50°C to +90°C

This product is RoHs compliant.

Outline Drawing:



Unit : mm
Tolerance : ± 0.3