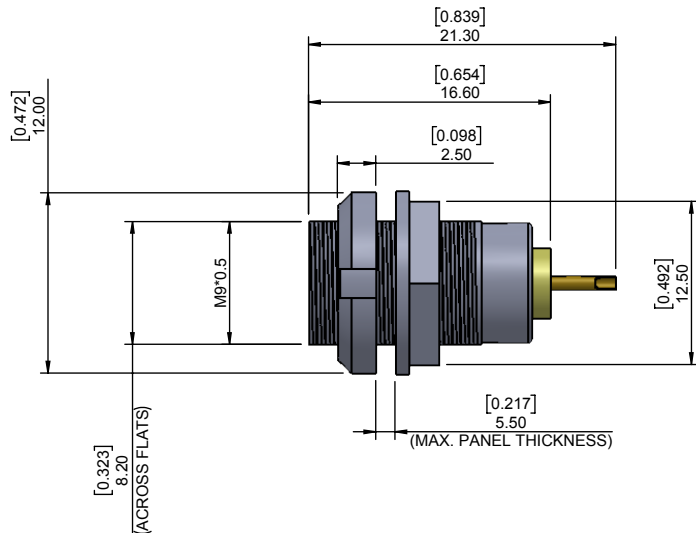


820B YYY - 2 0 3 R 00 1

SERIES 9.50 [0.374]
 # OF POSITIONS (Ex. 002)
 SEE CHART A
 2= FEMALE
 SOLDER CUP (PANEL MOUNT)
 1 = GOLD FLASH
 RoHS COMPLIANT
 NICKEL/CHROME PLATED SHELL



CHARACTERISSTICS

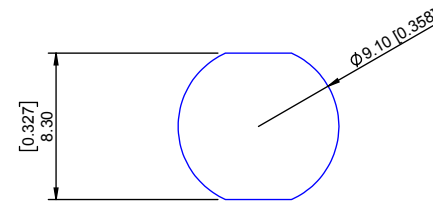
MATERIALS

SHELL : BRASS
 SHELL PLATING : NICKEL
 NUT : BRASS
 NUT PLATING : NICKEL
 LATCH SLEEVE : BRASS
 LATCH SLEEVE PLATING : NICKEL
 CONTACTS : COPPER ALLOY
 CONTACT PLATING : 7µ" GOLD PLATED OVER 196µ" NICKEL MIN.
 INSULATOR : PPS (HIGH TEMPERATURE)

MECHANICAL

DURABILITY: 5000 CYCLES
 OPERATING TEMP. RANGE: -40° C ~ +200° C
 PROCESS TEMPERATURE : 260°C FOR 5 SECONDS
 MAX. TORQUE VALUE : 2.5 Nm [22.1 IN/lbs]
 SHIELDING: 75dB @ 10MHz
 40dB @ 1GHz

IP RATING: 50



PANEL CUTOUT

TOLERANCE = +0.10, -0.0
 [+0.004, -0.00]

CHART A

● = KEY LOCATION

VIEW FROM TERMINATION END

 2 POSITION 22 AWG MAX. 10 AMP MAX. PIN Ø = 0.90 [0.035] CONTACT RESISTANCE = 6 mΩ TEST VOLTAGE = 1000V WORKING VOLTAGE = 330V	 3 POSITION 22 AWG MAX. 8 AMP MAX. PIN Ø = 0.90 [0.035] CONTACT RESISTANCE = 6 mΩ TEST VOLTAGE = 1200V WORKING VOLTAGE = 400V	 4 POSITION 24 AWG MAX. 8 AMP MAX. PIN Ø = 0.70 [0.028] CONTACT RESISTANCE = 7.5 mΩ TEST VOLTAGE = 850V WORKING VOLTAGE = 280V	 5 POSITION 24 AWG MAX. 6.5 AMP MAX. PIN Ø = 0.70 [0.028] CONTACT RESISTANCE = 7.5 mΩ TEST VOLTAGE = 850V WORKING VOLTAGE = 280V	 6 POSITION 28 AWG MAX. 2.5 AMP MAX. PIN Ø = 0.50 [0.020] CONTACT RESISTANCE = 10 mΩ TEST VOLTAGE = 850V WORKING VOLTAGE = 280V	 7 POSITION 28 AWG MAX. 2.5 AMP MAX. PIN Ø = 0.50 [0.020] CONTACT RESISTANCE = 10 mΩ TEST VOLTAGE = 800V WORKING VOLTAGE = 260V	 9 POSITION 28 AWG MAX. 2 AMP MAX. PIN Ø = 0.50 [0.020] CONTACT RESISTANCE = 10 mΩ TEST VOLTAGE = 600V WORKING VOLTAGE = 200V
---	--	---	---	--	--	--

RoHS COMPLIANT



THESE DRAWINGS AND SPECIFICATIONS ARE THE PROPERTY OF NorComp AND SHALL NOT BE REPRODUCED, COPIED OR USED AS THE BASIS FOR THE MANUFACTURE OR SALE OF APPARATUS WITHOUT WRITTEN PERMISSION.

NorComp

DRAWN: M. SIGMON	DATE: 02-05-16	SCALE: N.T.S.	SHEET 1 OF 1	REV: 3
			DWG NO. 820BYYY-203R001	