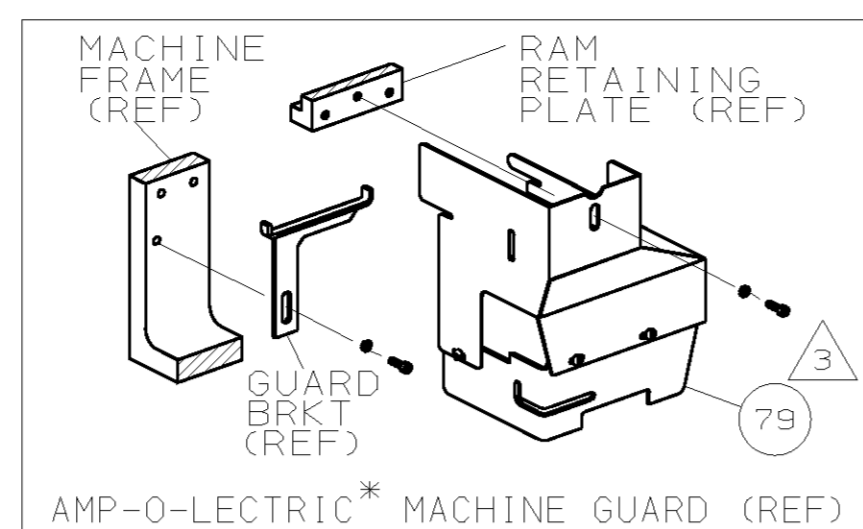
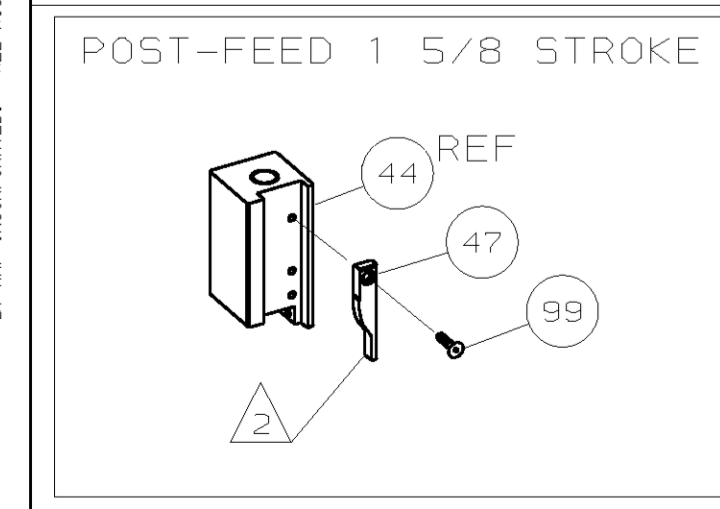
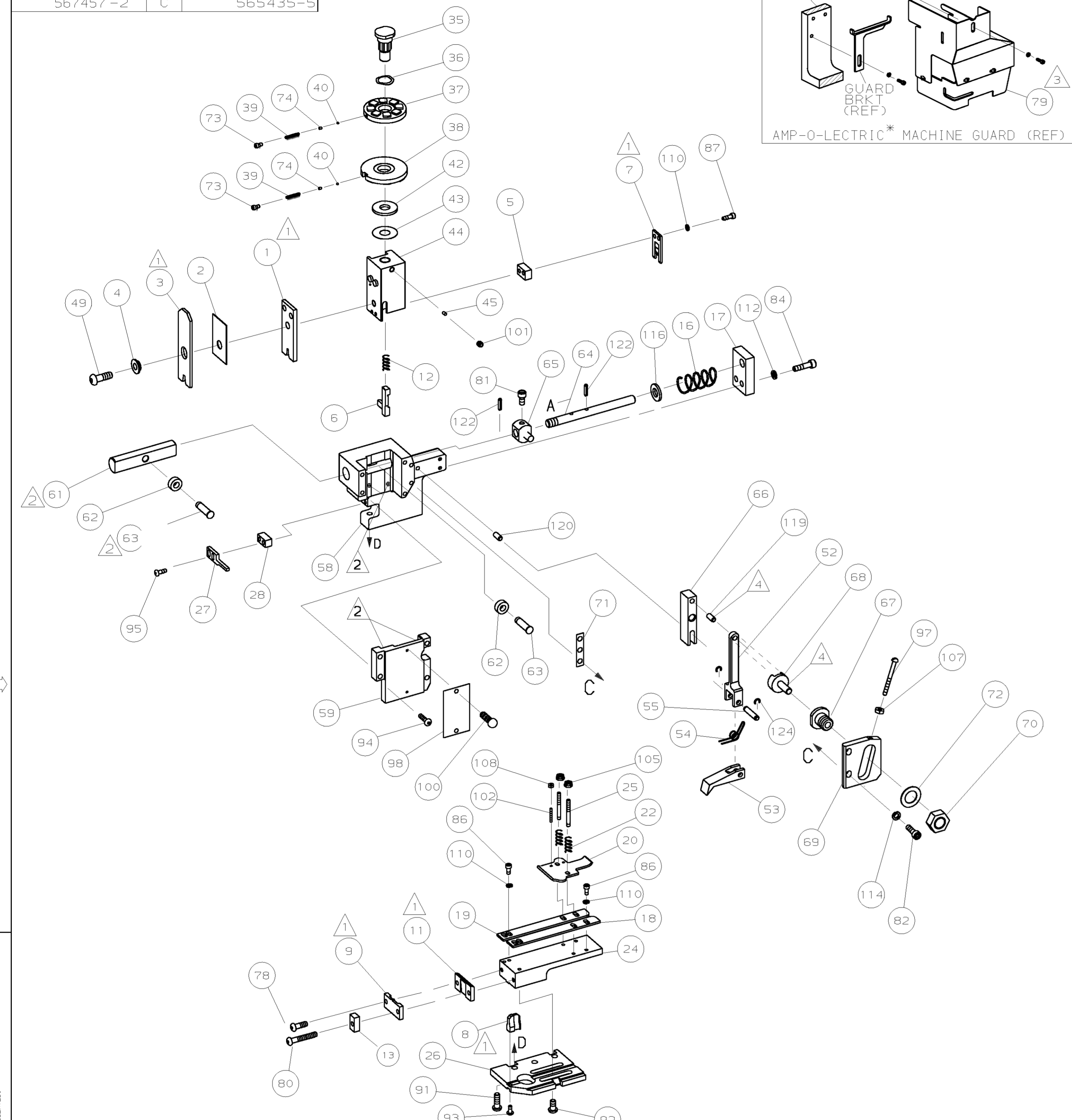


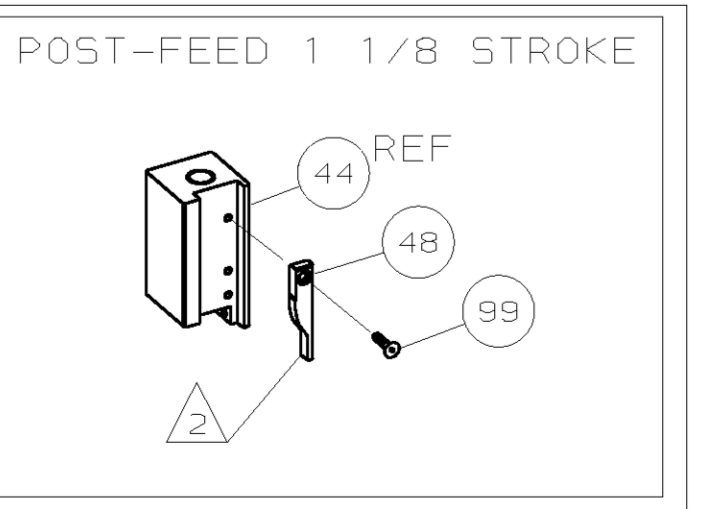
PART NUMBER	REV	FIRST USED
567457-1	C	854400-1
567457-2	C	565435-5



TERMINAL NAME:			CRIMPING DATA			
.250 SERIES TAB W/LATCH			PAD LTR	CRIMP HEIGHT	WIRE SIZE	
		170340-1	A	.066 ±.002	14	
			B	.061 ±.002	16	
			C	.056 ±.002	18	
			D	.053 ±.002	20	
CRIMP	SIZE	TYPE	RANGE			
WIRE	.110	F	20-14			
INSUL	.180	F	.083-.134			
FEED	1.043	AI 8039	SET UP GAGE	LAYOUT		
			458638-1	L1457		
WIRE STRIP LENGTH						
-						
-1	LEADMAKER		MECH-POST FEED			
-2	AMP-O-ELECTRIC		MECH-POST FEED			
TERM	APPL	SPEC	114-5052			



LEADMAKER
T TERMINATING UNIT



AMP-O-ELECTRIC
K TERMINATING UNIT

- 1 RECOMMENDED SPARE PARTS.
- 2 GREASE LIGHTLY.
- 3 GUARD MUST BE IN PLACE WHEN OPERATING APPLICATOR IN AMP-O-ELECTRIC MACHINE.
- 4 LUBRICATE DAILY USING NO. 20 MACHINE OIL.
- 5. ITEMS WITH QTY OF REF SPECIFIED (EXCEPT ITEM 79) ARE USED ON ITEM 32.

QTY	REF	DESCRIPTION	ITEM NO
125		RING, RET "C" (Ø.187) FD PIN	124
123		PIN, STD SPRING (Ø.12) FD ADJ ROD	122
121		PIN, DOWEL (Ø.187x1.50) HSG	120
119		PIN, DOWEL (Ø.187x.50) LEVER	117
118		WASHER, LOCK (NO. 10) FD ADJ PL	116
116		WASHER, FLAT (Ø5/16) SCR ADJ	115
114		WASHER, LOCK (NO. 10) FD ADJ PL	113
112		WASHER, LOCK (NO. 10) FD ROD GDE	111
111		WASHER, LOCK (NO. 8) SHEAR BL	110
109		NUT, HEX (4-40) DRAG	108
107		NUT, HEX (6-32) FD ADJ PL	106
105		NUT, HEX SL (8-32) DRAG STUD	104
103		SCR, SKT SET (4-40x.62) DRAG	102
102		SCR, SKT SET (1/4-20x.25) RAM	101
100		SCR, DRIVE (#2x.19) ID PLATE	99
99		SCR, BHC (6-32x.38) CAM	98
98		PLATE, IDENTIFICATION	97
97		SCR, PAN HD (6-32x1.50) FEED ADJ	96
95		SCR, BHC (8-32x.50) STRIPPER	94
94		SCR, BHC (10-32x.75) HSG CAP	93
93		SCR, BHC (8-32x.38 LW) ANVIL	92
92		SCR, BHC (1/4-20x.50) ST 6D PL	91
91		SCR, BHC (1/4-20x.62) BASE PL	90
89		SPRING, ASSIST	88
88		SCR, SKT CAP (6-32x.25) CP DSC	87
87		SCR, BHC (1/4-20x.62) STRIP GUIDE	86
85		SCR, SKT CAP (10-32x.75) FD GDE	84
84		SCR, SKT CAP (10-32x.62) FD ADJ P	83
83		SCR, SKT CAP (10-32x.38) PIVOT BL	82
82		SCR, BHC (10-32x1.00) SH PL	81
81		GUARD, WINDOW	80
80		SCR, BHC (10-32x.63) SH PL	79
79		SPACER	78
78		SPRING, ASSIST	77
77		SCR, SKT CAP (6-32x.25) CP DSC	76
76		SCR, SKT CAP (10-32x.38) PIVOT BL	75
75		SCR, BHC (10-32x1.00) SH PL	74
74		WASHER, FLAT (SPECIAL)	73
73		SPACER	72
72		SPRING, ASSIST	71
71		SCR, SKT CAP (6-32x.25) CP DSC	70
70		SCR, SKT CAP (10-32x.38) PIVOT BL	69
69		SCR, BHC (10-32x1.00) SH PL	68
68		GUARD, WINDOW	67
67		SCR, BHC (10-32x.63) SH PL	66
66		SPACER	65
65		SPRING, ASSIST	64
64		SCR, SKT CAP (6-32x.25) CP DSC	63
63		SCR, SKT CAP (10-32x.38) PIVOT BL	62
62		SCR, BHC (10-32x1.00) SH PL	61
61		GUARD, WINDOW	60
60		SCR, BHC (10-32x.63) SH PL	59
59		SPACER	58
58		SPRING, ASSIST	57
57		SCR, SKT CAP (6-32x.25) CP DSC	56
56		SCR, SKT CAP (10-32x.38) PIVOT BL	55
55		SCR, BHC (10-32x1.00) SH PL	54
54		GUARD, WINDOW	53
53		SCR, BHC (10-32x.63) SH PL	52
52		SPACER	51
51		SPRING, ASSIST	50
50		SCR, SKT CAP (6-32x.25) CP DSC	49
49		SCR, SKT CAP (10-32x.38) PIVOT BL	48
48		SCR, BHC (10-32x1.00) SH PL	47
47		GUARD, WINDOW	46
46		SCR, BHC (10-32x.63) SH PL	45
45		SPACER	44
44		SPRING, ASSIST	43
43		SCR, SKT CAP (6-32x.25) CP DSC	42
42		SCR, SKT CAP (10-32x.38) PIVOT BL	41
41		SCR, BHC (10-32x1.00) SH PL	40
40		GUARD, WINDOW	39
39		SCR, BHC (10-32x.63) SH PL	38
38		SPACER	37
37		SPRING, ASSIST	36
36		SCR, SKT CAP (6-32x.25) CP DSC	35
35		SCR, SKT CAP (10-32x.38) PIVOT BL	34
34		SCR, BHC (10-32x1.00) SH PL	33
33		GUARD, WINDOW	32
32		SCR, BHC (10-32x.63) SH PL	31
31		SPACER	30
30		SPRING, ASSIST	29
29		SCR, SKT CAP (6-32x.25) CP DSC	28
28		SCR, SKT CAP (10-32x.38) PIVOT BL	27
27		SCR, BHC (10-32x1.00) SH PL	26
26		GUARD, WINDOW	25
25		SCR, BHC (10-32x.63) SH PL	24
24		SPACER	23
23		SPRING, ASSIST	22
22		SCR, SKT CAP (6-32x.25) CP DSC	21
21		SCR, SKT CAP (10-32x.38) PIVOT BL	20
20		SCR, BHC (10-32x1.00) SH PL	19
19		GUARD, WINDOW	18
18		SCR, BHC (10-32x.63) SH PL	17
17		SPACER	16
16		SPRING, ASSIST	15
15		SCR, SKT CAP (6-32x.25) CP DSC	14
14		SCR, SKT CAP (10-32x.38) PIVOT BL	13
13		SCR, BHC (10-32x1.00) SH PL	12
12		GUARD, WINDOW	11
11		SCR, BHC (10-32x.63) SH PL	10
10		SPACER	9
9		SPRING, ASSIST	8
8		SCR, SKT CAP (6-32x.25) CP DSC	7
7		SCR, SKT CAP (10-32x.38) PIVOT BL	6
6		SCR, BHC (10-32x1.00) SH PL	5
5		GUARD, WINDOW	4
4		SCR, BHC (10-32x.63) SH PL	3
3		SPACER	2
2		SPRING, ASSIST	1

QTY	REF	U/M	DWG SIZE	PART NO	DESCRIPTION	ITEM NO
-2	-1	U/M	DWG SIZE	PART NO	DESCRIPTION	ITEM NO
REVISION OF EACH ASSY NO (WHEN BLANK, USE DWG REVISION)						
QTY	REF	U/M	DWG SIZE	PART NO	DESCRIPTION	ITEM NO

REF	REF	-	A	22594-8	NUT, HEX	70
REF	REF	-	B	240628-1	PLATE, ADJ	69
REF	REF	-	B	240626-1	SHAFT, PIVOT	68
REF	REF	-	B	240633-1	BUSHING	67
REF	REF	-	A	455680-1	LEVER, INTERMEDIATE	66
REF	REF	-	B	240629-1	BLOCK, PIVOT	65
REF	REF	-	A	240632-2	SCR, ADJ	64
REF	REF	-	B	240659-3	PIN, CAM ROLLER	63
REF	REF	-	B	240658-1	CAM, ROLLER	62
REF	REF	-	B	454398-1	ROD, FEED	61
						60
						59
						58
						57
						56
						55
						54
						53
						52
						51
						50
1	1	-	A	7-21002-9	BOLT, CRIMPER (5/16-24x1.00)	49
1	-	-	B	690501-3	CAM, POST FEED 1 1/8 ST	48
-	1	-	B	690501-4	CAM, POST-FEED 1 5/8 ST	47
						46
1	1	-	A	690191-1	PLUG, NYLON	45
1	1	-	C	455674-1	RAM	44
1	1	-	A	690125-1	WASHER, LAMINATED	43
1	1	-	A	690124-1	WASHER, RAM	42
						41
2	2	-	A	23241-6	BALL, STEEL	40
2	2	-	A	690170-1	SPRING, COMPRESSION	39
1	1	-	C	690142-1	DISC, INSULATION	38
1	1	-	D	6-455829-6	DISC, WIRE	37
1	1	-	A	22480-5	WASHER, SPRING	36
1	1	-	B	690212-1	POST, RAM	35
						34
						33
1	1	-	D	458980-1	APPLICATOR, BASIC (SUB ASSY)	32
						31
						30
						29
1	1	-	B	3-690451-2	SPACER, STRIPPER	28
1	1	-	A	240639-1	STRIPPER	27
REF	REF	-	C	455676-1	PLATE, BASE	26
2	2	-	A	22354-8	DRAG, STUD	25
1	1	-	B	455678-1	PLATE, STRIP GUIDE	24
						23
2	2	-	A	4-22281-1	SPRING, DRAG	22
						21
1	1	-	A	454177-1	DRAG, STOCK	20
1	1	-	B	458030-9	GUIDE, STRIP (REAR)	19
1	1	-	C	458031-9	GUIDE, STRIP (FRONT)	18
REF	REF	-	A	454178-1	GUIDE, FEED ROD	17
REF	REF	-	A	4-22284-9	SPRING, FEED RETURN	16
						15
						14
1	1	-	C	1-690481-0	SPACER, HOLD DOWN	13
1	1	-	A	23846-1	SPRING, HOLD DOWN	12
1	1	-	B	240644-1	PLATE, REAR SHEAR	11
						10
1	1	-	B	690482-4	PLATE, FRONT SHEAR	9
1	1	-	D	3-461295-5	ANVIL	8
1	1	-	B	690474-4	BLADE, SLUG	7
1	1	-	D	1-455892-5	HOLD DOWN, TERMINAL	6
1	1	-	C	5-240641-7	SPACER, SLUG BLADE	5
1	1	-	B	238009-4	SPACER, BLOCK CRIMPER	4
1	1	-	C	9-456134-7	CRIMPER, INSULATION	3
1	1	-	B	455888-8	SPACER, CRIMPER	2
1	1	-	C	456408-6	CRIMPER, WIRE	1