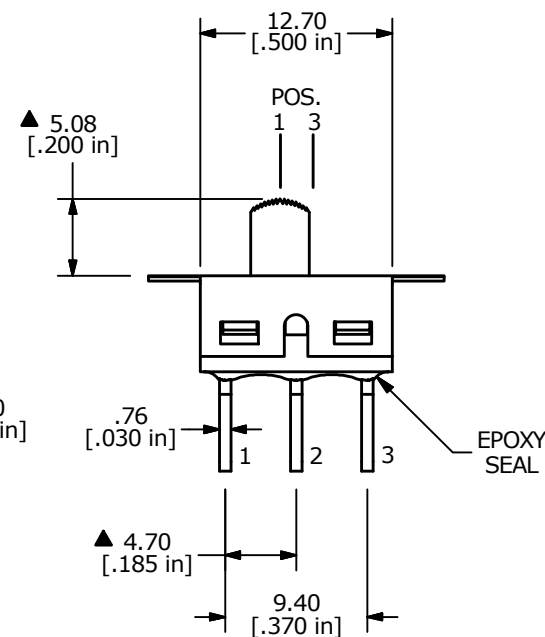
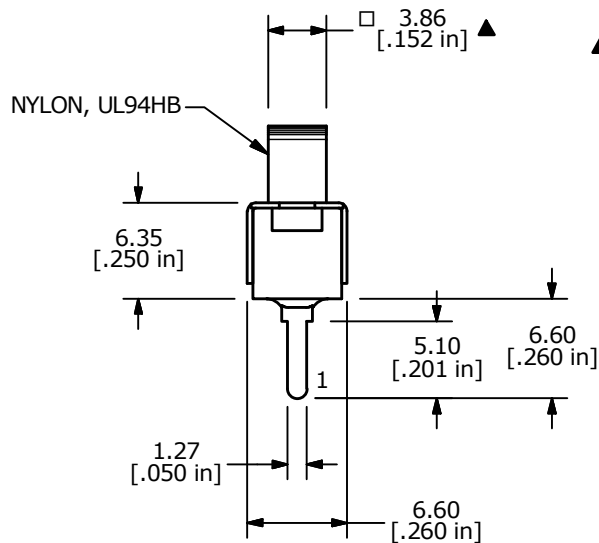
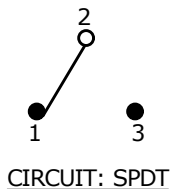


▲ SWITCH FUNCTION		
POS. 1	POS. 2	POS. 3
ON	NONE	ON
2-1	OPEN	2-3



- NOTE:**
- ALL DIMENSIONS IN MM [INCH]
  - GENERAL TOLERANCE: X.X =  $\pm 0.4$   
X.XX =  $\pm 0.25$
  - TERMINAL NUMBERS FOR REF ONLY
  - ▲ 4. PLATING MATERIAL: GOLD
  - RATING: 0.4 (VA) MAX. @20V MAX.
  - ELECTRIC LIFE: 30,000 MAKE AND BREAK CYCLES.
  - INSULATION RESISTANCE: 1,000 MEGA-OHM MIN.
  - DIELECTRIC STRENGTH: 1,000 V RMS @SEA LEVEL.
  - OPERATING TEMP.: -30°C to 85°C
  - ▲ DENOTES CRITICAL PARAMETER.
  - PACKAGE: TRAY - 630pcs/TRAY
  - 2011/65/EU (ROHS) COMPLIANT



B	23131	update drawing	12/5/17	MW
A	16834	RELEASED FOR PRODUCTION	1/9/07	TN
REV	PCR NO	DESCRIPTION	DATE	BY

TITLE 500SSP1S1M2REB				
SCALE 2:1	DATE 1/9/2007	DR TN	DWG T511067	REV B

THE INFORMATION CONTAINED IN THIS DOCUMENT IS PROPRIETARY TO E-SWITCH AND IS NOT TO BE COPIED OR TRANSFERRED