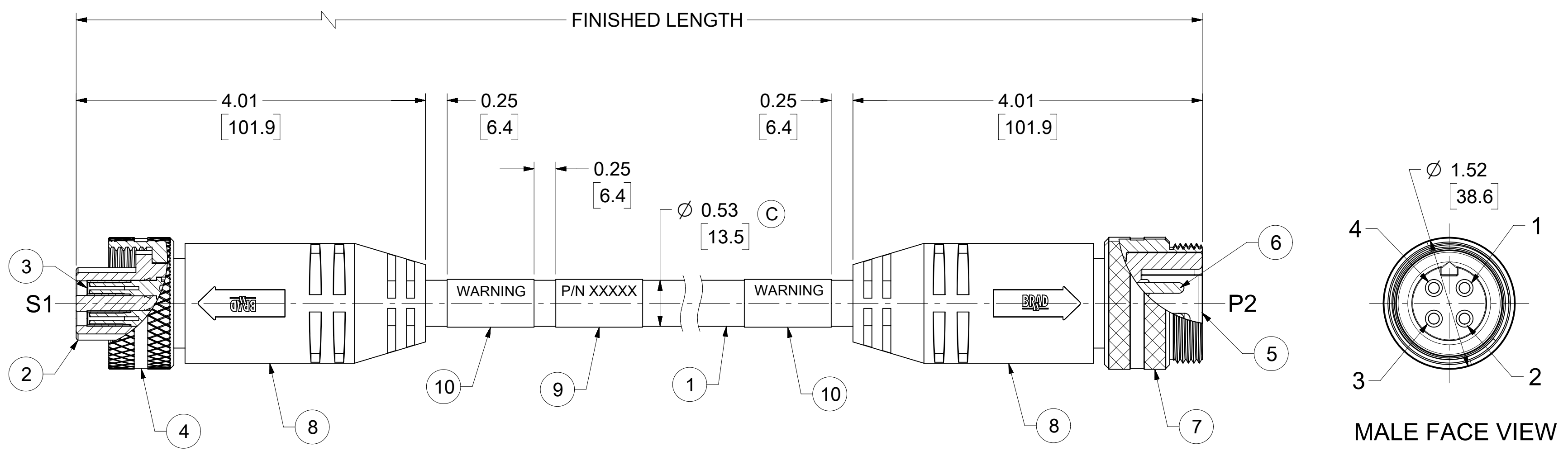
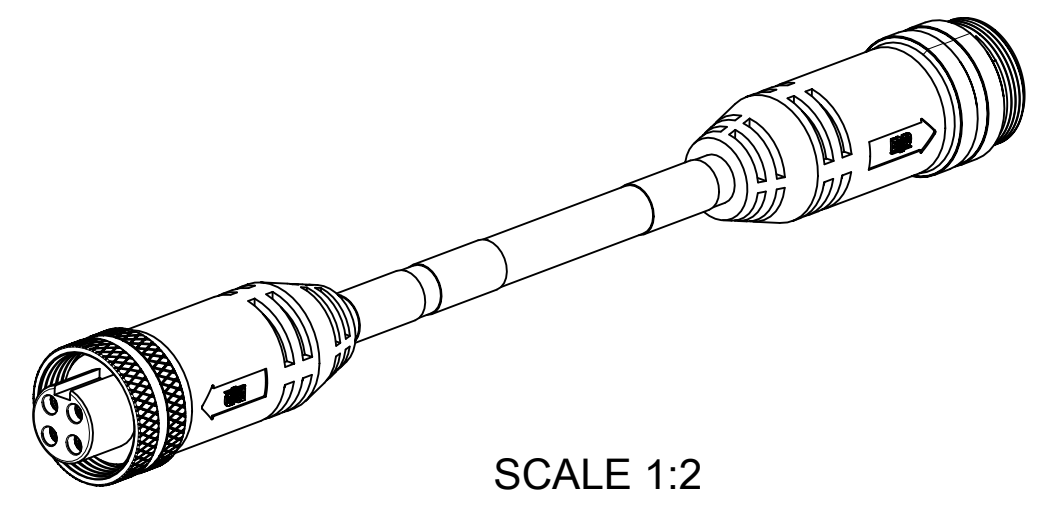


MATERIAL NO.	ENGINEERING NO.	FINISHED LENGTH
1300640453	CC4030K17M010G	1M (3 FT 3.37 IN)
1300640515	CC4030K17M650G	65M (213 FT 3.06 IN)
1300642118	CC4030K17T130G	130M (426 FT 6.11 IN)

C CABLE LENGTH TOLERANCES

<.3M [1FT]:	+19mm-0 [+.75in-0]
.3 - .9M [1 - 3FT]:	+44.5mm-0 [+1.75in-0]
.9 - 1.8M [3 - 6FT]:	+55.6mm-0 [+2.19in-0]
1.8 - 3.7M [6 - 12FT]:	+88.9mm-0 [+3.50in-0]
3.7 - 7.3M [12 - 24FT]:	+165.1mm-0 [+6.50in-0]
7.3-14.6M [24 - 48FT]:	+317.5mm-0 [+12.50in-0]
14.6 - 30.5M [48-100FT]:	+622.3mm-0 [+24.50in-0]
OVER 30M [100FT]	+2% OF FINISHED LENGTH



- NOTES:**
1. MATERIAL: AS NOTED
 2. FINISH: AS NOTED
 3. ELECTRICAL:
VOLTAGE: 500V PER IEC60664 **C**
600V PER UL2237
CURRENT: 32A
 4. TEMP RATING: -20°C TO +90°C
 5. PROTECTION: IP67 (WHEN MATED)
 6. UL LISTED FILE: 258922
 7. COUPLING THREAD: 1 3/8"-16 UN
 8. ALL DIMS ARE FOR REFERENCE UNLESS TOLERANCED OR NOTED OTHERWISE

WIRING DIAGRAM

S1		P2	
1	BLACK #1	1	
2	GREEN/YELLOW	2	
3	BLACK #3	3	
4	BLACK #2	4	

PART NUMBER LEGEND **C**

CC4030K17M010G

FINISHED LENGTH
M001 = 0.1 METER
M010 = 1.0 METER
M100 = 10.0 METER
T100 = 100 METER

ITEM	DESCRIPTION	MATERIAL	FINISH
10	WARNING LABEL	VINYL	ORANGE/BLACK
9	WRAP LABEL	VINYL	BLACK/YELLOW
8	OVERMOLD	TPE	BLACK
7	MALE COUPLING NUT	ALUMINIUM	CLEAR ANODIZE
6	PIN CONTACT	Cu ALLOY	GOLD OVER NICKEL
5	MALE INSERT	TPE	BLACK
4	FEMALE COUPLING NUT	ALUMINIUM	CLEAR ANODIZE
3	SOCKET CONTACT	Cu ALLOY	GOLD OVER NICKEL
2	FEMALE INSERT	TPE	BLACK
1	CABLE, #10-4, TC-ER	TPE	BLACK

FUNCTIONAL SYMBOLS	THIS DRAWING CONTAINS INFORMATION THAT IS PROPRIETARY TO MOLEX ELECTRONIC TECHNOLOGIES, LLC AND SHOULD NOT BE USED WITHOUT WRITTEN PERMISSION	CURRENT REV DESC: UPDATED ITEM #2,5,8 WERE PVC, 9&10, WERE PLASTIC FILM, PART NO. LEGEND ADDED MATERIAL TABLE, TOL. TABLE, IEC VOLT & CABLE DIA.		<p>BRAD POWER, M35 4 POLE, FEMALE-MALE, STRAIGHT, SINGLE KEY 10 AWG</p>																																
	<table border="1"> <thead> <tr> <th>DIMENSION UNITS</th> <th colspan="2">SCALE</th> </tr> <tr> <td>INCH/MM</td> <td colspan="2">1:1</td> </tr> </thead> <tbody> <tr> <td colspan="3">GENERAL TOLERANCES (UNLESS SPECIFIED)</td> </tr> <tr> <td>4 PLACES</td> <td>±</td> <td>±</td> </tr> <tr> <td>3 PLACES</td> <td>±</td> <td>±</td> </tr> <tr> <td>2 PLACES</td> <td>±</td> <td>±</td> </tr> <tr> <td>1 PLACE</td> <td>±</td> <td>±</td> </tr> <tr> <td>0 PLACES</td> <td>±</td> <td>±</td> </tr> <tr> <td colspan="3">ANGULAR TOL ± °</td> </tr> </tbody> </table>	DIMENSION UNITS	SCALE		INCH/MM	1:1		GENERAL TOLERANCES (UNLESS SPECIFIED)			4 PLACES	±	±	3 PLACES	±	±	2 PLACES	±	±	1 PLACE	±	±	0 PLACES	±	±	ANGULAR TOL ± °			<table border="1"> <tr> <td>EC NO: 709714</td> <td>2020/05/29</td> </tr> <tr> <td>DRWN: VHANDI</td> <td>2022/06/08</td> </tr> <tr> <td>CHK'D: RSTONE</td> <td>2022/06/14</td> </tr> <tr> <td>APPR: BWOODMAN</td> <td></td> </tr> </table>	EC NO: 709714	2020/05/29	DRWN: VHANDI	2022/06/08	CHK'D: RSTONE	2022/06/14	APPR: BWOODMAN
DIMENSION UNITS	SCALE																																			
INCH/MM	1:1																																			
GENERAL TOLERANCES (UNLESS SPECIFIED)																																				
4 PLACES	±	±																																		
3 PLACES	±	±																																		
2 PLACES	±	±																																		
1 PLACE	±	±																																		
0 PLACES	±	±																																		
ANGULAR TOL ± °																																				
EC NO: 709714	2020/05/29																																			
DRWN: VHANDI	2022/06/08																																			
CHK'D: RSTONE	2022/06/14																																			
APPR: BWOODMAN																																				
DIVISIONAL SYMBOLS	<table border="1"> <tr> <td>DRWN: BRUPERT</td> <td>2011/11/09</td> </tr> <tr> <td>APPR: BWOODMAN</td> <td>2014/09/04</td> </tr> </table>	DRWN: BRUPERT	2011/11/09	APPR: BWOODMAN	2014/09/04	<table border="1"> <tr> <td>INITIAL REVISION:</td> <td></td> </tr> <tr> <td>DRWN: BRUPERT</td> <td>2011/11/09</td> </tr> <tr> <td>APPR: BWOODMAN</td> <td>2014/09/04</td> </tr> </table>		INITIAL REVISION:		DRWN: BRUPERT	2011/11/09	APPR: BWOODMAN	2014/09/04	<table border="1"> <tr> <td>DOCUMENT NUMBER</td> <td>DOC TYPE</td> <td>DOC PART</td> <td>REVISION</td> </tr> <tr> <td>SD-130064-006</td> <td>PSD</td> <td>001</td> <td>C</td> </tr> </table>	DOCUMENT NUMBER	DOC TYPE	DOC PART	REVISION	SD-130064-006	PSD	001	C														
DRWN: BRUPERT	2011/11/09																																			
APPR: BWOODMAN	2014/09/04																																			
INITIAL REVISION:																																				
DRWN: BRUPERT	2011/11/09																																			
APPR: BWOODMAN	2014/09/04																																			
DOCUMENT NUMBER	DOC TYPE	DOC PART	REVISION																																	
SD-130064-006	PSD	001	C																																	
<table border="1"> <tr> <td>DRAFT WHERE APPLICABLE MUST REMAIN WITHIN DIMENSIONS</td> <td>THIRD ANGLE PROJECTION</td> <td>DRAWING</td> <td>SERIES</td> </tr> <tr> <td></td> <td></td> <td>C-SIZE</td> <td>130064</td> </tr> </table>		DRAFT WHERE APPLICABLE MUST REMAIN WITHIN DIMENSIONS	THIRD ANGLE PROJECTION	DRAWING	SERIES			C-SIZE	130064	<table border="1"> <tr> <td>MATERIAL NUMBER</td> <td>CUSTOMER</td> <td>SHEET NUMBER</td> </tr> <tr> <td>SEE TABLE</td> <td>GENERAL MARKET</td> <td>1 OF 1</td> </tr> </table>		MATERIAL NUMBER	CUSTOMER	SHEET NUMBER	SEE TABLE	GENERAL MARKET	1 OF 1																			
DRAFT WHERE APPLICABLE MUST REMAIN WITHIN DIMENSIONS	THIRD ANGLE PROJECTION	DRAWING	SERIES																																	
		C-SIZE	130064																																	
MATERIAL NUMBER	CUSTOMER	SHEET NUMBER																																		
SEE TABLE	GENERAL MARKET	1 OF 1																																		