

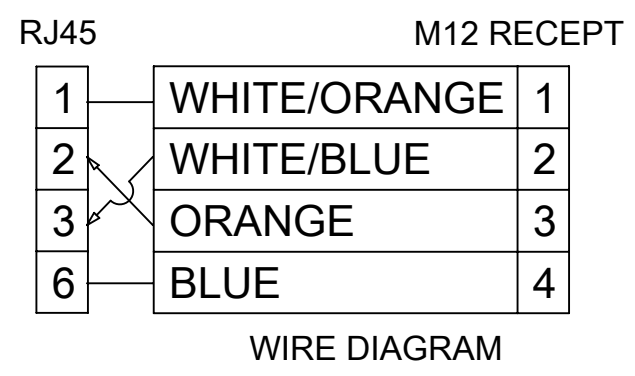
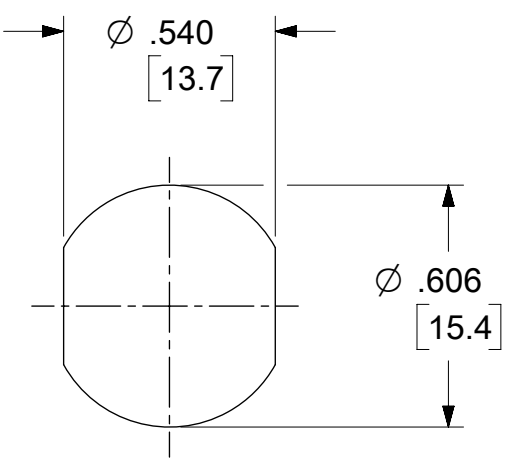
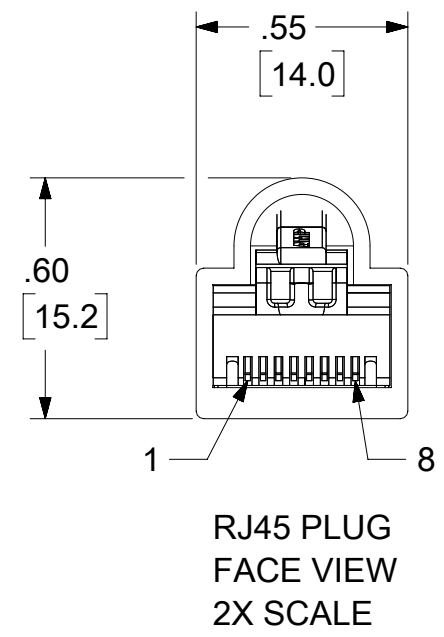
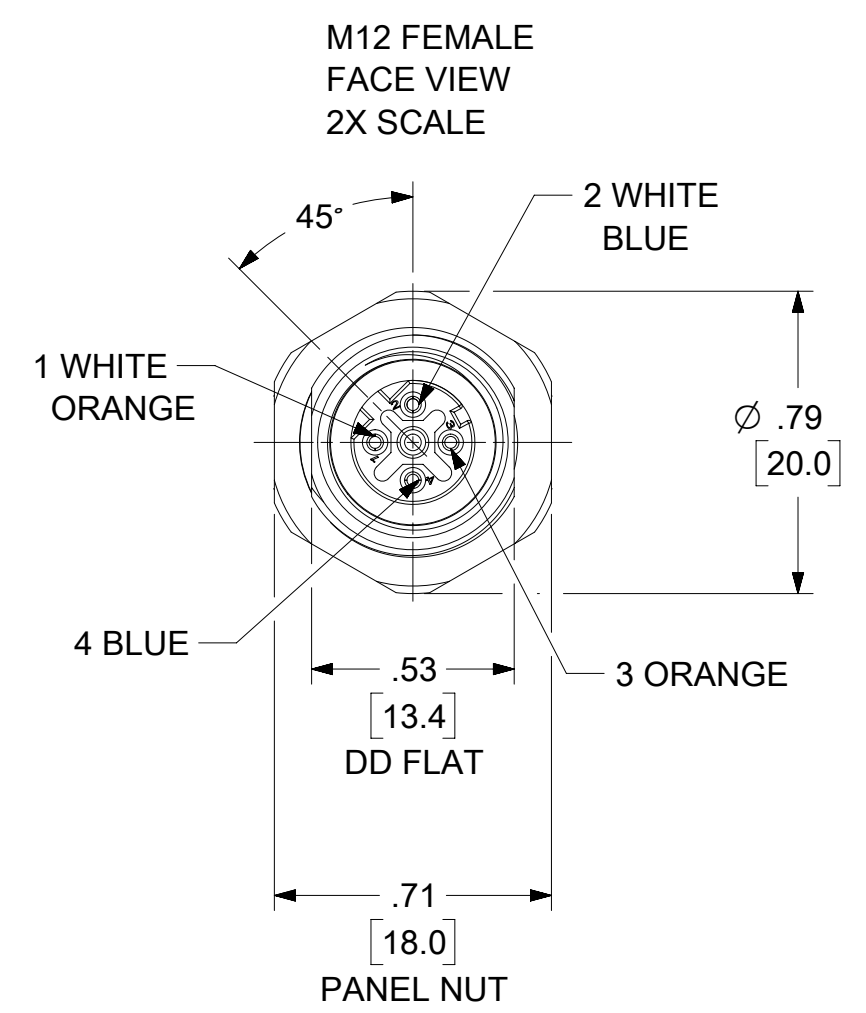
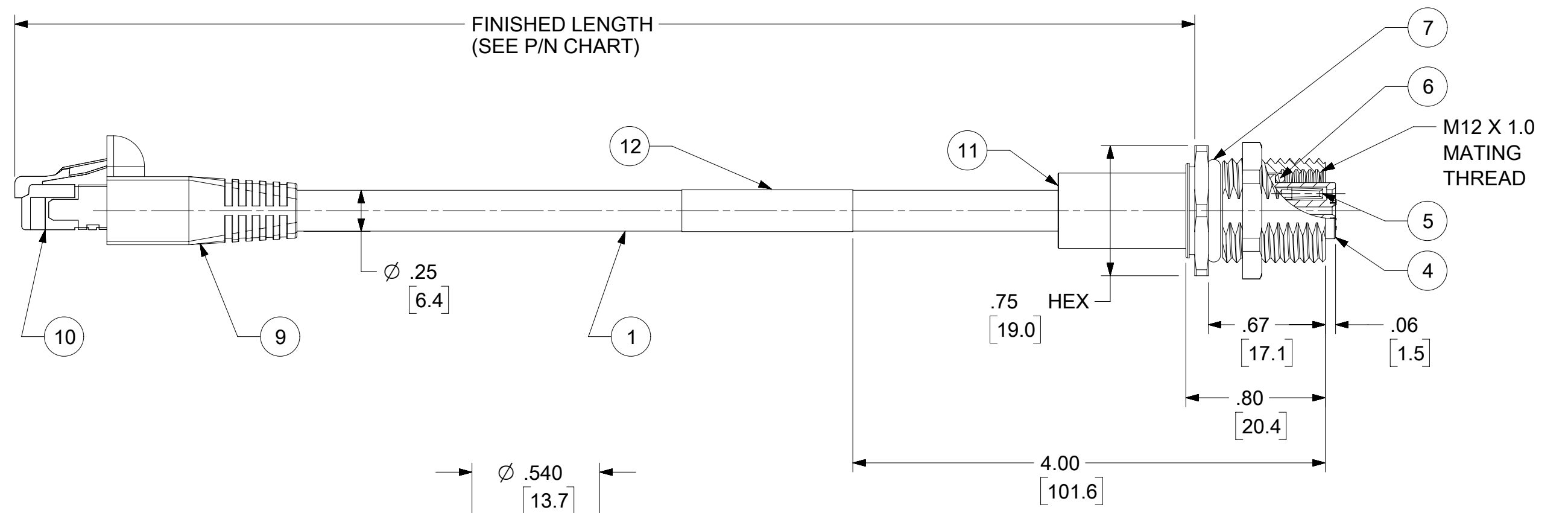
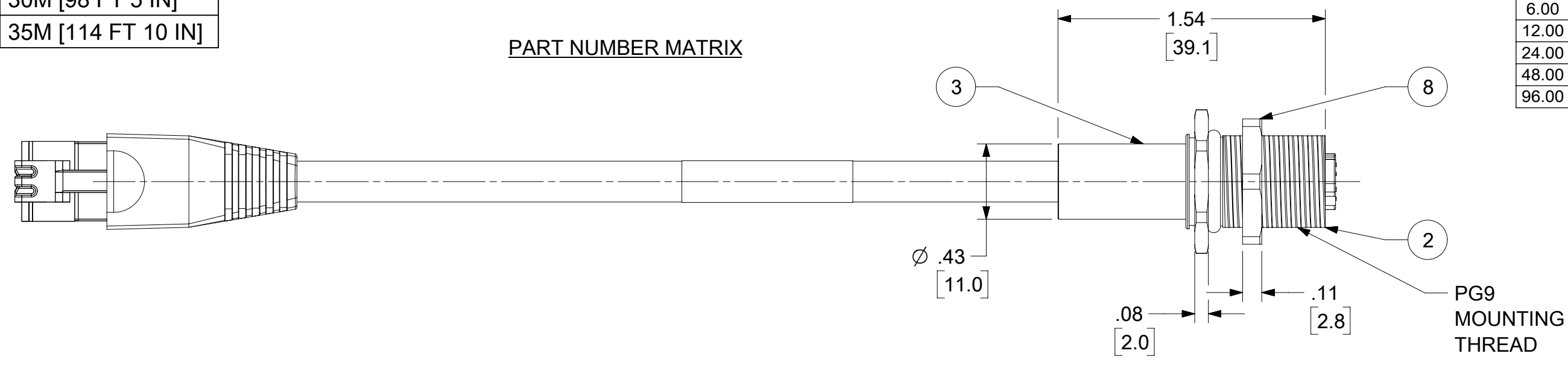
PART NO.	ENG. NO.	FINISHED LENGTH
1300540003	ER1PAB3002M005	0.5M [1 FT 8 IN]
1300540004	ER1PAB3002M010	1M [3 FT 3 IN]
1300540005	ER1PAB3002M020	2M [6 FT 7 IN]
1300540040	ER1PAB3002M200	20M [65 FT 7 IN]
1300540041	ER1PAB3002M300	30M [98 FT 5 IN]
1300540042	ER1PAB3002M350	35M [114 FT 10 IN]

# ER1PAB3002M200

LENGTH  
M001 = .1 METERS  
M010 = 1.0 METERS  
M100 = 10 METERS

## PART NUMBER MATRIX

TOLERANCE CHART					
FINISH LENGTH [FT]		TOLERANCE [IN]	FINISH LENGTH [M]		TOLERANCE [mm]
OVER	UNDER		OVER	UNDER	
0.00	.167	N/A	0.0	0.05	NA
.167	.500	+.63 -0	0.05	0.15	+16 -0
.500	1.00	+.75 -0	0.15	0.3	+19 -0
1.00	3.00	+1.75 -0	0.3	0.9	+44.5 -0
3.00	6.00	+2.19 -0	0.9	1.8	+55.6 -0
6.00	12.00	+3.50 -0	1.8	3.7	+88.8 -0
12.00	24.00	+6.50 -0	3.7	7.3	+165.1 -0
24.00	48.00	+12.50 -0	7.3	21.9	+317.5 -0
48.00	96.00	+24.50 -0	21.9	29.3	+622.3 -0
96.00	~	+2.00% -0	29.3	~	+2% OF FIN LGTH



- NOTES:  
1. MATERIAL: AS NOTED  
2. FINISH: AS NOTED  
3. ELECTRICAL:  
VOLTAGE: 125V  
CURRENT: 1.5A  
4. TEMP RATING: -25°TO +75°C  
5. PROTECTION: IP67 (WHEN MATED)  
6. UL CERTIFIED FILE: E200650 (PENDING)  
7. ALL DIMS ARE FOR REFERENCE UNLESS TOLERANCED OR NOTED OTHERWISE

ITEM	DESCRIPTION	MATERIAL	FINISH
12	WRAP LABEL	VINYL	BLACK/YELLOW
11	POTTING MATERIAL	EPOXY	BLACK
10	RJ-45 PLUG, SHIELDED	PHOS-BRNZ CONT.	GOLD PLATED
9	RJ-45 BOOT	PVC	BLACK
8	PANEL NUT	BRASS	NICKEL PLATED
7	O-RING (PANEL)	VITON	BLACK
6	O-RING (MATING)	VITON	RED
5	CONTACT SOCKET	Cu ALLOY	GOLD PLATED
4	INSERT (D-CODE)	PUR	BLACK
3	SLEEVE	BRASS	NICKEL PLATED
2	RECEPTACLE SHELL	BRASS	NICKEL PLATED
1	CABLE, 24AWG, 2 PAIR	PVC JACKET	TEAL
ITEM	DESCRIPTION	MATERIAL	FINISH

FUNCTIONAL SYMBOLS FA = 0 FE = 0 FP = 0	THIS DRAWING CONTAINS INFORMATION THAT IS PROPRIETARY TO MOLEX ELECTRONIC TECHNOLOGIES, LLC AND SHOULD NOT BE USED WITHOUT WRITTEN PERMISSION		CURRENT REV DESC: INITIAL RELEASE	
	DIMENSION UNITS INCH/MM	SCALE 1.5:1	EC NO: 637322 DRWN: RSTONE 2020/04/09 CHK'D: MZIELINSKI 2020/04/16 APPR: BWOODMAN 2020/06/08	
GENERAL TOLERANCES (UNLESS SPECIFIED)		INITIAL REVISION: DRWN: APPR:		
4 PLACES ±		ANGULAR TOL ± °		
3 PLACES ±		DRAFT WHERE APPLICABLE MUST REMAIN WITHIN DIMENSIONS		
2 PLACES ±		THIRD ANGLE PROJECTION		
1 PLACE ±		DRAWING C-SIZE		
0 PLACES ±		SERIES 130054		
DOCUMENT NUMBER 1300540040		CUSTOMER GENERAL MARKET		REVISION A
DOCUMENT STATUS P1		RELEASE DATE 2020/06/08 19:05:21		SHEET NUMBER 1 OF 1

