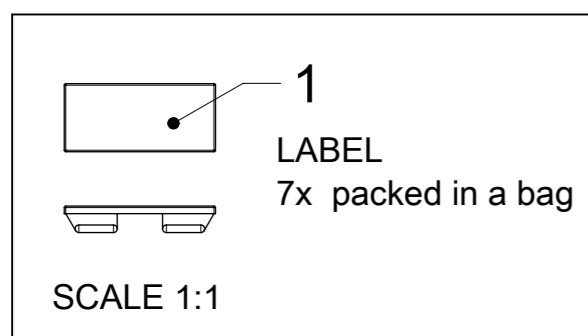


TABLE 1

| MOLEX P/N | ENG. NO. | CABLE LENGTH (mm) | LED |
|------------|----------------|-------------------|-----|
| 1202510010 | BKB6000-FBW-05 | 5000 | NO |
| 1202510011 | BKB6000-FBW-10 | 10000 | NO |
| 1202510012 | BKB6000-FBW-15 | 15000 | NO |
| 1202510013 | BKB600P-FBW-05 | 5000 | YES |
| 1202510014 | BKB600P-FBW-10 | 10000 | YES |
| 1202510015 | BKB600P-FBW-15 | 15000 | YES |
| 1202510016 | BKB600N-FBW-05 | 5000 | YES |
| 1202510017 | BKB600N-FBW-10 | 10000 | YES |
| 1202510018 | BKB600N-FBW-15 | 15000 | YES |

TABLE 2 BILL OF MATERIAL

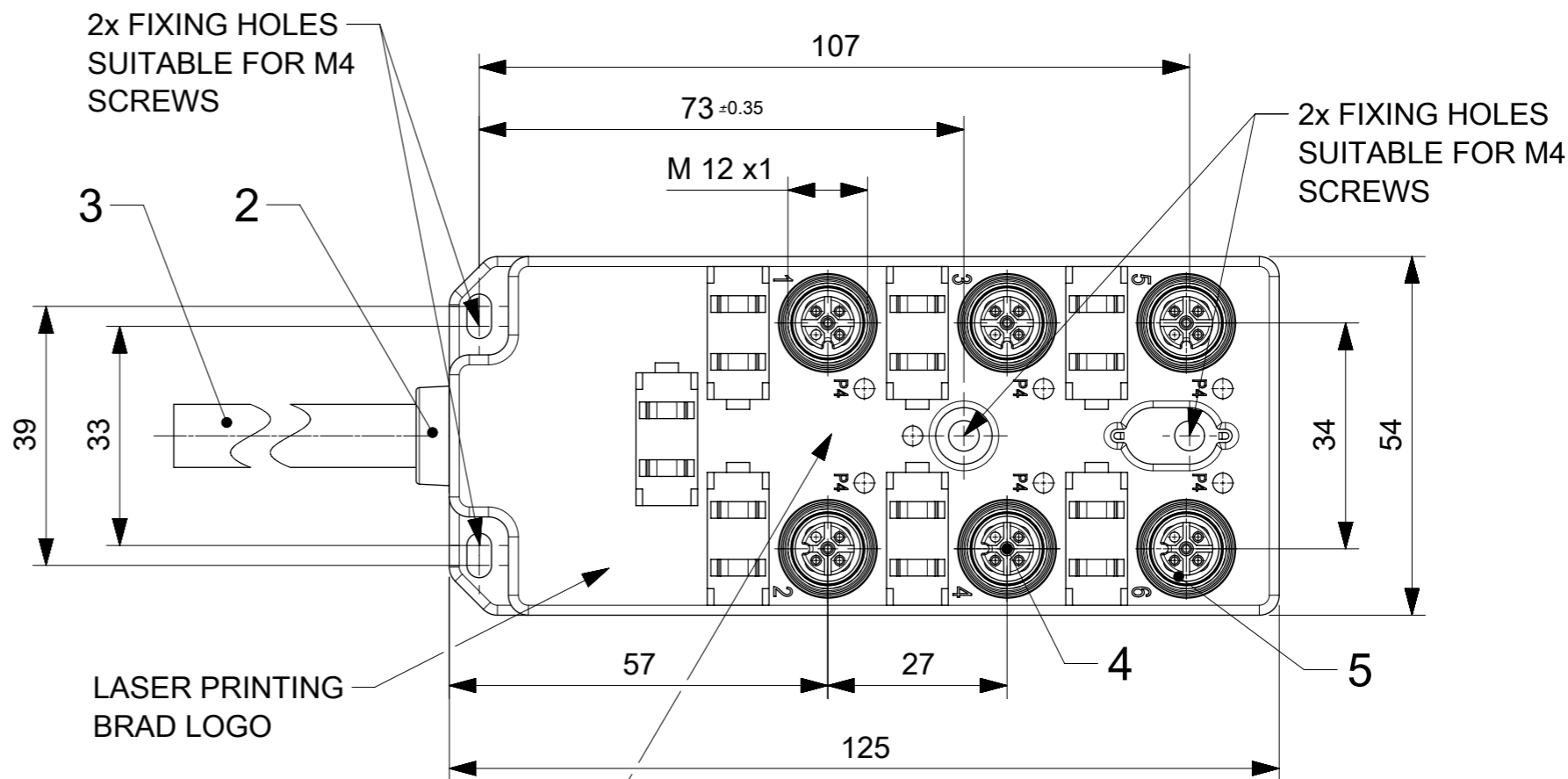
| ITEM | DESCRIPTION | MATERIAL | FINISH |
|------|-------------|---------------|------------------|
| 1 | LABEL | ABS | WHITE |
| 2 | CABLE PLATE | PBT | BLACK |
| 3 | CABLE | TPU BASED | BLACK |
| 4 | CONTACT | BRONZE | GOLD OVER NICKEL |
| 5 | O-RING | FPM | RED |
| 6 | LED | NO LED = PA | BLACK |
| | | WITH LED = PA | TRANSPARENT |
| 7 | SHELL | BRASS | NICKEL PLATED |
| 8 | HOUSING | PBT | BLACK |



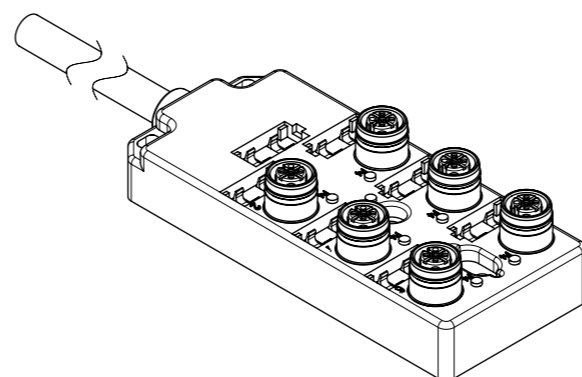
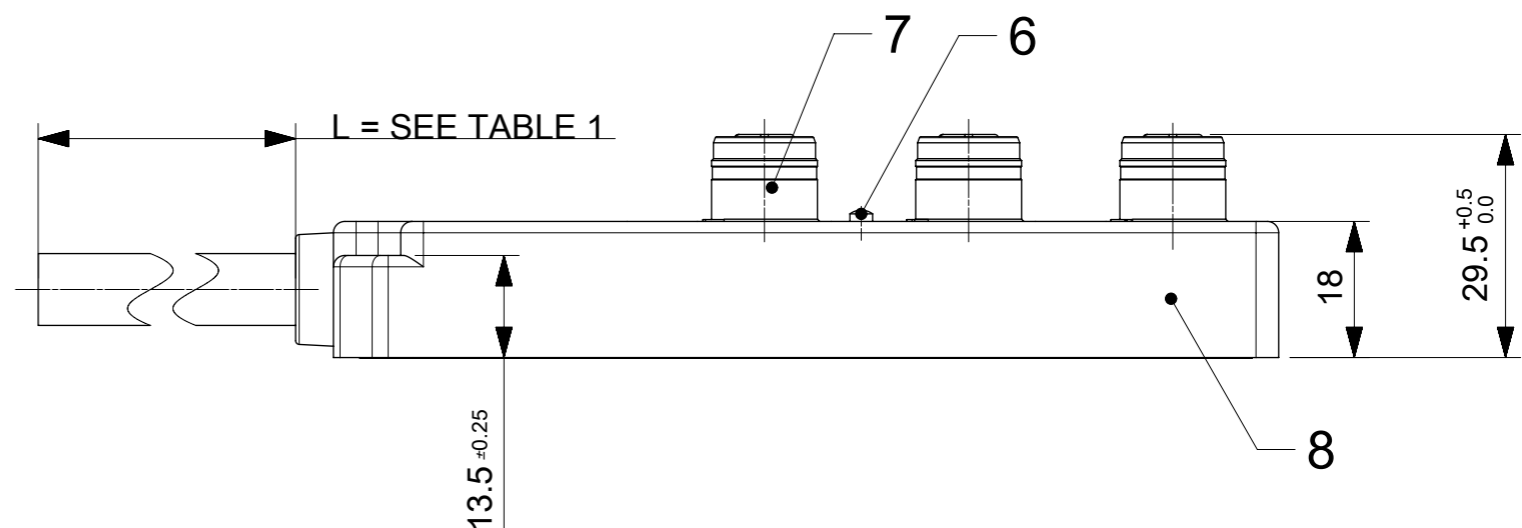
GENERAL CHARACTERISTICS:

ELECTRICAL AND MECHANICAL DATA ACC. TO IEC 61076-2-101

NOMINAL VOLTAGE: 10-30 V DC
 AMPERE RATING: 4 A PER PORT / 12 A MAX
 AMPERE RATING WITH UL REGISTRATION: 3 A PER PORT / 9 A MAX
 IP DEGREE OF PROTECTION: IP 67
 TEMPERATURE RANGE: -25°C to + 85°C

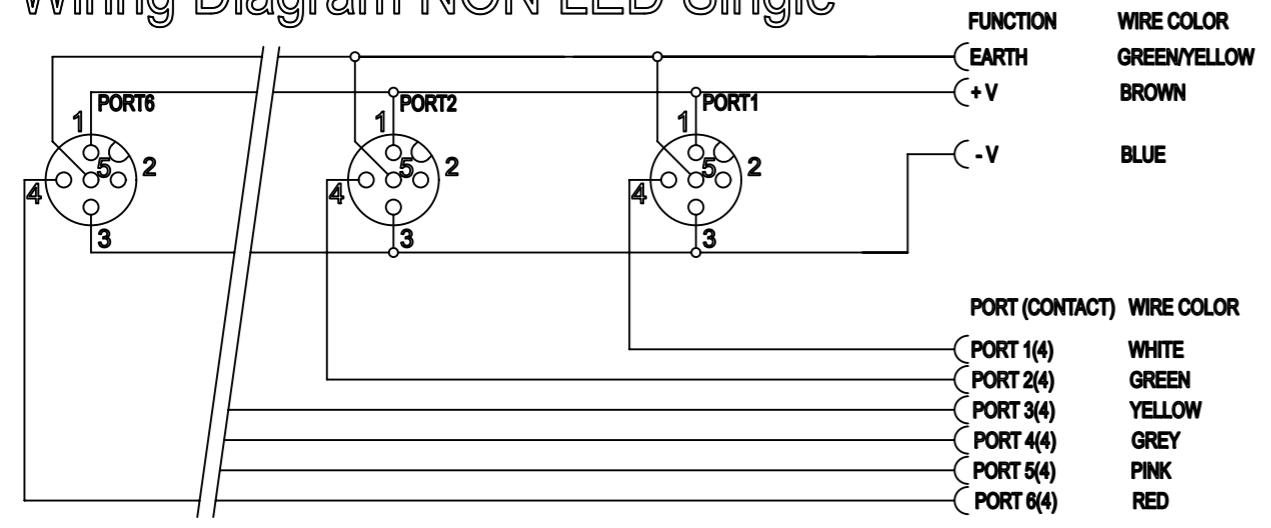


LASER PRINTING:
 PN: 120251XXXX
 ENG.: BKB600X-FBW-XX
 PO: XXXXXXXXXX

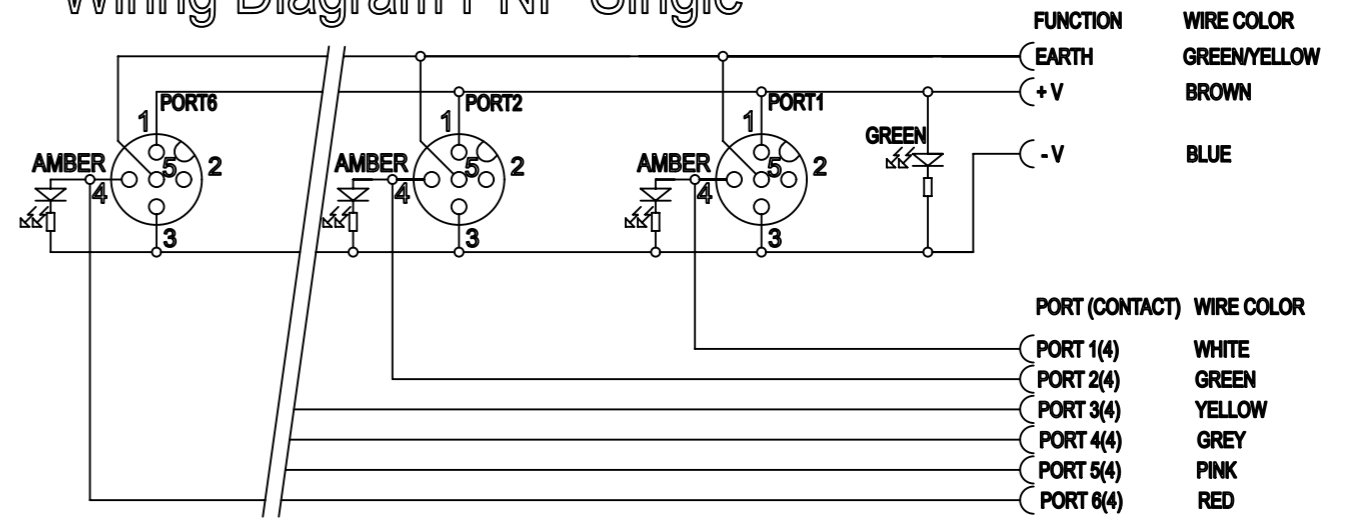


| SYMBOLS | | THIS DRAWING CONTAINS INFORMATION THAT IS PROPRIETARY TO MOLEX ELECTRONIC TECHNOLOGIES, LLC AND SHOULD NOT BE USED WITHOUT WRITTEN PERMISSION | | | | | |
|--|--------|---|------------------|----------------|------------------------------|--------------------------|----------------------|
| DIMENSION UNITS | SCALE | CURRENT REV DESC: INITIAL RELEASE | | | | | |
| mm | 1:1 | molex MPIS U12 NON PNP NPN 4P 6PT BK XM SINGLE | | | | | |
| GENERAL TOLERANCES (UNLESS SPECIFIED) | | | | | | | |
| ANGULAR TOL | ± 1.0° | EC NO: 631635 DRWN: MDHARMANTI 2020/01/27 CHK'D: RSILLER 2020/02/05 APPR: RSILLER 2020/02/05 | | | | | |
| 4 PLACES | ± | | | | | | |
| 3 PLACES | ± | INITIAL REVISION: DRWN: SSM 2018/11/29 APPR: RSILLER 2020/01/17 | | | | | |
| 2 PLACES | ± 0.05 | | | | | | |
| 1 PLACE | ± 0.3 | DOCUMENT NUMBER: 1202510010 DOC TYPE: PSD DOC PART: 000 REVISION: A1 | | | | | |
| 0 PLACES | ± 0.5 | | | | | | |
| DRAFT WHERE APPLICABLE MUST REMAIN WITHIN DIMENSIONS | | THIRD ANGLE PROJECTION | DRAWING: A3-SIZE | SERIES: 120251 | MATERIAL NUMBER: SEE TABLE 1 | CUSTOMER: GENERAL MARKET | SHEET NUMBER: 1 OF 2 |

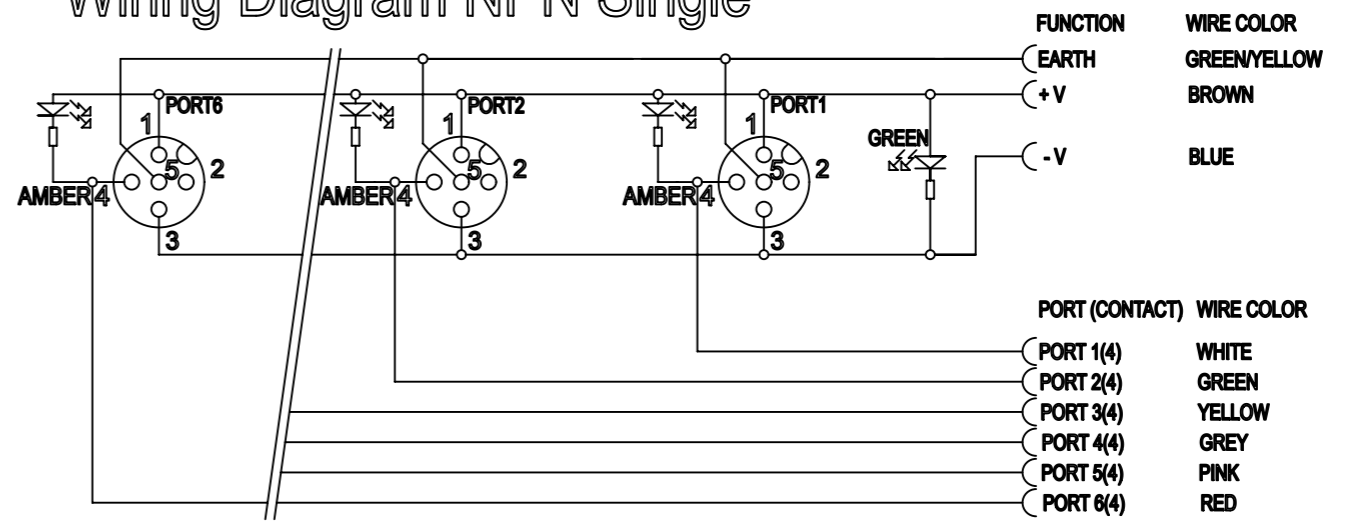
Wiring Diagram NON LED Single



Wiring Diagram PNP Single



Wiring Diagram NPN Single



CABLE LENGTH TOLERANCES

| LENGTH [m] | TOLERANCE [mm] |
|------------|----------------|
| 0-1 | +40 |
| >1-5 | +60 |
| >5-10 | +80 |
| >10-20 | +140 |
| >20-30 | +160 |
| >30 | +1% length |

THIS DRAWING CONTAINS INFORMATION THAT IS PROPRIETARY TO MOLEX ELECTRONIC TECHNOLOGIES, LLC AND SHOULD NOT BE USED WITHOUT WRITTEN PERMISSION

| | | | | |
|--|--|---|--|--|
| SYMBOLS DIMENSION UNITS: mm SCALE: 1:1 GENERAL TOLERANCES (UNLESS SPECIFIED) ANGULAR TOL ± 1.0° 4 PLACES ± 3 PLACES ± 2 PLACES ± 0.05 1 PLACE ± 0.3 0 PLACES ± 0.5 DRAFT WHERE APPLICABLE MUST REMAIN WITHIN DIMENSIONS THIRD ANGLE PROJECTION | CURRENT REV DESC: INITIAL RELEASE EC NO: 631635 DRWN: MDHARMANTI 2020/01/27 CHK'D: RSILLER 2020/02/05 APPR: RSILLER 2020/02/05 | | | |
| | INITIAL REVISION: DRWN: SSM 2018/11/29 APPR: RSILLER 2020/01/17 | PRODUCT CUSTOMER DRAWING DOCUMENT NUMBER: 1202510010 DOC TYPE: PSD DOC PART: 000 REVISION: A1 | | |
| MATERIAL NUMBER: SEE TABLE 1 CUSTOMER: GENERAL MARKET SHEET NUMBER: 2 OF 2 | A3-SIZE SERIES: 120251 | | | |