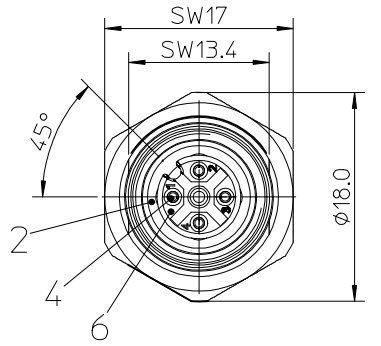
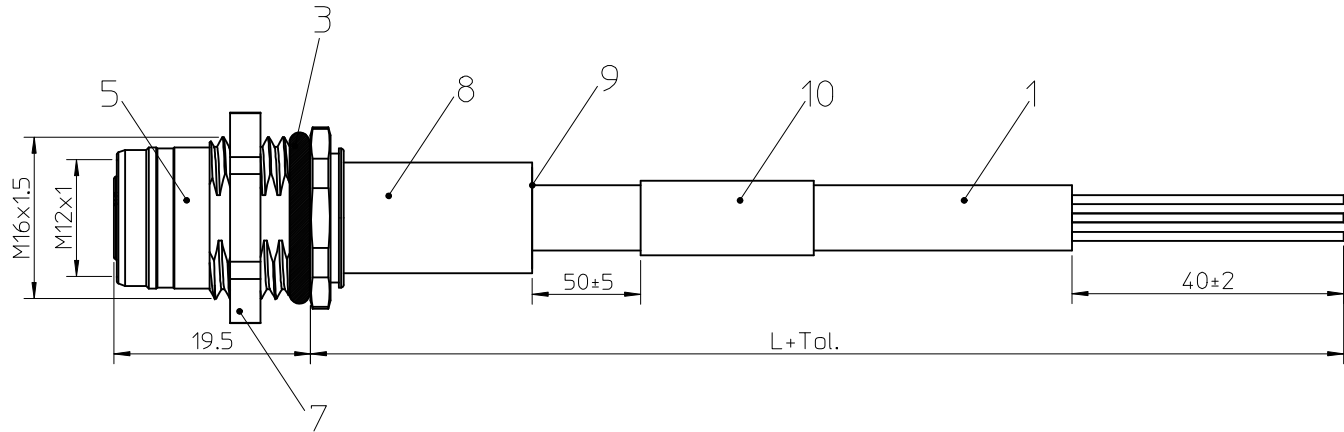


TABLE 1

MOLEX PN	ENGINEERING NO.	L+Tol.[mm]
1200848079	WR4J40E03M030	3000 +89



VIEW FROM THE FRONT SIDE



NOTES:

- WRAP LABEL IS MARKED WITH P/N, DATE CODE, VOLTAGE & AMPERAGE.
- MATES WITH: MICRO CHANGE, 4 POLE RECEPTACLE
- ELECTRICAL DATA:
MAX. VOLTAGE: 250V
MAX. CURRENT 4A
- ENVIROMENTAL DATA:
PROTECTION IP67
TEMPERATURE RANGE: -30°C TO 80°C
- PACKAGING:
CABLE ASSEMBLIES ARE BAGGED SEPERATELY IN POLY BAGS WITH LABEL ATTACHED TO OUTSIDE OF BAG.

WIRING DIAGRAM

P1	
1	Brown
2	White
3	Blue
4	Black

Bill of Materials

ITEM	QTY.	DESCRIPTION	MATERIAL	FINISH
10	1	LABEL	-	-
9	-	POTTING MATERIAL	WEVO	-
8	1	CABLE SLEEVE 10x25	CuZn39Pb3	Ni3b
7	1	M16x1.5 LOCKNUT	BRASS	NICKEL-PLATED
6	1	M12 4P FEMALE INSERT	PUR	BLACK
5	1	M12x1 M16X1.5 SHELL	CuZn39Pb3	CuNi3b
4	4	CONTACT	CuSn6	Cu/Ni2-4
3	1	O-RING	NBR	-
2	1	GASKET	FPM	RED
1	1	CABLE 4x0.34mm ²	PVC	BLACK

CABLE SLEEVE CHANGED EC NO: IPG2015-1826 DRWINAKONDRACIUK 2015/04/20 CHYKD-FGAIK 2015/04/20 APPR:MIWASIECZKO 2015/04/23	QUALITY SYMBOLS	GENERAL TOLERANCES (UNLESS SPECIFIED)	DIMENSION STYLE	SCALE	DESIGN UNITS	THIRD ANGLE PROJECTION
	▽=0 ◻=0	mm INCH 4 PLACES ± --- ± --- 3 PLACES ± --- ± --- 2 PLACES ± 0.05 ± --- 1 PLACE ± 0.10 ± --- 0 PLACE ± 0.20 ± ---	MM ONLY	---	METRIC	☉ ◻ THIRD ANGLE PROJECTION
	DESCRIPTION	ANGULAR ± 1 °	DRAWN BY	DATE	TITLE	REC M12 4P AC FE PVC XM PG9 BM WIR UNSH BK BRA NI molex
	REV	DRAFT WHERE APPLICABLE MUST REMAIN WITHIN DIMENSIONS	MDYSZEWSKA	2013/05/28	SEE TABLE 1	
A1		MATERIAL NO.	MIWASIECZKO 2013/08/29	DOCUMENT NO.	SD-120084-078	SHEET NO.
		SIZE	A3	THIS DRAWING CONTAINS INFORMATION THAT IS PROPRIETARY TO MOLEX INCORPORATED AND SHOULD NOT BE USED WITHOUT WRITTEN PERMISSION		