

NOTE :

- 1. POS. 8 LABEL - ON WHITE WIRE FOR 4 POL. VERSIONS
- ON GREEN/YELLOW OR GREY WIRE FOR 5 AND 8 POL, VERSIONS
- NO LABEL FOR 12 POL. VERSIONS

TABLE 1

ITEM	COMPONENT	MATERIAL	FINISH
1	REC SHELL	BRASS	NICKEL PLATED
2	INSERT	PUR	BLACK
3	CONTACT	BRASS /GOLD	CuZn Ni/Au
4	WIRES	COPPER/PVC	NONE
5	O-RING	NBR	BLACK
6	O-RING	VITON	RED
7	POTTING MATERIAL	WEVO	NONE
8	LABEL	-	YELLOW

SYMBOLS		THIS DRAWING CONTAINS INFORMATION THAT IS PROPRIETARY TO MOLEX ELECTRONIC TECHNOLOGIES, LLC AND SHOULD NOT BE USED WITHOUT WRITTEN PERMISSION	
▽ = 0	mm	SCALE	2:1
▽ = 0	GENERAL TOLERANCES (UNLESS SPECIFIED)		
▽ = 0	ANGULAR TOL ± 1.0°		
▽ = 0	4 PLACES ±	CURRENT REV DESC:	
▽ = 0	3 PLACES ±	EC NO: 651095	
▽ = 0	2 PLACES ± 0.05	DRWN: SSM 2020/11/26	
▽ = 0	1 PLACE ± 0.3	CHK'D: RSILLER 2020/12/10	
▽ = 0	0 PLACES ± 0.5	APPR: RSILLER 2020/12/10	
□ = 0	INITIAL REVISION:		
■ = 0	DRWN: SSM 2017/09/26		
▽ = 0	APPR: RSILLER 2017/12/15		
DRAFT WHERE APPLICABLE MUST REMAIN WITHIN DIMENSIONS		THIRD ANGLE PROJECTION	DRAWING
		A3-SIZE	SERIES
		120084	MATERIAL NUMBER
		SEE SHEET 3	CUSTOMER
		GENERAL MARKET	SHEET NUMBER
		1 OF 3	

molex

REC U12 XP AC FE XM M16 FM WIR BRA AU

PRODUCT CUSTOMER DRAWING

DOCUMENT NUMBER
1200845107

DOC TYPE
PSD

DOC PART
000

REVISION
A5

4 POLE VERSIONS

PIN	WIRE COLOR
1	BROWN
2	WHITE
3	BLUE
4	BLACK

5 POLE VERSIONS

PIN	WIRE COLOR
1	BROWN
2	WHITE
3	BLUE
4	BLACK
5	GREEN/YELLOW OR GREY

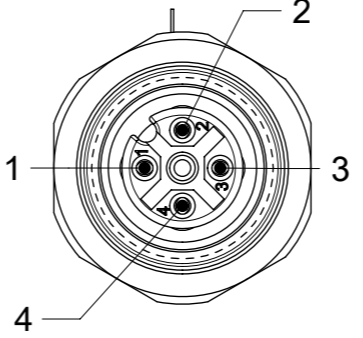
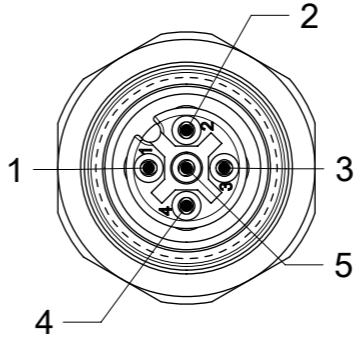
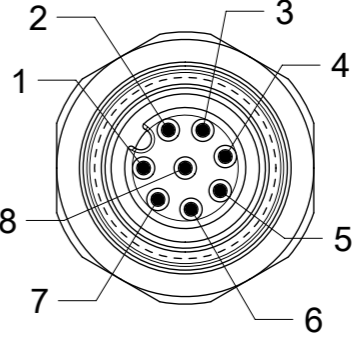
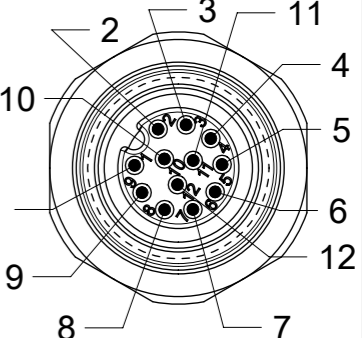
8 POLE VERSIONS

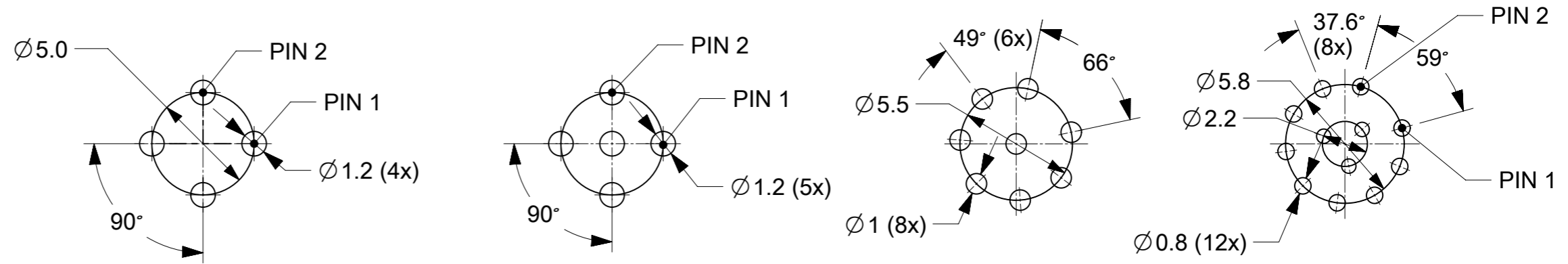
PIN	WIRE COLOR
1	WHITE
2	BROWN
3	GREEN
4	YELLOW
5	GREY
6	PINK
7	BLUE
8	RED

12 POLE VERSIONS

PIN	WIRE COLOR
1	WHITE
2	BROWN
3	GREEN
4	YELLOW
5	GREY
6	PINK
7	BLUE
8	RED
9	BLACK
10	VIOLET
11	GRAY/PINK
12	RED/BLUE

TABLE 3

POLES	4 POLE	5 POLE	8 POLE	12 POLE
LAYOUT				
VOLTAGE RATING	250V	60V	30V	30V
CODING	A - Code	A - Code	A - Code	A - Code
AMPERE RATING	4A	4A	2A	1.5A
PROTECTION CLASS CONNECTOR INTERFACE SHELL TO ENCLOSURE	IP 67/69K (in mated condition / when properly installed)			
OPERATING TEMP.	-25°C / 85°C			
CSA CERTIFICATION	FILE NO. LR6837			
WIRE LEAD	0.34 mm ² PVC	0.34 mm ² PVC	0.25 mm ² PVC	0.14 mm ² PVC
PIN DIAMETER	1.0 mm	1.0 mm	0.8 mm	0.6 mm
WIRE COLOR	ACCORDING TO IEC 60947-5-2		ACCORDING TO DIN 47100	



DRILL LAYOUT BACKSIDE

SYMBOLS □ = 0 ▽ = 0 ▾ = 0 ▽ = 0 ▿ = 0 ▿ = 0 □ = 0 ■ = 0 ▽ = 0	THIS DRAWING CONTAINS INFORMATION THAT IS PROPRIETARY TO MOLEX ELECTRONIC TECHNOLOGIES, LLC AND SHOULD NOT BE USED WITHOUT WRITTEN PERMISSION		CURRENT REV DESC:		molex				
	mm	2:1	EC NO: 651095					REC U12 XP AC FE XM M16 FM WIR BRA AU	
	GENERAL TOLERANCES (UNLESS SPECIFIED)		DRWN: SSM 2020/11/26					2020/12/10	
	ANGULAR TOL ± 1.0°		CHK'D: RSILLER		2020/12/10		PRODUCT CUSTOMER DRAWING		
	4 PLACES ±		APPR: RSILLER		2020/12/10		DOCUMENT NUMBER		
3 PLACES ±		INITIAL REVISION:		1200845107			DOC TYPE		
2 PLACES ± 0.05		DRWN: SSM		2017/09/26			DOC PART		
1 PLACE ± 0.3		APPR: RSILLER		2017/12/15			REVISION		
0 PLACES ± 0.5		THIRD ANGLE PROJECTION		A3-SIZE			A5		
DRAFT WHERE APPLICABLE MUST REMAIN WITHIN DIMENSIONS		DRAWING		SERIES			SHEET NUMBER		
		DRAWING		120084			2 OF 3		
		MATERIAL NUMBER		SEE SHEET 3			GENERAL MARKET		
		CUSTOMER		GENERAL MARKET					

PART LIST

4 POLE VERSIONS

MOLEX P/N	ENGINEERING NR.	L [mm]	TOL
1200845107	WR4U20E03C3003	300	±10
1200250006	WR4U20E03C300	300	±10
1200848085	WR4U20E03C500	500	±10

5 POLE VERSIONS


MOLEX P/N	ENGINEERING NR.	L [mm]	TOL	PIN 5
1200845113	WR5U20E03C3003	300	±10	GN/YE
1200848027	WR5U20E03C500	500	±10	GN/YE
1200848037	WR5U20E03M020	2000	±10	GREY
1200848124	WR5U20E03M010	1000	±10	GN/YE

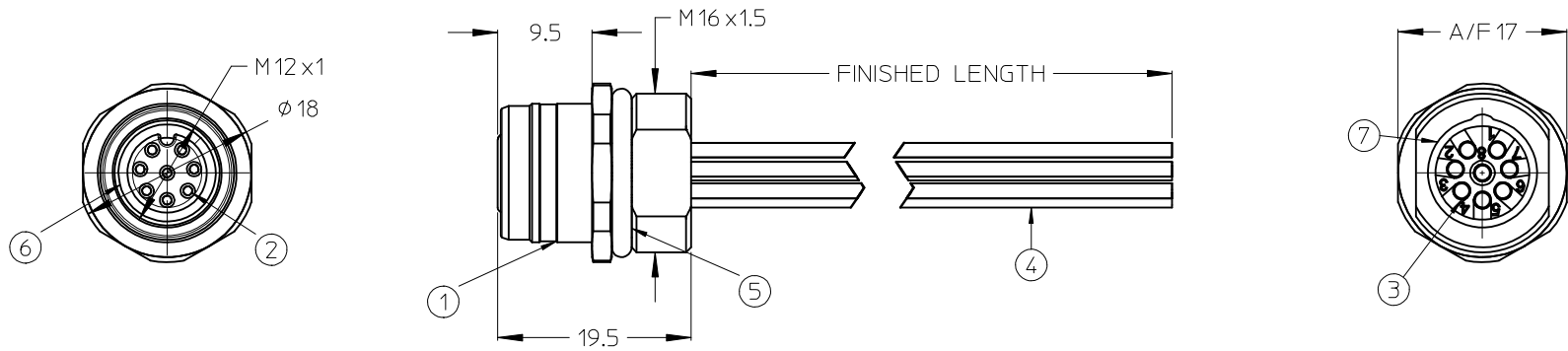
8 POLE VERSIONS

MOLEX P/N	ENGINEERING NR.	L [mm]	TOL
1200845002	WR8U20E02M010	1000	±10
1200845095	WR8U20E02C300	300	±10

12 POLE VERSIONS

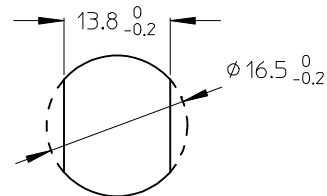
MOLEX P/N	ENGINEERING NR.	L [mm]	TOL
1200845012	WRCU20E01C200	200	±10
1200845013	WRCU20E01C300	300	±10

SYMBOLS ▽ = 0 ▽ = 0 ▽ = 0 ▽ = 0 ▽ = 0 ▽ = 0 ▽ = 0 ▽ = 0 ▽ = 0 ▽ = 0	THIS DRAWING CONTAINS INFORMATION THAT IS PROPRIETARY TO MOLEX ELECTRONIC TECHNOLOGIES, LLC AND SHOULD NOT BE USED WITHOUT WRITTEN PERMISSION		CURRENT REV DESC:		 REC U12 XP AC FE XM M16 FM WIR BRA AU		
	DIMENSION UNITS	SCALE	EC NO: 651095			DOCUMENT NUMBER	
	mm	1:1	DRWN: SSM 2020/11/26			1200845107	
	GENERAL TOLERANCES (UNLESS SPECIFIED)		CHK'D: RSILLER 2020/12/10		DOC TYPE	DOC PART	REVISION
	ANGULAR TOL ± 1.0°		APPR: RSILLER 2020/12/10		PSD	000	A5
	4 PLACES ±		INITIAL REVISION:		MATERIAL NUMBER		CUSTOMER
	3 PLACES ±		DRWN: SSM 2017/09/26		SEE PART LIST		GENERAL MARKET
	2 PLACES ± 0.05		APPR: RSILLER 2017/12/15		SERIES		SHEET NUMBER
	1 PLACE ± 0.3		THIRD ANGLE PROJECTION		A3-SIZE		120084
	0 PLACES ± 0.5		DRAWING		MATERIAL NUMBER		CUSTOMER
DRAFT WHERE APPLICABLE MUST REMAIN WITHIN DIMENSIONS		DRAWING		SERIES		SHEET NUMBER	



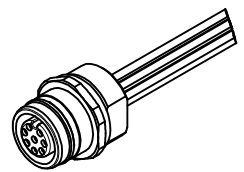
Wiring Diagram:

- 1 - WHITE / weiß
- 2 - BROWN / braun
- 3 - GREEN / grün
- 4 - YELLOW / gelb
- 5 - GREY / grau
- 6 - PINK / rosa
- 7 - BLUE / blau
- 8 - RED / rot



ITEM	COMPONENT	MATERIAL	FINISH
1	REC SHELL	BRASS	NICKEL PLATED
2	INSERT	PUR	BLACK
3	CONTACT	BRASS / GOLD	CuZn Ni/ Au
4	WIRES	COPPER/PVC	NONE
5	O-RING	NBR	BLACK
6	O-RING	VITON	RED
7	POTTING MATERIAL	WEVO	NONE

POL	MATERIAL NO.	ENGINEERING NO.	FINISHED LENGTH
8	1200845095	WR8U20E02C300	300 ±10
8	1200845002	WR8U20E02M010	1000 ±10



VOLTAGE RATING: 30 VAC / 36 VDC
 AMPERAGE RATING: 2 A
 PROTECTION CLASS: IP 67/68/69K
 OPERATING TEMPERATURE: -25°C / 90°C
 UL CERTIFICATION: FILE NO. E152210
 CSA CERTIFICATIONS: FILE NO. LR6837

ENTER DESCRIPTION EC NO: IPGZ014-0351 DRW:BBRAUCH 2013/09/26 CHKD:APOHL 2013/10/16 APPR:CBURGER 2014/01/31	QUALITY SYMBOLS ▽=0 ◻=0	GENERAL TOLERANCES (UNLESS SPECIFIED) mm INCH 4 PLACES ± --- ± --- 3 PLACES ± --- ± --- 2 PLACES ± 0.05 ± --- 1 PLACE ± 0.1 ± --- 0 PLACE ± 0.2 ± --- ANGULAR ± 1 °	DIMENSION STYLE MM ONLY DRAWN BY: NSTAUDIGEL DATE: 2010/01/28 CHECKED BY: _____ DATE: _____ APPROVED BY: FPACHER DATE: 2010/02/01 MATERIAL NO.	SCALE: 2:1 DESIGN UNITS: METRIC THIRD ANGLE PROJECTION	TITLE: REC U12 8P AC FE STR PUR XM M16 FM WIR SE UNSH BRA AU molex DOCUMENT NO. SD-120084-019 SHEET NO. 1 OF 1
	DRAFT WHERE APPLICABLE MUST REMAIN WITHIN DIMENSIONS	SIZE: A3 THIS DRAWING CONTAINS INFORMATION THAT IS PROPRIETARY TO MOLEX INCORPORATED AND SHOULD NOT BE USED WITHOUT WRITTEN PERMISSION			