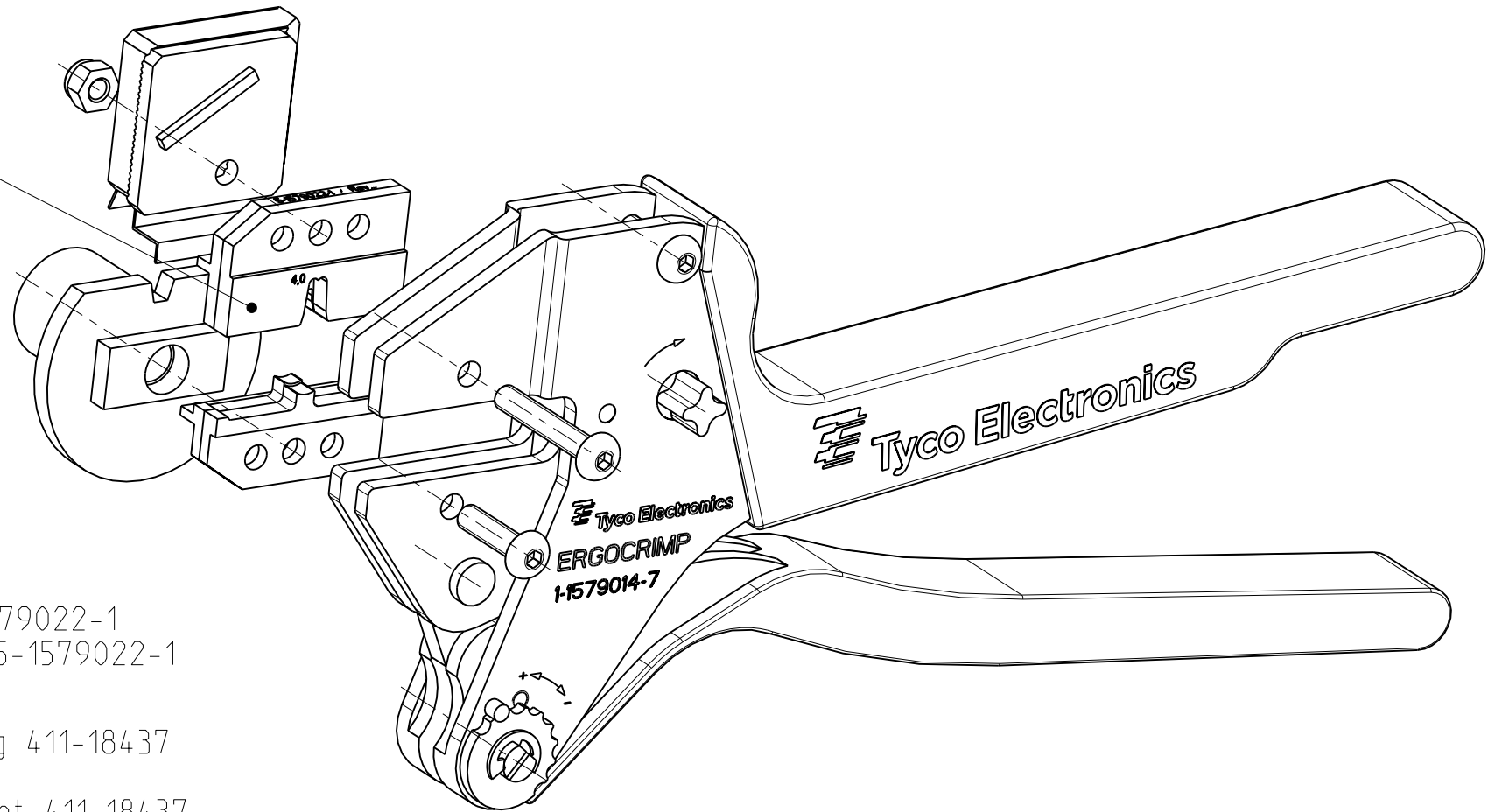


THIS DRAWING IS UNPUBLISHED. RELEASED FOR PUBLICATION 2006
 © COPYRIGHT 2006 BY TYCO ELECTRONICS CORPORATION. ALL RIGHTS RESERVED.

LOC	DIST	REVISIONS			
P	LTR	DESCRIPTION	DATE	DWN	APVD
A1	-				

ERGOCRIMP HAND TOOL FOR 2.5 mm SOCKET / PIN CONTACT 4.0 mm²

Ergocrimp Matrize als Ersatzteil erhaeltlich
 Tyco Electronics Nr.: 5-1579022-1
 Ergocrimp die set as spare part available
 Tyco Electronics No. 5-1579022-1



Einzelteile der Ergocrimp Matrize bestellbar. Siehe Zeichnung 5-1579022-1
 Spare parts of the Ergocrimp die set are available. See drawing 5-1579022-1

Handzange mit Matrize zusammengebaut und mit Bedienungsanleitung 411-18437
 im Karton verpackt
 Hand tool assembled with die set and packed with instruction sheet 411-18437
 in a cardboard

Kontakt	DGB (mm ²)	Drahtcrimp / Wire Crimp		Isolationscrimp/Insulationcrimp		Isol.∅	Betriebsanl.
Contact	Wire Range	Hoehe/Height (mm)	Breite/Width (mm)	Hoehe/Height (mm)	Breite/Width (mm)	Ins.Range	Instr.Sheet
2.5 mm CONTACT SOCKET / PIN 927793 / 927805	4.0	2.12±0.05	3.30 F	-----	4.06 F	3.40-3.70	411-18437

<small>THIS DRAWING IS A CONTROLLED DOCUMENT FOR TYCO ELECTRONICS CORPORATION IT IS SUBJECT TO CHANGE AND THE CONTROLLING ENGINEERING ORGANIZATION SHOULD BE CONTACTED FOR THE LATEST REVISION.</small>		DWN R.KLAWONN 02APR2008 CHK C.WITT 02APR2008 APVD - PRODUCT SPEC - APPLICATION SPEC - WEIGHT -	Tyco Electronics AMP GmbH 64625 Bensheim (Germany)
DIMENSIONS: mm 	TOLERANCES UNLESS OTHERWISE SPECIFIED: 0 PLC ±- 1 PLC ±- 2 PLC ±- 3 PLC ±- 4 PLC ±- ANGLES ±1° MATERIAL - FINISH -	NAME ERGOCRIMP HAND TOOL FOR 2.5mm SOCKET / PIN CONTACT 4.0 mm ² SIZE A3 CAGE CODE 00779 DRAWING NO. 1-1579014-7 RESTRICTED TO -	
CUSTOMER DRAWING		SCALE 1:1	SHEET 1 OF 1 REV A