

COLOR = BLACK

COLOR = NATURAL

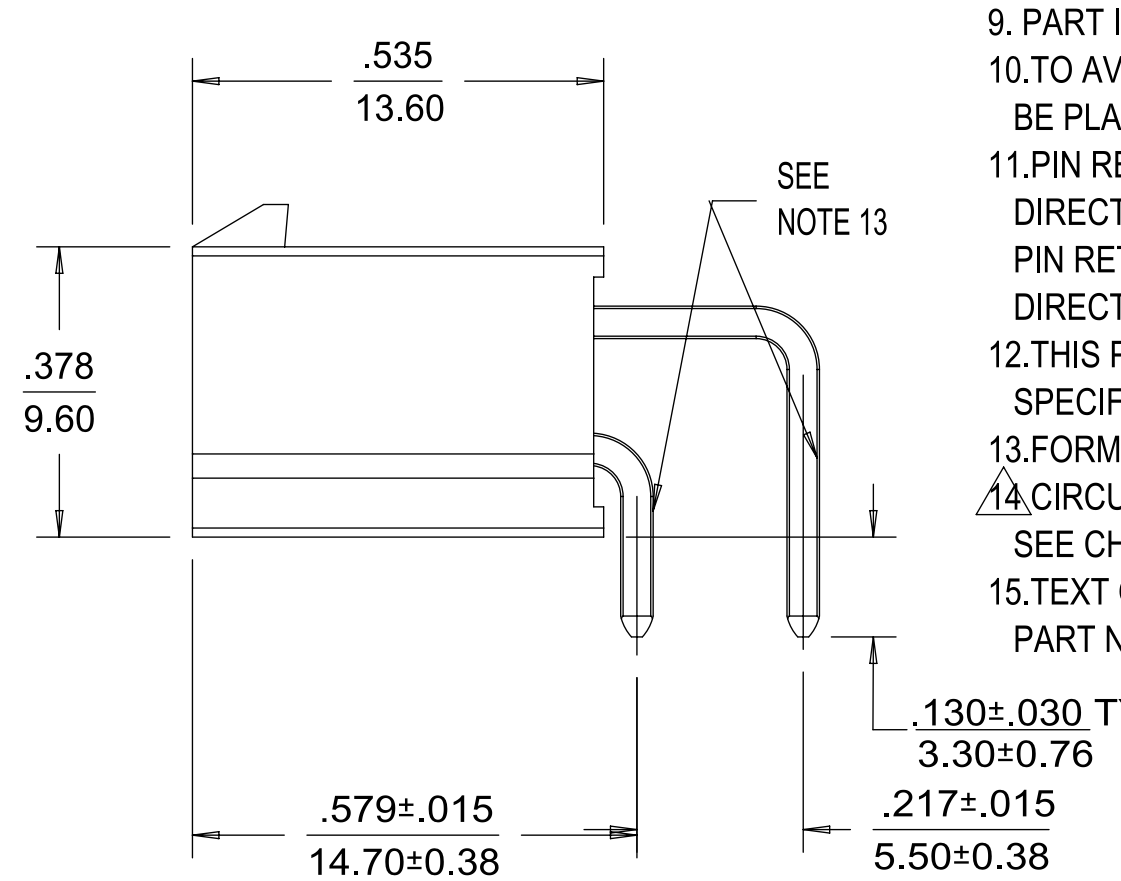
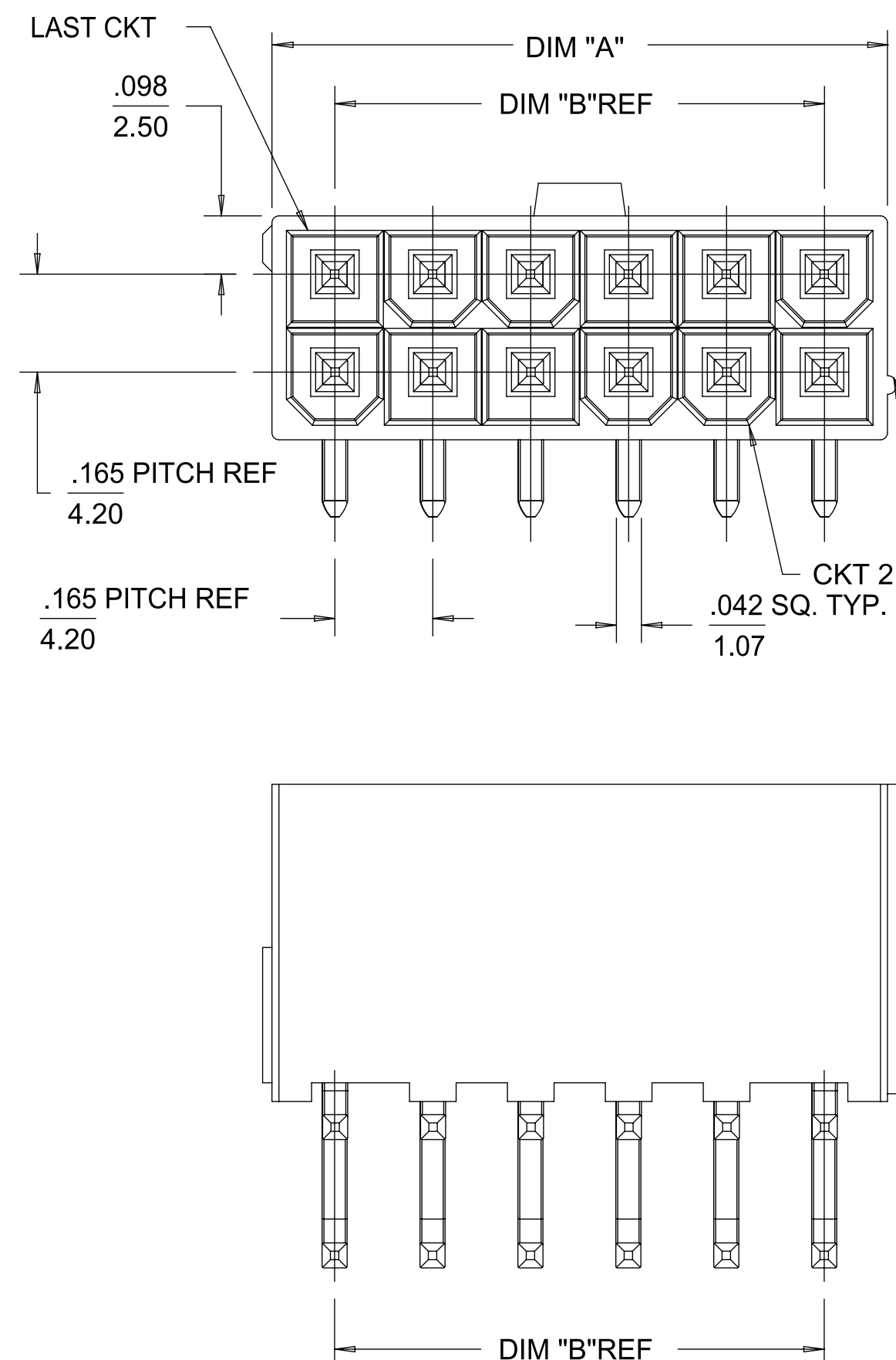
NOTES:

- MATERIAL:
HOUSING - LIQUID CRYSTAL POLYMER (LCP), COLOR: SEE CHART.
TERMINAL - BRASS
- TERMINAL PLATING: TIN = .000100/0.00254 MATTE TIN OVER
.000050/0.00127 NICKEL OVERALL
GOLD= .000030/0.00076 MIN. SELECT GOLD OVER
.000100/0.00254 MIN. SELECT MATTE TIN OVER
.000050/0.00127 MIN NICKEL OVERALL
- PRODUCT SPECIFICATION: PS-5556-001 OR PS-45750-001.
- PACKAGING SPECIFICATION: TRAY PACKED PER PK-5569-003 OR
TAPE AND REEL PACKAGED PER PK-46991-001.
- PART MATES WITH MINIFIT JR RECEPTACLE SERIES 5557
- DISCOLORIZATION IN THE BANDOLIER CARRIER AREA OF THE PIN IS
INHERENT TO THE PLATING PROCESS AND IS DUE TO THE MASKING EFFECT
OF THE CARRIER. THIS DISCOLORIZATION IS A NON-FUNCTIONAL AREA OF
THE PIN AND WILL NOT AFFECT THE PERFORMANCE OF THE HEADER ASSEMBLY.
- CONNECTORS ARE NOT TO BE MATED OR UNMATED WHILE CIRCUITS ARE LIVE.
- PARTS ARE NOT DESIGNED FOR CURRENT SHARING.
- PART IS INTENDED FOR PIN IN PASTE REFLOW SOLDER ONLY.
- TO AVOID INTERFERENCE BETWEEN THE RECEPTACLE AND PCB. HEADER MUST
BE PLACED AT THE EDGE OF PCB AS SHOWN.
- PIN RETENTION IN HOUSING IS 2.2 LBS/1 KG MIN. BOTH
DIRECTIONS FOR TIN PLATING.
PIN RETENTION IN HOUSING IS 1.0 LBS/0.45 KG MIN. BOTH
DIRECTIONS FOR GOLD PLATING.
- THIS PART CONFORMS TO CLASS B REQUIREMENTS OF COSMETIC
SPECIFICATION PS-45499-002.
- FORMING MARKS ON PINS ARE ACCEPTABLE.
- CIRCUITS SHOWN PROVIDE THE MATE-FIRST/BREAK-LAST FEATURE.
SEE CHART ON SHEET 2 FOR SPECIFIC CIRCUIT LOCATIONS.
- TEXT ON PART IS FOR REFERENCE ONLY. TEXT AND TEXT LOCATION MAY VARY DEPENDING ON
PART NUMBER AND/OR TOOL.

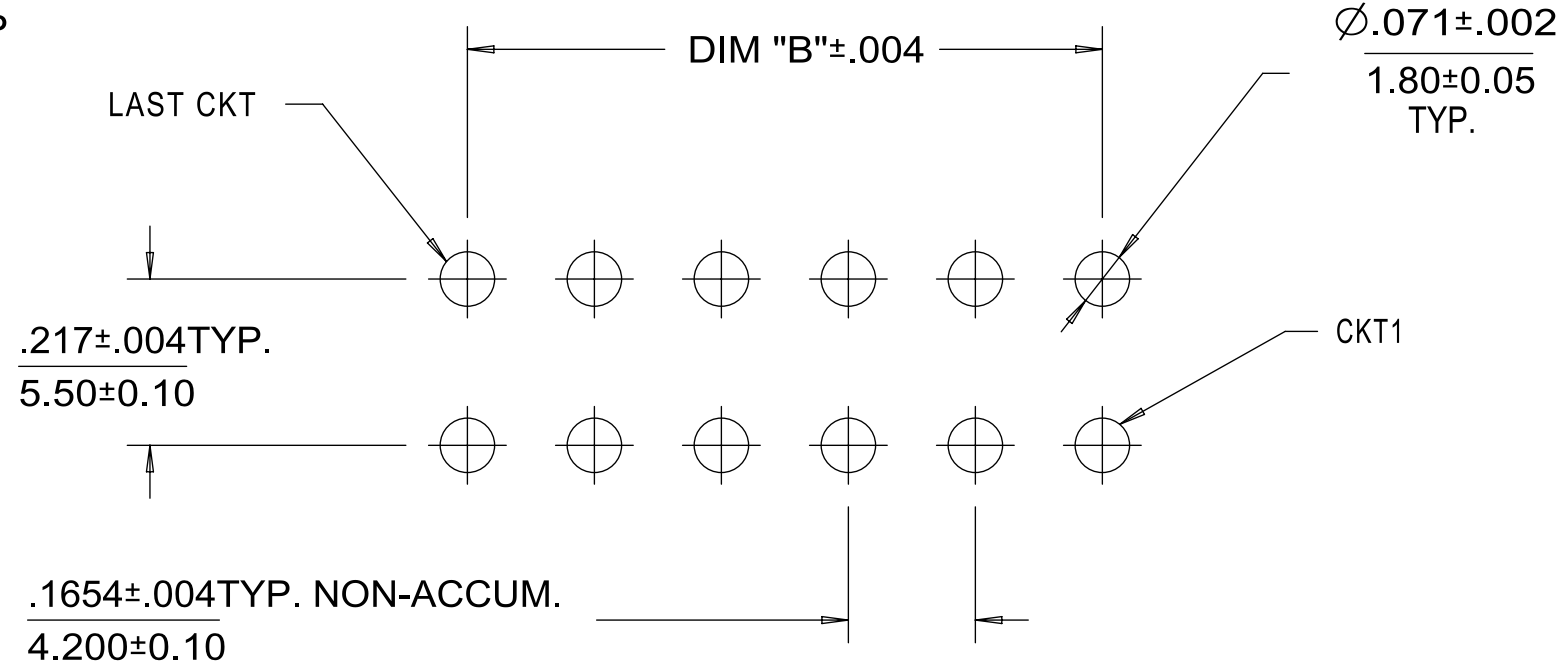
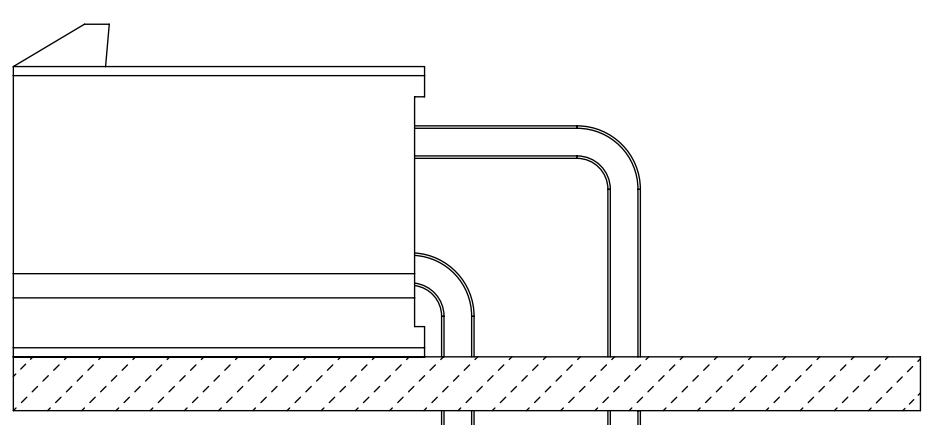
H CKT SIZE	TIN PLATING		GOLD PLATING		TIN PLATING		DIM "A"	DIM "B"
	TRAY PACK MATERIAL NUMBER	TAPE & REEL MATERIAL NUMBER	TRAY PACK MATERIAL NUMBER	TAPE & REEL MATERIAL NUMBER	TRAY PACK MATERIAL NUMBER	TRAY PACK MATERIAL NUMBER		
4	46991-1004	46991-4004	X	46991-2004		46991-3004	.38/9.6	.165/4.20
6	46991-1006	X 46991-4006	X	46991-2006	X	46991-3006	.54/13.8	.331/8.40
8	46991-1008	46991-4008		46991-2008		46991-3008	.71/18.0	.496/12.60
10	46991-1010	46991-4010	X	46991-2010	X	46991-3010	.87/22.2	.661/16.80
12	46991-1012	X 46991-4012		46991-2012	X	46991-3012	1.04/26.4	.827/21.00
14	X 46991-1014	X 46991-4014	X	46991-2014	X	46991-3014	1.21/30.6	.992/25.20
16	X 46991-1016	X 46991-4016	X	46991-2016	X	46991-3016	1.37/34.8	1.160/29.40
18	X 46991-1018	X 46991-4018	X	46991-2018	X	46991-3018	1.54/39.0	1.323/33.60
20	X 46991-1020	X 46991-4020	X	46991-2020	X	46991-3020	1.70/43.2	1.488/37.80
22	X 46991-1022	X 46991-4022	X	46991-2022	X	46991-3022	1.87/47.4	1.654/42.00
24	46991-1024	46991-4024	X	46991-2024	X	46991-3024	2.03/51.6	1.819/46.20

X DESIGNATES NOT TOOLED

SEE SHEET 2 FOR PART NUMBERS WITH VOIDS & MFBL



CKT 1 INDICATOR



RECOMMENDED PCB HOLE LAYOUT FOR .070/1.78 MAX THICK P.C. BOARD
VIEWED FROM COMPONENT SIDE

SYMBOLS	THIS DRAWING CONTAINS INFORMATION THAT IS PROPRIETARY TO MOLEX ELECTRONIC TECHNOLOGIES, LLC AND SHOULD NOT BE USED WITHOUT WRITTEN PERMISSION			
	DIMENSION UNITS	SCALE	CURRENT REV DESC: REMOVE 8CKT X MARK	
∇ = 0	IN/MM	4:1		
∇ = 0	GENERAL TOLERANCES (UNLESS SPECIFIED)			EC NO: 609247
∇ = 0		MM	INCH	
∇ = 0	4 PLACES	±	±	DRWN: SALHAMY 2018/12/17
∇ = 0	3 PLACES	±	± 0.01	CHK'D: DSTEIER 2018/12/21
∇ = 0	2 PLACES	± 0.25	± 0.015	APPR: FSMITH 2018/12/22
∇ = 0	1 PLACE	± 0.38	±	INITIAL REVISION:
∇ = 0	0 PLACES	±	±	DRWN: JKLOSTERMEIE 2008/12/19
∇ = 0	ANGULAR TOL	± 0.5°		APPR: FSMITH 2008/12/15
∇ = 0	DRAFT WHERE APPLICABLE MUST REMAIN WITHIN DIMENSIONS		THIRD ANGLE PROJECTION	DRAWING SERIES
∇ = 0			C-SIZE	46991

molex

MINIFIT RTC RIGHT ANGLE
HEADER ASSEMBLY W/O MOUNTING PEGS

PRODUCT CUSTOMER DRAWING

DOCUMENT NUMBER	DOC TYPE	DOC PART	REVISION
SD-46991-001	PSD	000	C10

MATERIAL NUMBER	CUSTOMER	SHEET NUMBER
SEE CHART	GENERAL MARKET	1 OF 2

DOCUMENT STATUS	P1	RELEASE DATE	2018/12/22 21:22:14
-----------------	----	--------------	---------------------

