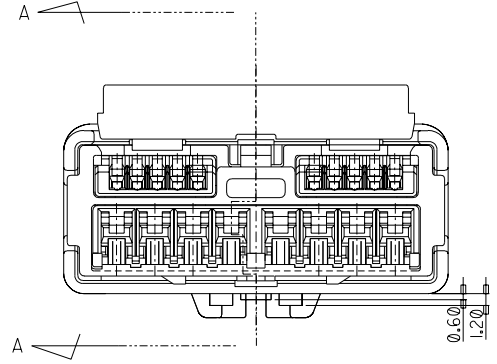
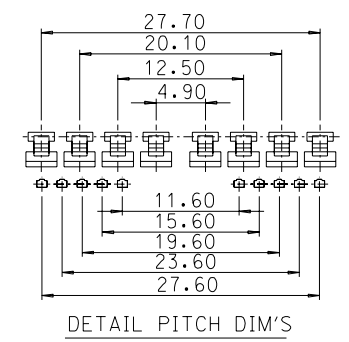
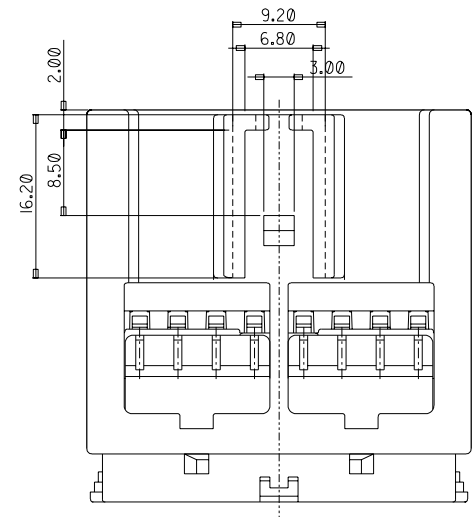
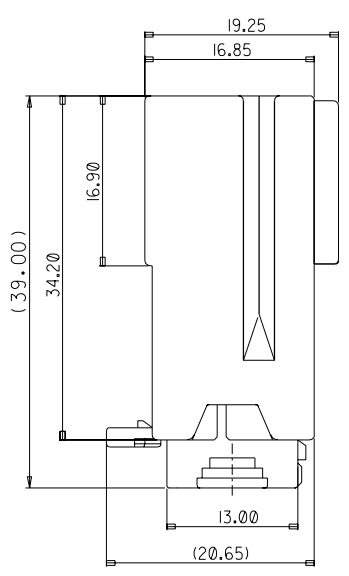
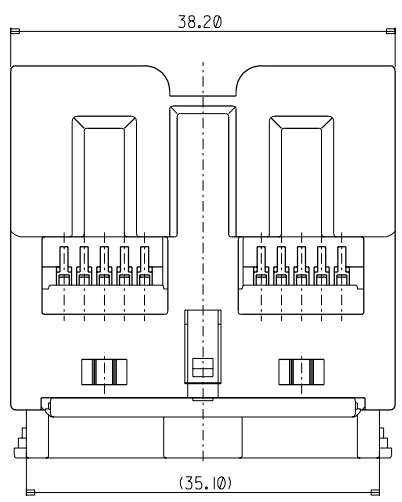
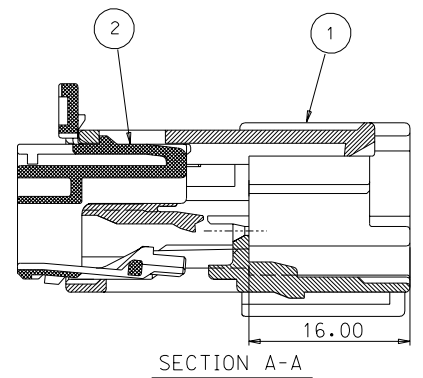
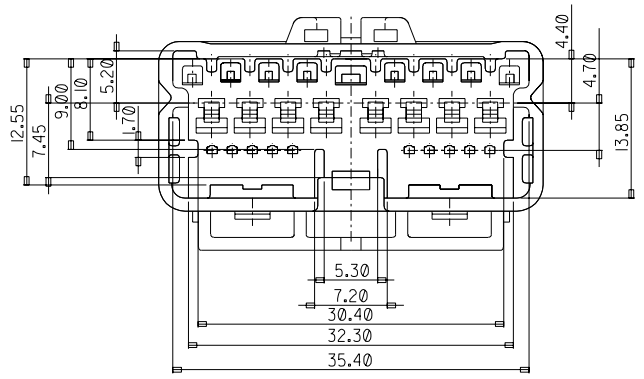


DO NOT SCALE DRAWING DIMENSION IN METRIC

PROJECT NO. PROJECT NO. SIMILAR ITEM DWG. NO. SD35376-002



NO	PART NO	PART NAME	MATERIAL	Q'TY
1	35376-1890	DUOMATE HYBRID TYPE 18P MALE CONN. ASS'Y	POLYESTER (PBT)	1
2	35377-1880	DUOMATE HYBRID TYPE 18P MALE TPA	POLYESTER (PBT)	1

NOTES:  
 1. MATING TERMINAL PART NO:  
 DUOMATE(030):35426-9702  
 UNICONN(90)TYPE: 3535420-9702,35420-9802,35420-9902  
 2. MATING CONNECTOR PART NO: 35374-1810  
 3. TERMINAL RETENTION FORCE(COMBINED): 10kgf MIN.

NEW RELEASE EC NO. A	DRWN: Y.SIK.KIM 98/06/19 CHK: APPR:	QUALITY SYMBOLS MAJOR CRITICAL	GENERAL TOLERANCES: (UNLESS SPECIFIED)		SCALE 2:1	DESIGN UNIT/STANDARD <input checked="" type="checkbox"/> mm <input type="checkbox"/> INCH	THIRD ANGLE PROJECTION	DIMENSIONS: <input checked="" type="checkbox"/> mm <input type="checkbox"/> INCH <input type="checkbox"/> ONLY	SHT	REV
			4 PLACES ±0.15	3 PLACES ±0.15	2 PLACES ±0.20	1 PLACE ±0.15	DRAWN BY & DATE Y.SIK.KIM 98/06/19	CHECKED BY & DATE B.K.CHOI 98/06/19	APPROVED BY & DATE C.W.LEE 98/11/17	TITLE DUOMATE HYBRID TYPE 18P MALE CONNECTOR ASS'Y
REVISION RECORD			DRAFT WHERE APPLICABLE MUST REMAIN WITHIN DIMENSIONS		CAD FILE NAME s3537618.dwg	DESCRIPTION 35376-1890	MATERIAL NO. 35376-1890	DRAWING NO. SD35376-002	SHEET NO. 1/1	REVISION