



UL924 FLUSH MOUNT EMERGENCY LOAD CONTROL RELAY

EMERGENCY LIGHTING CONTROLS

FEATURES

- 20 Amp 120/277VAC relay
- Isolated 0-10V relay contact
- Utility & Emergency Power Indicator LEDs
- Integral test button
- Unique Patented Automatic Diagnostic self-test
- Slim, attractive flush mount profile
- No minimum load requirement



3 DIMENSIONAL DRAWINGS



RELATED PRODUCTS

- [UL924 Automatic Load Relay](#)
- [UL924 Enclosed 20 AMP Bypass Shunt Relay](#)
- [Branch Circuit Emergency Lighting Control Transfer Switch](#)

SPECIFICATIONS

CONSTRUCTION

- Flush plate: 4.75" (120.65mm) H x 2.75" (69.85mm) L x .75" (19.05mm) W
- Recessed body: 2.875" (73.025mm) H x 1.75" (44.45mm) L x 1.75" (44.45mm) W
- Mounting: 4-11/16" Junction Box w/ single gang plaster
- Shipping: 8 oz. / White

ELECTRICAL

- Relays and Contact Type
 - One (1) SPST continuous duty electrically held coil
- Contact Ratings
 - Ballast: 20 Amp @ 120/277 VAC

ELECTRICAL (CONTINUED)

- Contact Ratings (Continued)
 - Incandescent: 1800W (120V) / 1500W (277V)
- Coil Current
 - 0.06 A @ 120VAC; 0.06 A @ 277VAC
- Coil Voltage Input
 - 120 or 277VAC; 60Hz

OPERATING ENVIRONMENT

- Indoor use only
- 32° to 140°F
- Relative humidity (non-condensing): 0%-95%

CERTIFICATIONS

- UL Listed
- UL924
- House Rating: UL2403 Plenum
- Flame Rating: UL94-5VA

WARRANTY

- 5 year limited
- See [HLI Standard Warranty](#) for additional information

ORDERING GUIDE

Example: UL924EPC1D-UNV

CATALOG #

Model

UL924EPC1D-UNV¹ Flush Mount UL924 Emergency Load Control Relay with test button and provision for override of 0-10 volt dimming to full light

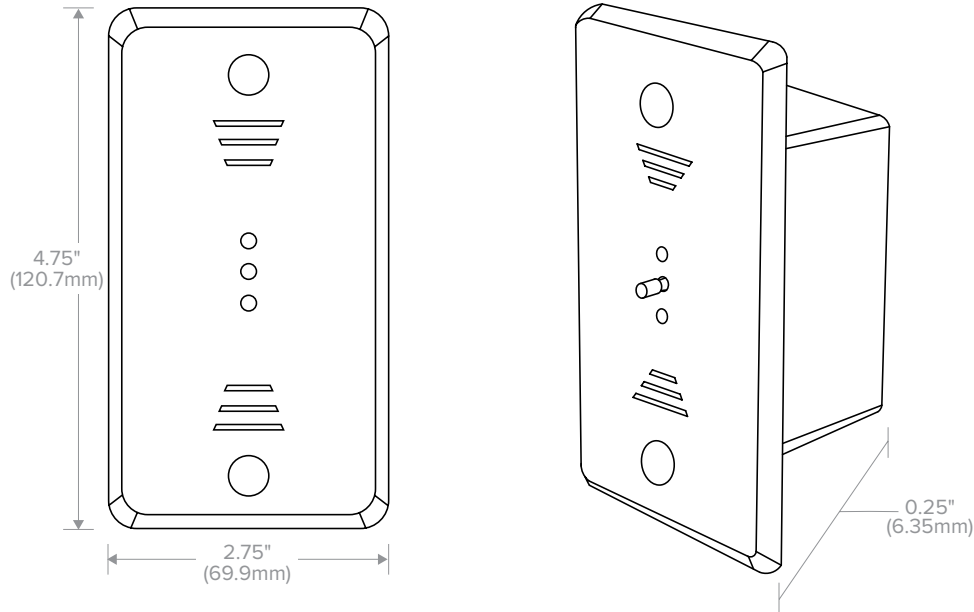
Notes:

- 1 HCS products with 0-10 volt dimming automatically revert to full light upon loss of power

UL924 FLUSH MOUNT EMERGENCY LOAD CONTROL RELAY

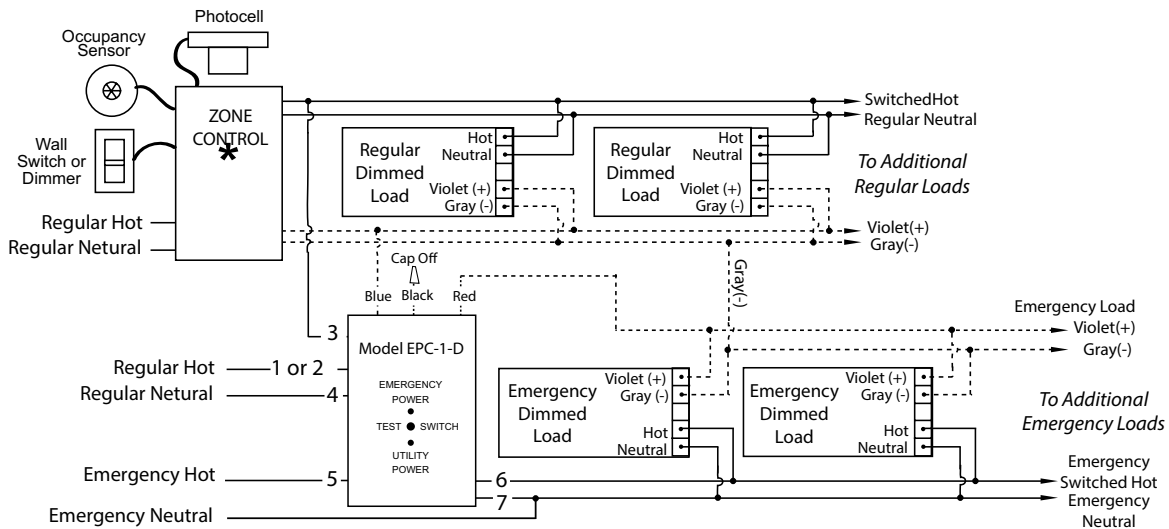
EMERGENCY LIGHTING CONTROLS

DIMENSIONS



ADDITIONAL INFORMATION

Wiring Diagrams



REGULAR POWER WIRING		
Wire #	Color	Connection
1	Black	Regular Hot (120V)
2	Orange	Regular Hot (277V)
3	Red	Switched Hot
4	White	Regular Neutral

EMERGENCY POWER WIRING		
Wire #	Color	Connection
5	Blue	Emergency Hot (120V)
6	Yellow	Emergency Load Hot
7	White/Blue Stripe	Emergency Neutral

PLENUM CABLE B LOW VOLTAGE WIRING	
Blue	Dimmer Violet (+)
Red	Emergency Load Violet (+)
Black	Cap Off

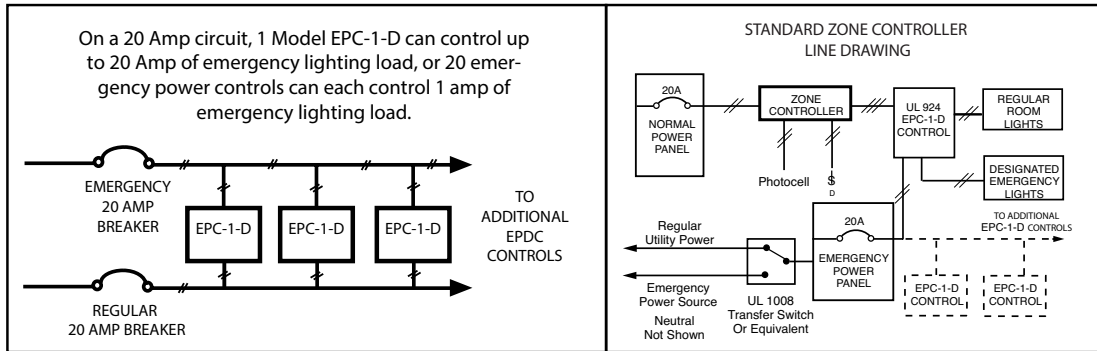
Note:
Zone Control device can be any combination of the following:
a. Intelligent zone controller including both low voltage dimming output and line voltage switching output.
b. Line voltage switching devices (such as occupancy sensor contact, time clock, relay panel) and low voltage dimming devices including photocells, wall dimmers, and other low voltage dimming signals (0-10V or digital).

UL924 FLUSH MOUNT EMERGENCY LOAD CONTROL RELAY

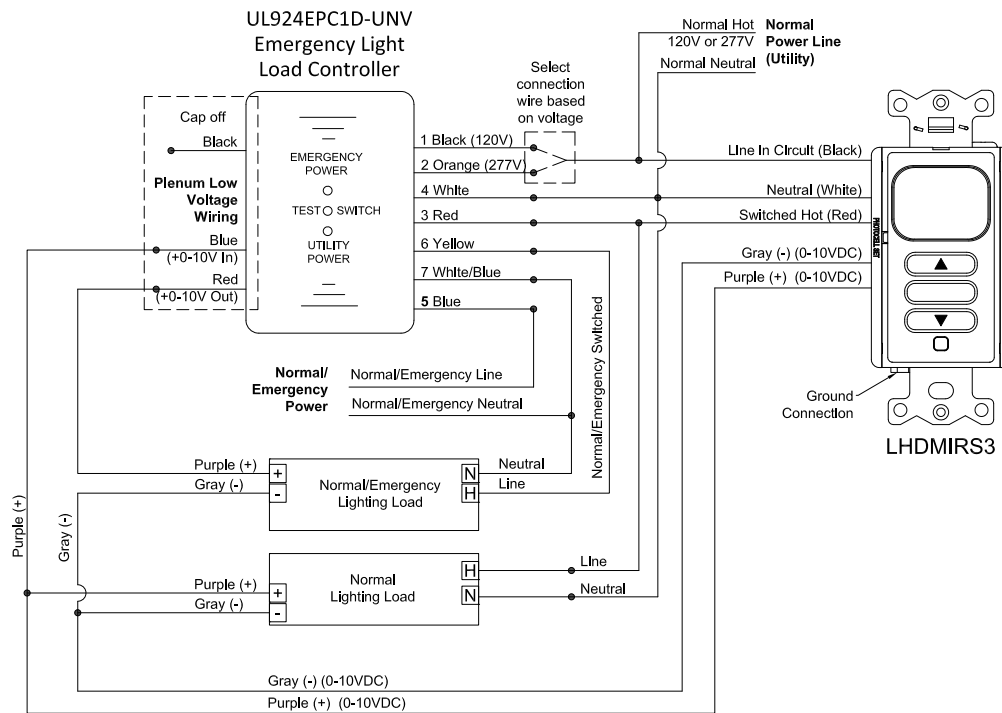
EMERGENCY LIGHTING CONTROLS

ADDITIONAL INFORMATION (CONTINUED)

Wiring Diagrams (Continued)



Single Line Drawings



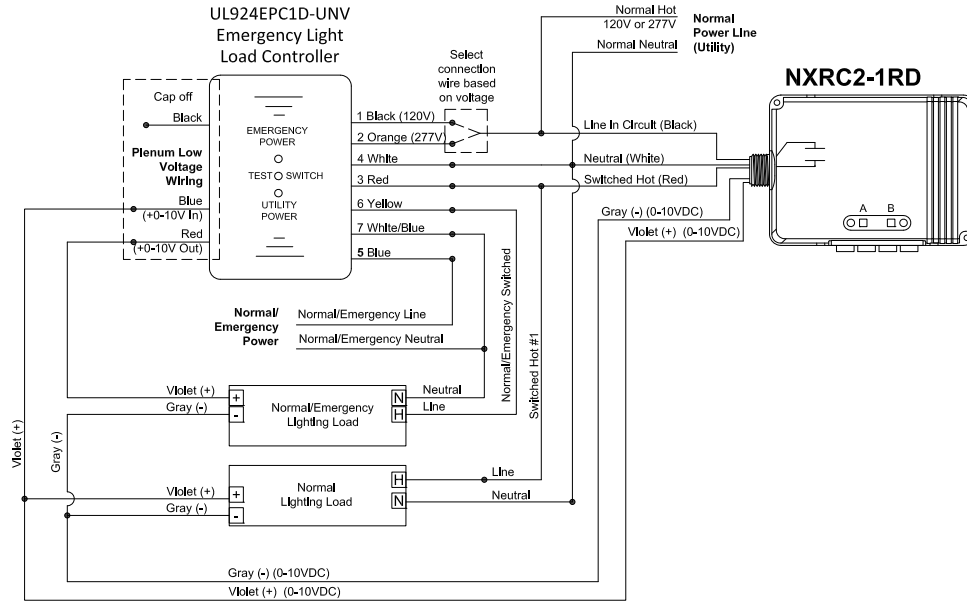
Split Control with UL924EPC1D and Dimming LightHAWK

UL924 FLUSH MOUNT EMERGENCY LOAD CONTROL RELAY

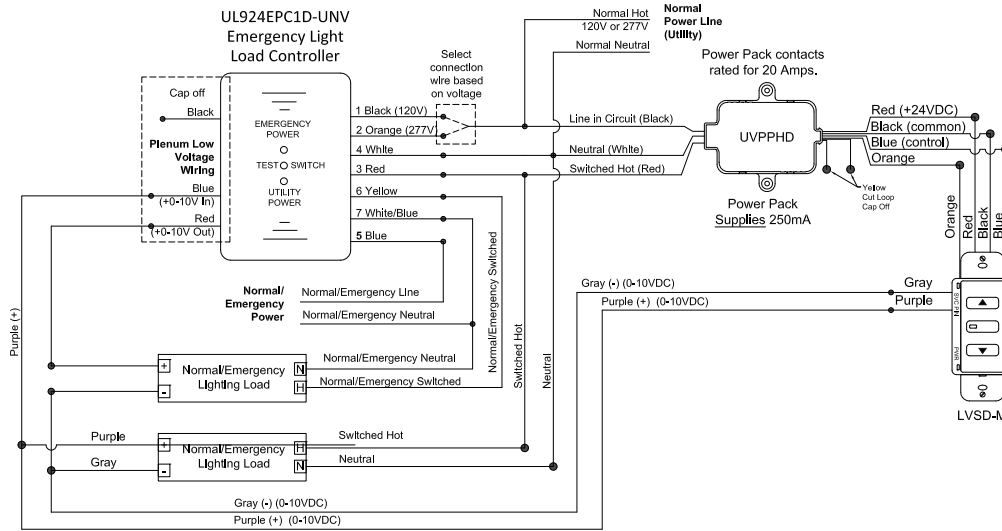
EMERGENCY LIGHTING CONTROLS

ADDITIONAL INFORMATION (CONTINUED)

Wiring Diagrams (Continued)



Split Control with UL924EPC1D and NX Room Controller 1RD



Split Control with UL924EPC1D and UVPPHD / Low Voltage Dimming Switch