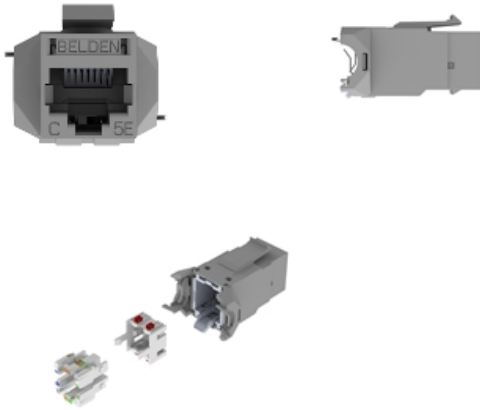


RV5MJKSME-S1 Modular Connectors - REVConnect Jack CAT5E Shield



For more Information
please call

1-800-Belden1



General Description:

REVConnect CAT5E STP Modular Jack, Metal, T568 A/B, Single Pack

Usage (Overall)

Suitable Applications:	1200 Shielded System, TIA Category 5E, ISO Class D, 1GBASE-T
Related Parts:	Compatible with Shielded KeyConnect Patch Panels 24p and 48p, Compatible with KeyConnect Faceplates, Adapters, Boxes

Physical Characteristics (Connectivity)

Dimensions

Dimensions:

Height (in.)	Width (in.)	Depth (in.)
0.940	1.190	1.630

Materials

Materials:

Description	Type	Material
Front Connection	RJ45	Copper Clad Flexible PCB, 50uin Gold plated contacts over Nickel
Rear Connection	REVConnect	Copper alloy, Gold plated contacts over Nickel
Connector Body	N/A	Nickel plated zinc alloy diecast

Wiring Scheme

Wiring Scheme:	T568A/B
-----------------------	---------

Weight

Weight:	0.048 lbs.
----------------	------------

Packaging

Packaging:	Individually packaged in a plastic bag.
-------------------	---

Mechanical Characteristics (Connectivity)

Footprint/Type:	KeyConnect
------------------------	------------

Plug / Jack Compatibility:	RJ45, RJ11
-----------------------------------	------------

Termination Interface:

Termination	Connection	Durabilities
Front	Mated Connection	750 cycles
Rear	Mated Connection	20 cycles

Cable/Connector Retention:	15 lbs.
-----------------------------------	---------

Connector/Hardware Retention:	20 lbs.
--------------------------------------	---------

Plug/Connector Retention:	11.250 lbs.
----------------------------------	-------------

Storage Temperature Range:	-40°C To +70°C
-----------------------------------	----------------

Installation Temperature Range:	-10°C To +60°C
--	----------------

RV5MJKSME-S1 Modular Connectors - REVConnect Jack CAT5E Shield

Operating Temperature Range: -10°C to +60°C

Tool Compatibility: REVConnect Termination Tool (p/n RVUTT01)

Applicable Specifications and Agency Compliance (Overall)

Applicable Standards & Environmental Programs

UL Rating: UL94V-0

IEEE Specification: Power Over Ethernet (PoE) IEEE 802.3at type 1 and 2 (up to 30W), IEEE802.3bt/D1.7 type 3 and 4 (up to 100W), CISCO UPOE (up to 60W), Power over HDBaseTTM (up to 100W)

EU Directive 2002/95/EC (RoHS): Yes

EU RoHS Compliance Date (mm/dd/yyyy): 07/01/2006

MIL Order #39 (China RoHS): EUP 50

Telecommunications Standards: Category 5e - TIA 568.C.2, Category 5 - ISO/IEC 11801:2002 Ed.2

Safety Listing: c(UL)us Listed

Other Specification: UL 1863, IEC 60603-7, FCC part 68-F

Flame Test

UL Flame Test: UL2043 Air Handling Spaces

Suitability

Suitability - Indoor: Yes - Indoor

Transmission Characteristics (Connectivity)

Mated Connection Table 1:

Frequency (MHz)	Max. Insertion Loss TIA* (dB)	Max. Insertion Loss Belden** (dB)	Min. NEXT TIA* (dB)	Min. NEXT Belden** (dB)	Min. FEXT TIA* (dB)	Min. FEXT Belden** (dB)
1.000	0.100	0.100	65.000	77.000	65.000	77.000
4.000	0.100	0.100	65.000	73.800	63.100	74.800
8.000	0.100	0.100	64.900	67.700	57.000	68.700
10.000	0.100	0.100	63.000	65.800	55.100	66.800
16.000	0.100	0.100	58.900	61.700	51.000	62.700
20.000	0.100	0.100	57.000	59.800	49.100	60.800
25.000	0.100	0.100	55.000	57.800	47.100	58.800
31.250	0.110	0.100	53.100	55.900	45.200	56.900
62.500	0.160	0.120	47.100	49.900	39.200	50.900
100.000	0.200	0.160	43.000	45.800	35.100	46.800
160.000		0.210		41.700		42.700

Mated Connection Table - Footnote:

* TIA/EIA-568-C.2 Category 5E Standard.

** Worst-case performance for a CAT5E mated connection using CAT5E modular plugs.

Mated Connection Table 2:

Frequency (MHz)	Min. Return Loss TIA* (dB)	Min. Return Loss Belden** (dB)	Min. Balanced TCL Belden** (dB)
1.000	30.000	32.000	42.000
4.000	30.000	32.000	42.000
8.000	30.000	32.000	42.000
10.000	30.000	32.000	42.000
16.000	30.000	32.000	42.000
20.000	30.000	32.000	42.000
25.000	30.000	32.000	42.000
31.250	30.000	32.000	42.000
62.500	24.000	31.100	36.100
100.000	20.000	27.000	32.000
160.000		22.900	27.900

Dielectric Strength: 1,000 V RMS @ 60 Hz for 1 minute (Signals to Ground)

Current Rating: 1.300 A

Insulation Resistance: 500 M-Ohm Minimum

Max. Contact Resistance: 20 m-Ohm

Termination Resistance: 2.5 m-Ohm

Notes (Overall)

Notes: Please see Installation Guide PX106435.

Product Family

RV5MJKSME-S1 Modular Connectors - REVConnect Jack CAT5E Shield

Put Ups and Colors:

Item #	Putup	Ship Weight	Color	Notes	Item Desc
RV5MJKSME-S1	1 EA	0.070 LB		Q	REVConn CAT5E Jack Metal

Notes:

Q = STANDARD PACKAGES CANNOT BE BROKEN.

Revision Number: 0 Revision Date: 04-13-2017

© 2017 Belden, Inc.
All Rights Reserved.

Although Belden makes every reasonable effort to ensure their accuracy at the time of this publication, information and specifications described herein are subject to error or omission and to change without notice, and the listing of such information and specifications does not ensure product availability. Belden provides the information and specifications herein on an "AS IS" basis, with no representations or warranties, whether express, statutory or implied. In no event will Belden be liable for any damages (including consequential, indirect, incidental, special, punitive, or exemplary damages) whatsoever, even if Belden has been advised of the possibility of such damages, whether in an action under contract, negligence or any other theory, arising out of or in connection with the use, or inability to use, the information or specifications described herein. All sales of Belden products are subject to Belden's standard terms and conditions of sale. Belden believes this product to be in compliance with EU RoHS (Directive 2002/95/EC, 27-Jan-2003). Material manufactured prior to the compliance date may be in stock at Belden facilities and in our Distributor's inventory. The information provided in this Product Disclosure, and the identification of materials listed as reportable or restricted within the Product Disclosure, is correct to the best of Belden's knowledge, information, and belief at the date of its publication. The information provided in this Product Disclosure is designed only as a general guide for the safe handling, storage, and any other operation of the product itself or the one that it becomes a part of. This Product Disclosure is not to be considered a warranty or quality specification. Regulatory information is for guidance purposes only. Product users are responsible for determining the applicability of legislation and regulations based on their individual usage of the product.