

THIS DRAWING IS UNPUBLISHED. RELEASED FOR PUBLICATION  
 © COPYRIGHT - By - ALL RIGHTS RESERVED.

REVISIONS					
P	LTR	DESCRIPTION	DATE	DWN	APVD
	C4	REVISED PER ECO-14-002693	01MAR2014	NK	RH
	C5	REVISED PER ECO-16-018096	22JUN2017	RK	PO

**SPECIFICATIONS:**

**BREAK-BEFORE-MAKE**

**MATERIAL:**

SLIDER, GLASS FILLED NYLON, UL94-HB, BLACK.  
 BASE, GLASS FILLED PBT, BLUE.  
 COVER, GLASS FILLED PBT, BLUE.  
 SLIDE PLATE, STAINLESS STEEL.  
 ACTUATOR, PPS, BLACK.  
 ROCKER CONTACT(GOLD), COPPER ALLOY, GOLD OVER NICKEL PLATING.  
 ROCKER CONTACT(SILVER), COPPER ALLOY PLUS COINED SILVER.  
 FIXED CONTACT/TERMINAL (GOLD), COPPER ALLOY, GOLD OVER NICKEL PLATE.  
 FIXED CONTACT/TERMINAL(SILVER), COPPER ALLOY PLUS COINED SILVER, GOLD OVER NICKEL PLATE.

**ELECTRICAL:**

CONTACT RATING(SILVER)-3A@115V AC OR 1.5A@230V AC  
 CONTACT RATING(GOLD)-.4VA MAX@20V DC OR PEAK AC  
 INITIAL CONTACT RESISTANCE-20 MILLIOHMS MAX.  
 INSULATION RESISTANCE-1,000 MEGOHMS MIN @ 500V DC  
 DIELECTRIC STRENGTH- 500 V RMS @ SEA LEVEL.  
 LIFE EXPECTANCY- 30,000 OPERATIONS.

**MECHANICAL:**

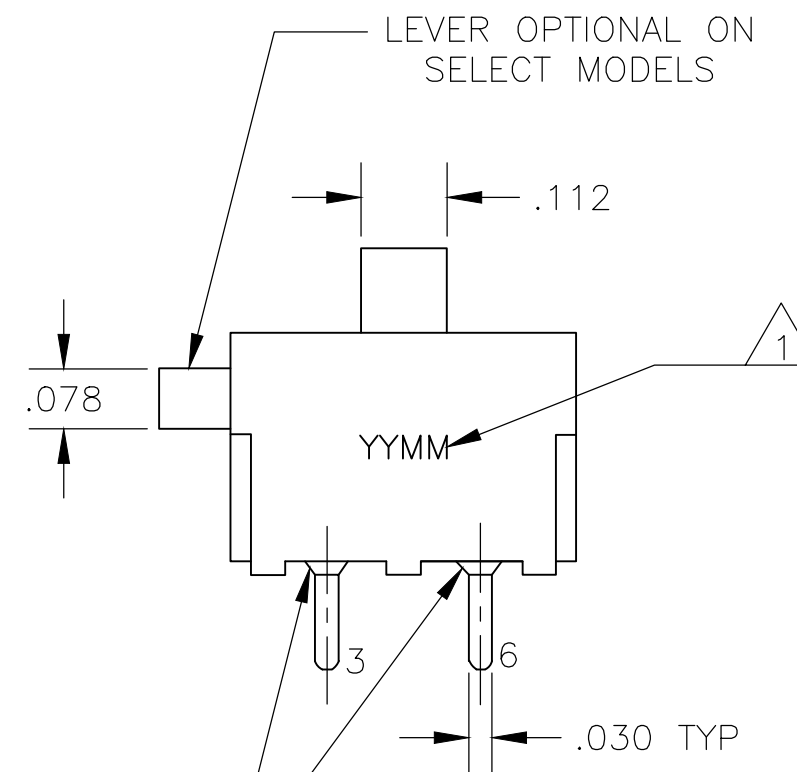
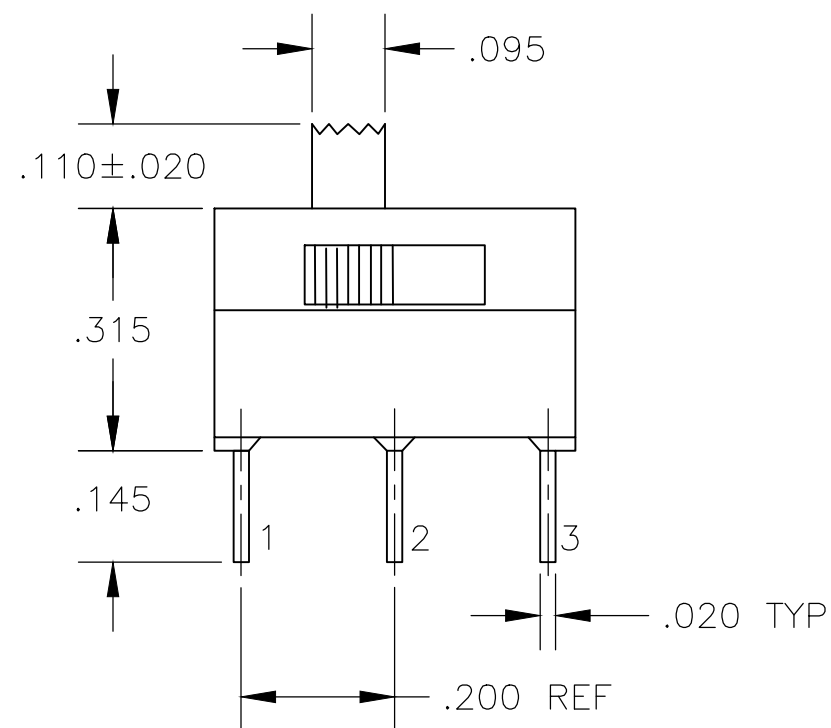
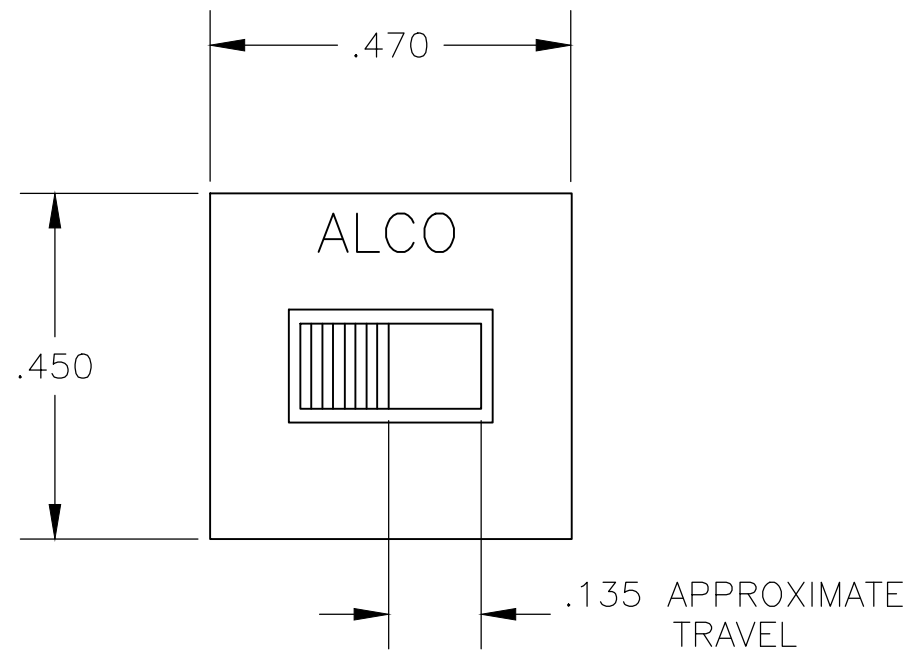
OPERATING FORCE- 600+/-300 GRAMS.  
 TRAVEL-.120

**ENVIRONMENTAL:**

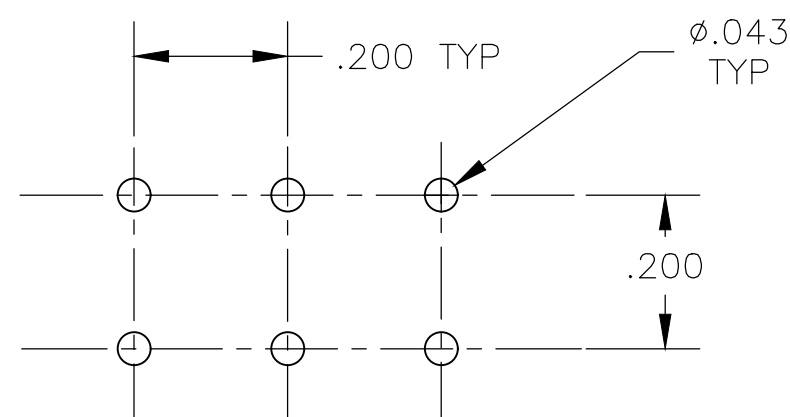
OPERATING TEMPERATURE- -20°C TO +65°C  
 STORAGE TEMPERATURE- -40°C TO +100°C  
 SOLDER HEAT RESISTANCE- PER 109-202 CONDITION B.  
 SOLDERABILITY PER EIA 364-52, CLASS 2, CATAGORY 1.



DATE CODE MARKING Y Y M M (YEAR, MONTH).



EPOXY SEALED TERMINALS



RECOMMENDED HOLE LAYOUT  
 TOLERANCE ±.002 UNLESS OTHERWISE NOTED

OBOSLETE	2,1 & 5,4	NONE	2,3 & 5,6	DPDT	SILVER	MSSA214N04	5-1437580-2
	2,1 & 5,4	OFF	2,3 & 5,6	DPDT	GOLD	MSSA211PG04	5-1437580-1
	2,1 & 5,4	NONE	2,3 & 5,6	DPDT	GOLD	MSSA211NGRA04	5-1437580-0
	2,1 & 5,4	NONE	2,3 & 5,6	DPDT	GOLD	MSSA211NG04	4-1437580-9
				TYPE	PLATING	ALCO PART NO.	PART NO.

THIS DRAWING IS A CONTROLLED DOCUMENT.		DWN R BROWN 20APR04	TE Connectivity	
DIMENSIONS: INCHES		CHK M SARVER 20APR04		
TOLERANCES UNLESS OTHERWISE SPECIFIED:		APVD M SARVER 20APR04	NAME	
0 PLC ± -		PRODUCT SPEC	SLIDE SWITCH, DP (MSS-211 & 214)	
1 PLC ± -		APPLICATION SPEC	SIZE A2	CAGE CODE 00779
2 PLC ± -		WEIGHT	DRAWING NO C-4-1437580-9	RESTRICTED TO
3 PLC ± .010		CUSTOMER DRAWING	SCALE 4:1	SHEET 1 of 1
4 PLC ± -			REV C5	
ANGLES ± 1°				
FINISH				