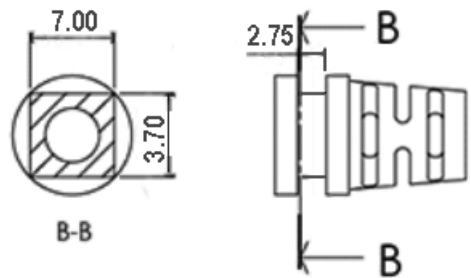
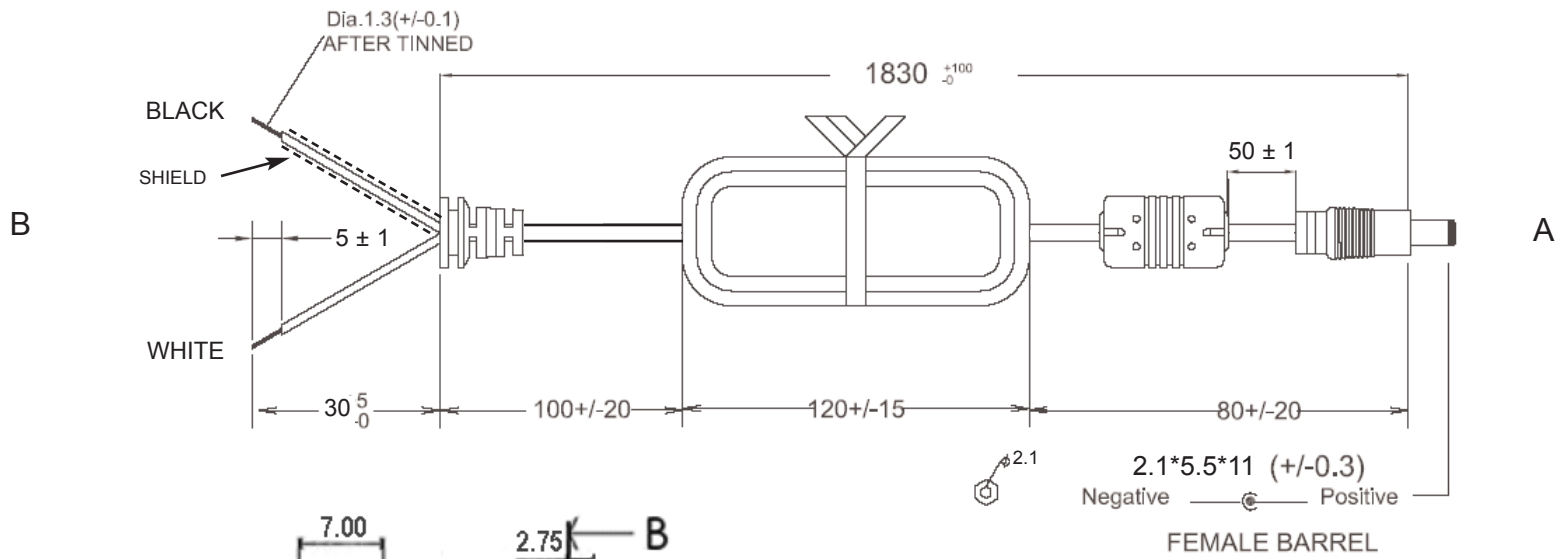


PROPRIETARY INFORMATION:
 PROPRIETARY OF GLOBTEK, INC. ANY REPRODUCTION, DISCLOSURE OR USE OF THIS DRAWING, IN WHOLE OR IN PART, IS HEREBY PROHIBITED EXCEPT AS SPECIFIED IN WRITING BY GLOBTEK, INC.

REVISION			
REV	DESCRIPTION	DATE	APPROVED
A	INITIAL RELEASE, RFS. 10409, GC	03/07/07	HM
B	ADD NOTE FOR THE STRAIN RELIEF, RF,27509, HM	03/17/20	MK



RELEASED
 By pudxc at 10:17 am, Mar 20, 2020

GENERAL SPECIFICATIONS:

VOLTAGE: 300 V
 TEMPERATURE: 80°C
 CABLE TYPE / SIZE: UL 1185, 18 AWG X 1C + SHIELD, CABLE MOLDED WITH FERRITE
 CABLE JACKET COLOR: BLACK
 OVERALL LENGTH : 1830 + 100,-0 mm (6 Ft)
 END 'A' TERMINATION: FEMALE BARREL 5.5 x 2.1 x 11 mm
 END 'B' TERMINATION: STRIP & TIN
 STRAIN RELIEF: CASE 1088
 APPROVALS CABLE: UL or cUL, CSA
 APPROVALS CONNECTOR: N/A

Customer Approval of Specification:
 Please approve, sign and send back to GlobTek so we can complete order processing. A delay in receipt of this form will delay delivery schedule.

Company Name:
 Customer P/N:
 Quote Number:
 Date:
 Auth. Rep. Name:
 Auth. Rep. Signature:

PACKING:

BULK PACKED, BUNDLES OF 25.
 MAXIMUM SHIPPING CARTON WEIGHT IS 30 KG.

NOTES:

CORD MUST BE MARKED WITH APPROVAL SYMBOLS OR FILE NUMBER(S)



DASH NO.	PART NO	REV.	DESCRIPTION	NOTES
TABULATION BLOCK				
		TOLERANCES: DECIMALS ANGULAR .xx +/- 0.1 +/- 1° .xxx +/- .005		GlobTek, Inc. www.globtek.com 186 Veterans Dr. Northvale, NJ 07647 Tel. 201-784-1000 Fax 201.784.0111
		MILLIMETERS ANGULAR .xx +/- 0.3 +/- 1° .xxx +/- .013		
INIT.BY: GC		DATE: 03/07/07	DWG TITLE: OUTPUT CABLE ASSEMBLY WITH STRAIN RELIEF	
DRAWN: NF		DATE: 03/07/07	FSCN No.: G, CC	SIZE: A
APRVD: HM		DATE: 03/07/07	SCALE: NONE	PART NO: CCP11856F00-SR
				REV. B
				SHEET 1/1

Foot Note:
 Globtek Inc. will not be liable for the safety and performance of these power product if unauthorized access and repair occurs. End user should consult the applicable UL, CSA or EN Standards for proper installation instruction.

Limitation of Use:
 Globtek product are not authorized for use as mission critical components in life support, hazardous environment, nuclear or aircraft applications without prior written approval from the CEO of Globtek Inc.

Contents of this document are subject to change without prior notice