

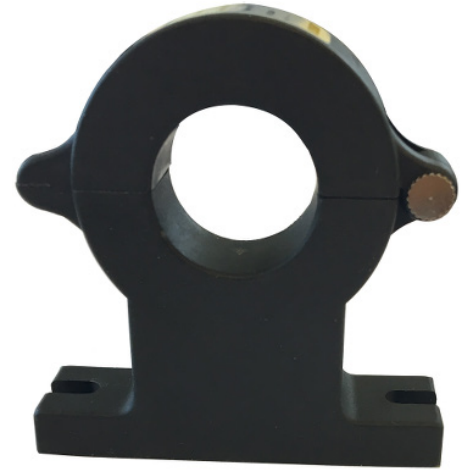
AIMH021 VT Series

# 21mm Hall Effect Current Sensor

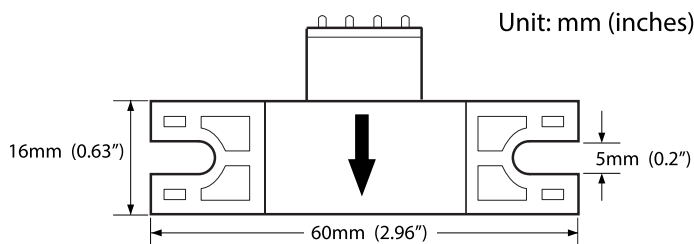
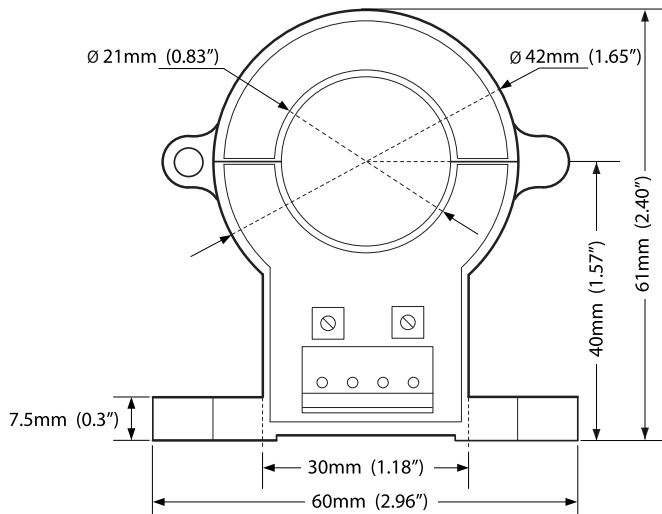
Aim Dynamics' AIMH021 VT series utilizes the Hall Effect principle to measure DC current up to 200A, unidirectional. They output a corresponding 0-5 Vdc signal. The AIMH series is 1% accurate. The AIMH021 VT is not suitable for monitoring AC currents (use the AIMH021 standard series instead).

### SPECIFICATIONS

Rated Primary Current	50A, 100A, 200A
Rated Output	0-5 Vdc
Power Supply	+12 Vdc Required, 35 mA max
Temperatures	Storage: -22°F to 221°F (-30° to 105°C) Operating: 14°F to 185°F (-10° to 85°C)
Offset	None
UL Max Voltage	600V on Bare Conductor
Operating Frequency	DC
Certifications	61010-1, EN 60044-1
Accuracy	+/-1% Class per IEC 61869-2
Weight	0.23lbs (0.104 kg)



WIRING	
+	= +12 Vdc
M	= Signal
⊥	= Common



### MODEL BUILDER

AIMH **a** - **b** A - **c**

<b>Window Size</b> <b>a:</b> 021 = 21mm	<b>Amperage Rating</b> <b>b:</b> 50 = 50A 100 = 100A 200 = 200A	<b>Output</b> <b>c:</b> 5VT = 0-5V (Unidirectional)
--	--	--

### SAFETY

- CE and RoHS Compliant

