

LAYOUT SHOWN AS EXAMPLE

Keying Shown as example

**CHARACTERISTICS**

- Standard : Based on MIL-DTL-38999 Series III
- Shell Material : Aluminium
- Shell Plating : Olive drab Cadmium
- Insulator : Thermoplastic
- Contacts : Copper Alloy
- Seals & Grommet : Silicon Elastomer
- Contact Plating : Gold over copper Alloy 0.8µm minimum
- Durability : 500 Mating cycles
- Delivered without Souriau contacts
- Temperature Range : -65°C to +175°C
- Salt Spray : 500 hours
- Mass : 62.2 g ± 10%

| Connector dimension |               |
|---------------------|---------------|
| Dim                 | Nominal       |
| P                   | 3.91±0.2      |
| PP                  | 6.15±0.2      |
| R1                  | 34.93         |
| R2                  | 31.75         |
| S                   | 42.9±0.3      |
| V                   | 20.07+0/-1.25 |
| W                   | 2.1/3.2       |
| Z                   | 31.5 Max      |
| VV THREAD           | M34x1-6g      |

SOURIAU shall not be liable for any non-conformity or damage due to a use of the Products which does not comply with the Specifications issued by either of the Parties or by a third party (professional recommendation, technical notice.)

| Country | Jurisdiction & Control List |
|---------|-----------------------------|
| FR      | Not Listed                  |

**PN: 8D023W21SNL**

|              |   |                                |   |
|--------------|---|--------------------------------|---|
| A            | 23-09-2016  | First Release                  |   |
| ISS          | DATE  | Latest modification - by       | MOD N°  |
| Designed By: |   | Date:                          | <b>CUSTOMER DRAWING</b>   |
| <b>TITLE</b> | <b>Aluminium Receptacle 8D series</b>                               |                                |   |
| SCALE        |   | General linear Tolerances: ±-- | NPRDS / PROJECT<br><b>859</b>   |
| NA           | <b>SOURIAU</b> <a href="http://WWW.SOURIAU.COM">WWW.SOURIAU.COM</a> |                                | This document is the property of SOURIAU it must not be reproduced or communicated without permission |
| FORMAT       | <b>A3</b>   |                                | <b>SOURIAU DRG N° 8D023W21SNL-C</b> SHEET 1/2   |

|                |                          |   |   |    |   |    |   |   |   |                                    |
|----------------|--------------------------|---|---|----|---|----|---|---|---|------------------------------------|
| BASIC SERIES:  | 8D                       | 0 | - | 23 | W | 21 | S | N | L | Delivered W/O Contacts             |
| SHELL TYPE :   | Square Flange Receptacle |   |   |    |   |    |   |   |   | ORIENTATION : N                    |
| CONTACT TYPE : | Standard Crimp Contact   |   |   |    |   |    |   |   |   | CONTACT TYPE : SOCKET(500 Matings) |
| SHELL SIZE :   | 23                       |   |   |    |   |    |   |   |   | CONTACT LAYOUT : 23-21             |
| PLATING :      | W = Olive drab Cadmium   |   |   |    |   |    |   |   |   |                                    |

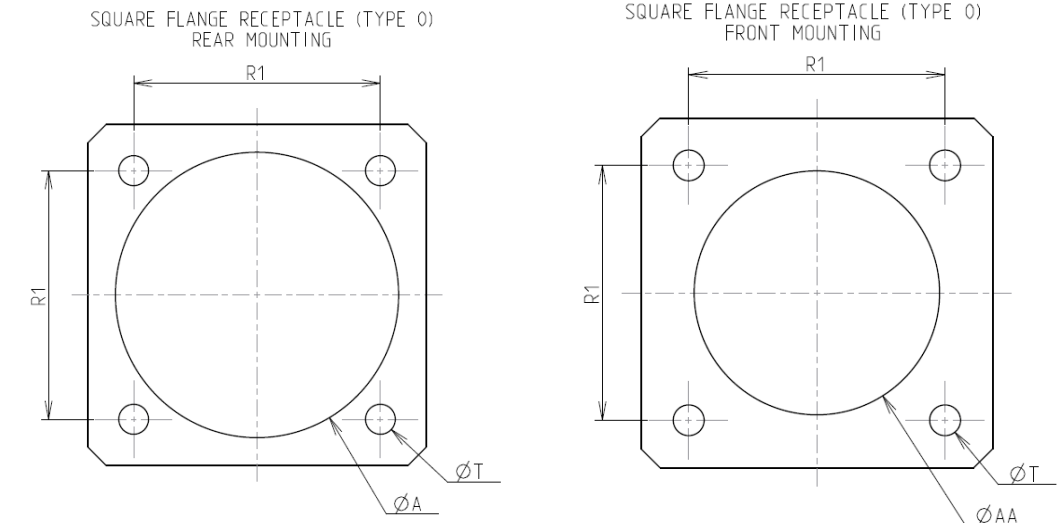
Contact Layout



| Contacts<br>(Insert arrangement 23-21) |               |               |                     |              |              |
|--|---------------|---------------|---------------------|--------------|--------------|
| Contact position ID                    | Location      |               | Contact position ID | Location     |              |
|  | X-axis (mm)   | Y-axis (mm)   |                     | X-axis (mm)  | Y-axis (mm)  |
| A                                      | +128 (3.25)   | +385 (9.78)   | M                   | -289 (7.34)  | +285 (7.24)  |
| B                                      | +289 (7.34)   | +285 (7.24)   | N                   | -128 (3.25)  | +385 (9.78)  |
| C                                      | +386 (9.80)   | +123 (3.12)   | P                   | +000 (0.00)  | +245 (6.22)  |
| D                                      | +400 (10.16)  | -065 (1.65)   | R                   | +160 (4.06)  | +146 (3.71)  |
| E                                      | +328 (8.33)   | -239 (6.07)   | S                   | +214 (5.44)  | -.035 (0.89) |
| F                                      | +183 (4.65)   | -.362 (9.19)  | T                   | +094 (2.39)  | -.194 (4.93) |
| G                                      | +000 (0.00)   | -.406 (10.31) | U                   | -.094 (2.39) | -.194 (4.93) |
| H                                      | -.183 (4.65)  | -.362 (9.19)  | V                   | -.214 (5.44) | -.035 (0.89) |
| J                                      | -.328 (8.33)  | -.239 (6.07)  | W                   | -.160 (4.06) | +146 (3.71)  |
| K                                      | -.400 (10.16) | -.065 (1.65)  | X                   | +000 (0.00)  | +000 (0.00)  |
| L                                      | -.386 (9.80)  | +123 (3.12)   | ---                 | ---          | ---          |

| Shell size | Arrangement no. | Number of contacts | Size contacts | Service rating | Contact location | Supersedes |
|------------|-----------------|--------------------|---------------|----------------|------------------|------------|
| 23         | -21             | 21                 | 16            | II             | All              | MS20056-21 |

Panel Cutout



| Dim | Nominal    |
|-----|------------|
| ØA  | 39.29 min  |
| ØAA | 34.93 min  |
| R1  | 34.93      |
| ØT  | 3.91 ±0.13 |

SOURIAU shall not be liable for any non-conformity or damage due to a use of the Products which does not comply with the Specifications issued by either of the Parties or by a third party (professional recommendation, technical notice.)

| Country | Jurisdiction & Control List |
|---------|-----------------------------|
| FR      | Not Listed                  |

PN: 8D023W21SNL

|                |                                     |                                |  |
|----------------|-------------------------------------|--------------------------------|--|
| A              | 23-09-2016                          | First Release                  |  |
| ISS            | DATE                                | Latest modification - by       | MOD N°   |
| Designed By:   |                                     | Date:                          | <b>CUSTOMER DRAWING</b>  |
| <b>TITLE</b>   | Aluminium Receptacle 8D series      |                                |  |
| SCALE          |                                     | General linear Tolerances: ±-- | NPRDS / PROJECT<br><b>859</b>  |
| <b>SOURIAU</b> | <b>WWW.SOURIAU.COM</b>              |                                | This document is the property of SOURIAU<br>it must not be reproduced or communicated without permission |
| FORMAT         | <b>SOURIAU DRG N° 8D023W21SNL-C</b> |                                | SHEET<br>2/2   |