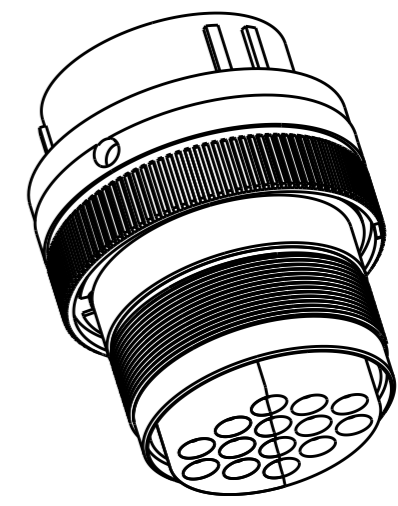
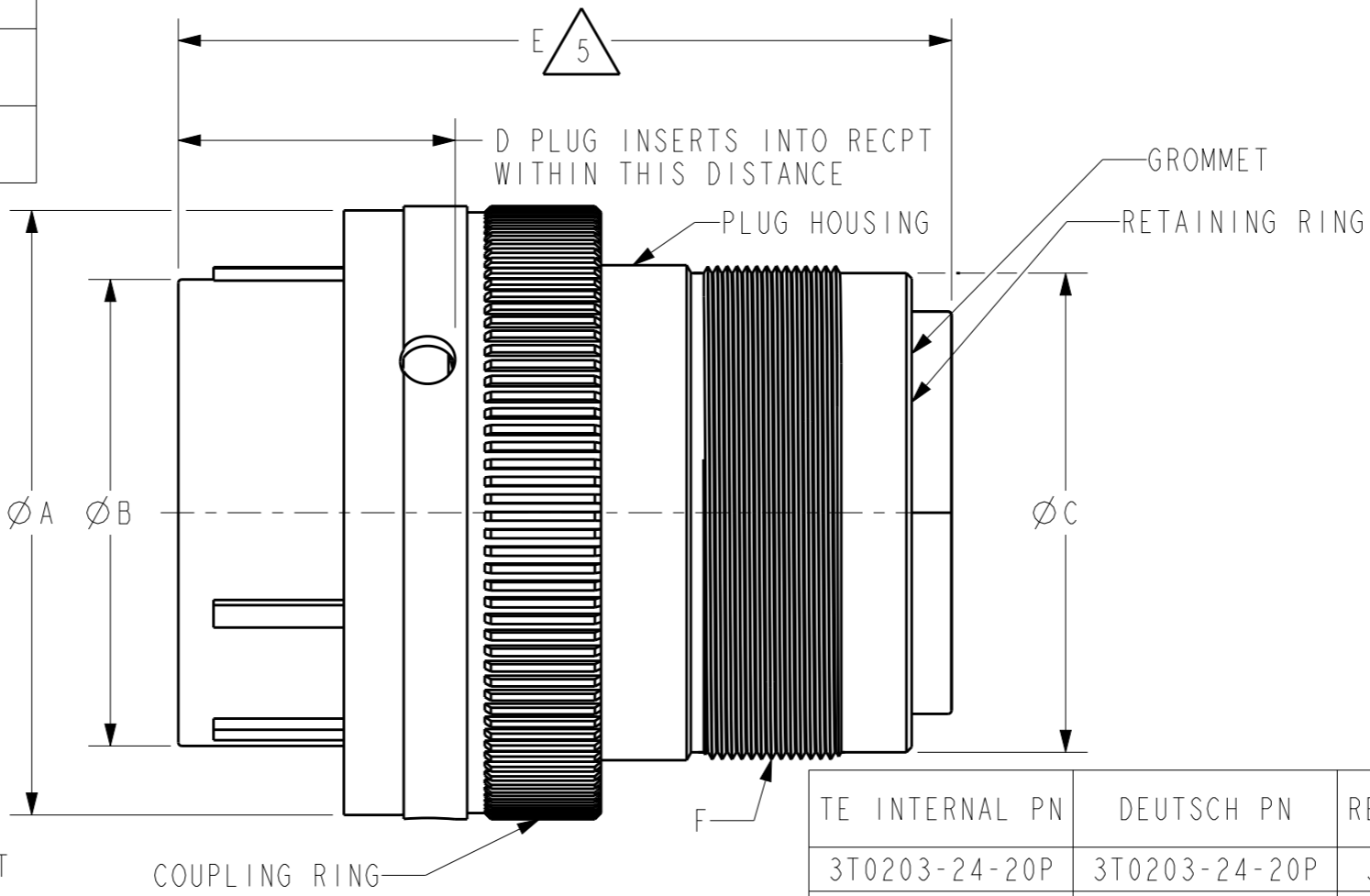
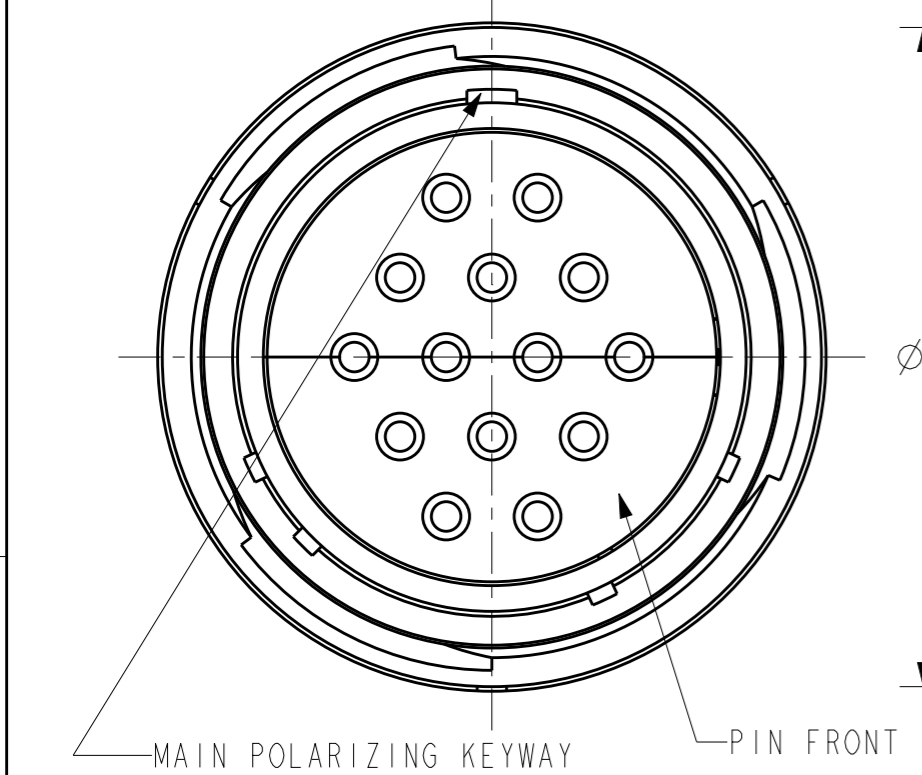


THIS DRAWING IS UNPUBLISHED
 RELEASED FOR PUBLICATION 2017
 © COPYRIGHT 2017 BY - TE CONNECTIVITY ALL RIGHTS RESERVED.

P	LTR	DESCRIPTION	DATE	DWN	APVD
	BI	REVISED PER PCN E-17-018475	08DEC2017	CM	DM
	C	REVISED PER PCN E-18-018867	04DEC2018	AJ	DM
	CI	REVISED PER PCN E-19-007592	09JAN2020	CO	IG

CONTACT SIZE	MIN. INSUL O.D.	MAX. INSUL O.D.	WIRE RANGE [mm ²] REF ONLY
4	.280 [7.111]	.420 [10.67]	4 AWG [21.0]
8	.190 [4.83]	.240 [6.10]	8-10 AWG [8.0-5.0]
12	.134 [3.40]	.170 [4.32]	10-14 AWG [5.0-2.0]
16	.100 [2.54]	.134 [3.40]	14-20 AWG [2.0-0.5]



3D VIEW

7. SEE PAGE 2 FOR CONTINUED NOTES.
6. PART NUMBER INFO:
 XXXX = CATERPILLAR PART NO.
 24/32 = PLUG SHELL SIZE
 XX = ARRANGEMENT NO.
5. TOTAL DIMENSION WITH WIRE SEAL.
4. FOR CONTACTS AND WIRES PERFORMANCE AND APPLICATION CHARACTERISTICS SEE CUSTOMER DRAWING 4025-001-0000.
3. FOR ARRANGEMENT OF CONTACT LOCATION SEE CUSTOMER DRAWING 4025-006-0000.
2. PLUG IS SUPPLIED WITH DUST CAP PN 6VI824 (SIZE 24), AND 5P8922 (SIZE 32) (NOT SHOWN).
1. CONSULT THE FACTORY FOR ELECTRICAL AND MATERIAL SPECIFICATIONS.

NOTES:

TE INTERNAL PN	DEUTSCH PN	REV	ARRANGEMENT	CONTACT SIZE	QTY	CONTACT TYPE
3T0203-24-20P	3T0203-24-20P	J	24-20	16	20	PIN
3T3044-32-25P	3T3044-32-25P	J	32-25	4 8 12 16	2 3 4 16	PIN
3T3412-32-37P	3T3412-32-37P	J	32-37	16	37	PIN

PART NUMBER	SIZE	ϕA REF [mm]	ϕB [mm]	ϕC [mm]	D [mm]	E REF [mm]	F THREAD
3TXXXX-24-XXS/P	24	$\phi 1.716$ [43.59]	$\phi 1.325$ [33.66]	$\phi 1.368$ [34.75]	.780 [19.81]	2.195 [55.75]	1.4375-18UNEF-2A MODIFIED
3TXXXX-32-XXS/P	32	$\phi 2.380$ [60.45]	$\phi 1.915$ [48.64]	$\phi 1.925$ [48.90]	.780 [19.81]	2.195 [55.75]	2.000-18UNS-2A MODIFIED

THIS DRAWING IS A CONTROLLED DOCUMENT.

DWN: A. MALAGON 06JAN2010
 CHK: R. MILLIGAN 14JUL2010
 APVD: S. BEARD 14JUL2010

TE TE Connectivity

NAME: PLUG CONNECTOR
 SHELL SIZE 24 AND 32
 C.E. SERIES

DIMENSIONS: in [mm]

TOLERANCES UNLESS OTHERWISE SPECIFIED:
 0 PLC ±
 1 PLC ±
 2 PLC ±
 3 PLC ±.025 [.64]
 4 PLC ±
 ANGLES ±0° 30' 0"

MATERIAL: FINISH:

PRODUCT SPEC: -
 APPLICATION SPEC: -
 WEIGHT: -

SIZE: A3 CAGE CODE: 4AFU8 DRAWING NO: 3TXXXX-24/32-XXS/P RESTRICTED TO: -

CUSTOMER DRAWING SCALE: 1:1 SHEET: 1 OF 2 REV: CI

THIS DRAWING IS UNPUBLISHED

RELEASED FOR PUBLICATION

2017

© COPYRIGHT 2017

BY - TE CONNECTIVITY


ALL RIGHTS RESERVED.

REVISIONS


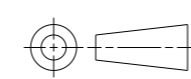


P	LTR	DESCRIPTION	DATE	DWN	APVD
-		SEE SHEET 1	-	-	-

10. ENDBELL MOUNTING TORQUE:
- SIZE 24
124 ± 17.7 in-lbf [14 ± 2 Nm]
 - SIZE 32
159.31 ± 35.4 in-lbf [18 ± 4 Nm]

 PLATING: CLEAR TRIVALENT CHROMATE CONVERSION COATING (ROHS COMPLIANT).

 MATERIAL:
 PLUG HOUSING: AL 6000 SERIES
 COUPLING RING: AL 6000 SERIES
 RETAINING RING: PA66 GF10 (GREEN)
 PIN FRONT: PA66 GF (BLACK)
 GROMMET: VMO (RED-ORANGE)

NOTES: (CONTINUED)

THIS DRAWING IS A CONTROLLED DOCUMENT.		DWN A. MALAGON 06 JAN 2010	 TE Connectivity	
DIMENSIONS: in [mm]		CHK R. MILLIGAN 14 JUL 2010		
		APVD S. BEARD 14 JUL 2010	NAME PLUG CONNECTOR SHELL SIZE 24 AND 32 C.E. SERIES	
TOLERANCES UNLESS OTHERWISE SPECIFIED:		PRODUCT SPEC	RESTRICTED TO	
0 PLC ± 1 PLC ± 2 PLC ± 3 PLC ±.025 [.64] 4 PLC ± ANGLES ±0° 30' 0"		APPLICATION SPEC	SIZE A3	CAGE CODE 4AFU8
MATERIAL 	FINISH 	WEIGHT -	DRAWING NO C-3TXXXX-24/32-XXS/P	SCALE 1:1
		CUSTOMER DRAWING	SHEET 2 OF 2	REV C1