

4

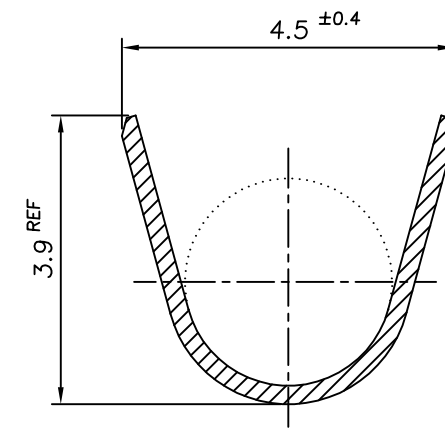
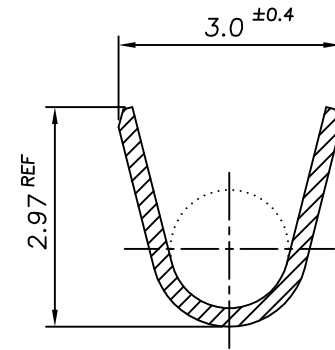
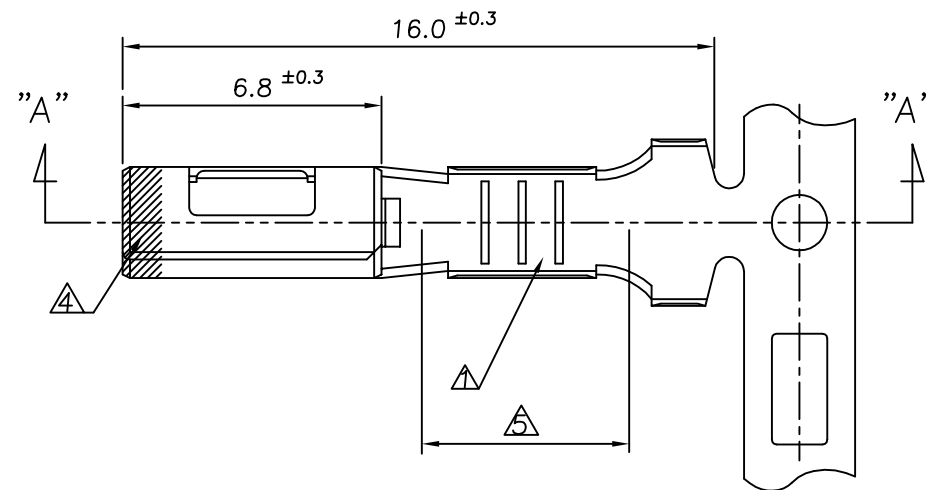
3

2

1

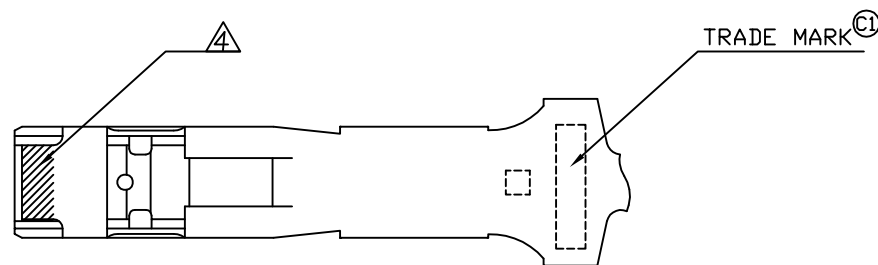
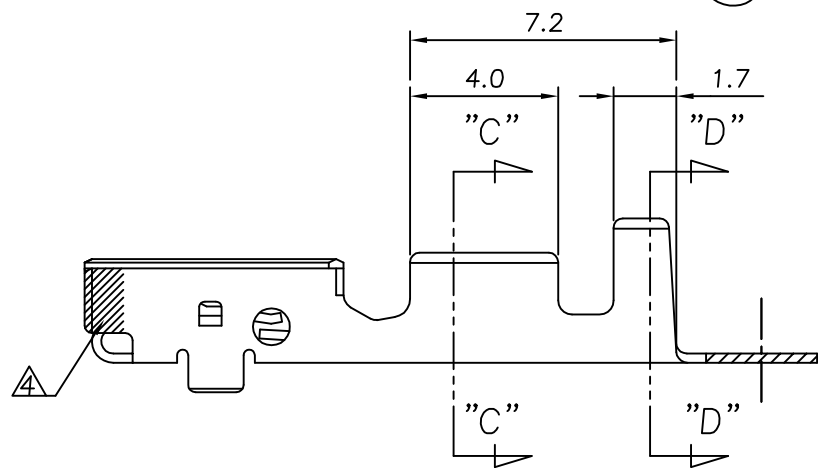
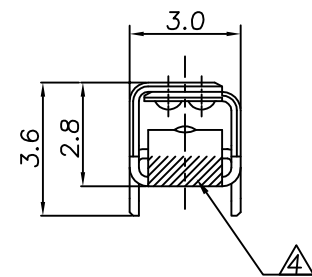
THIS DRAWING IS UNPUBLISHED. RELEASED FOR PUBLICATION
COPYRIGHT BY TYCO ELECTRONICS CORPORATION, ALL RIGHTS RESERVED.

LOC	DIST	REVISIONS					
		P	LTR	DESCRIPTION	DATE	DWN	APVD
-	-		C1	REVISED (ECR-13-003728)	28.FEB.'13	KT	HG



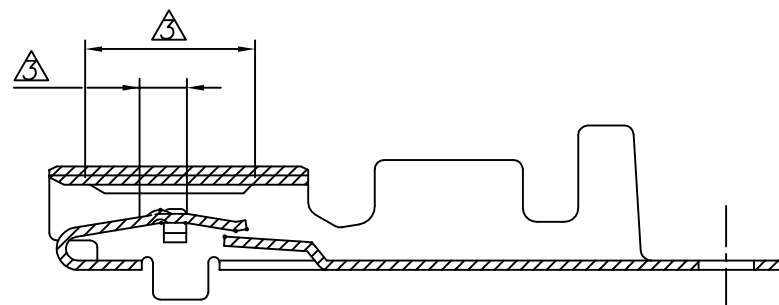
SECTION "C-C"
Scale 10/1

SECTION "D-D"
Scale 10/1



NOTE

- ▲ THREE SERRATIONS CENTERED IN WIRE BARREL.
- 2. APPLICABLE WIRE RANGE; CAVUS 0.85~AVS 1.2 5SQMM
- ▲ GOLD PLATING AREA (CONTACT SIDE ONLY)
- ▲ GOLD PLATING FOR DISCERNMENT
- ▲ TIN PLATING AREA



SECTION "A-A"

FINISH	MATERIAL	PART NUMBER
▲▲▲ SELECTIVE-GOLD	CuNiSi, 0.25 Thk	1-368084-1
PRE-TINNED	CuNiSi, 0.25 Thk	368084-1

<small>THIS DRAWING IS A CONTROLLED DOCUMENT FOR TYCO ELECTRONICS CORPORATION IT IS SUBJECT TO CHANGE AND THE CONTROLLING ENGINEERING ORGANIZATION SHOULD BE CONTACTED FOR THE LATEST REVISION.</small>		DWN KT JUNG CHK KT LIM APVD HG CHD PRODUCT SPEC 108-61021 APPLICATION SPEC 114-61004 WEIGHT CUSTOMER DRAWING		TE Connectivity NAME 090 II MLC RECEP. SIZE A3 CAGE CODE 00779 DRAWING NO C-368084 RESTRICTED TO -	
DIMENSIONS: MM	TOLERANCES UNLESS OTHERWISE SPECIFIED: 0 <XX<10 ± 0.2 10<XX<30 ± 0.25 ANGLES ± 3°	SCALE	5/1	SHEET	1 OF 1
MATERIAL SEE TABLE	FINISH SEE TABLE			REV	C1