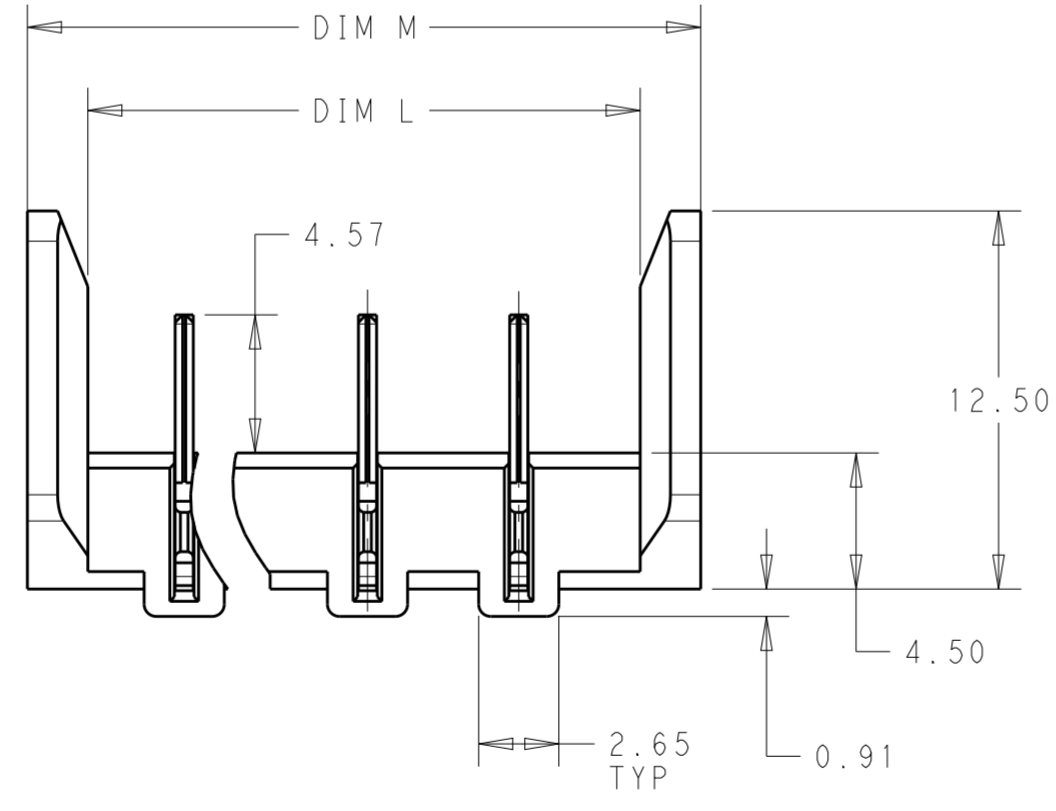
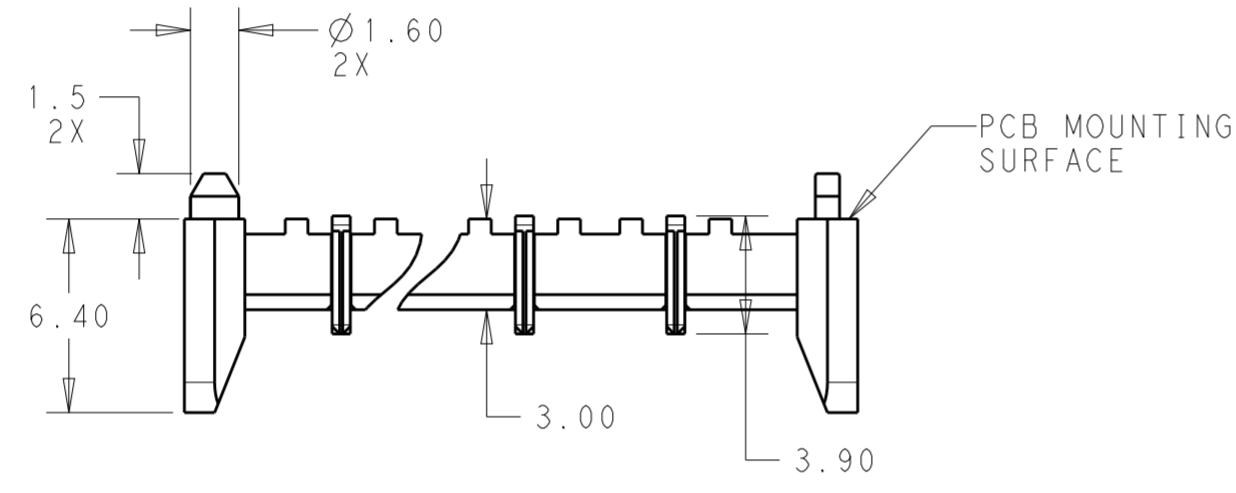
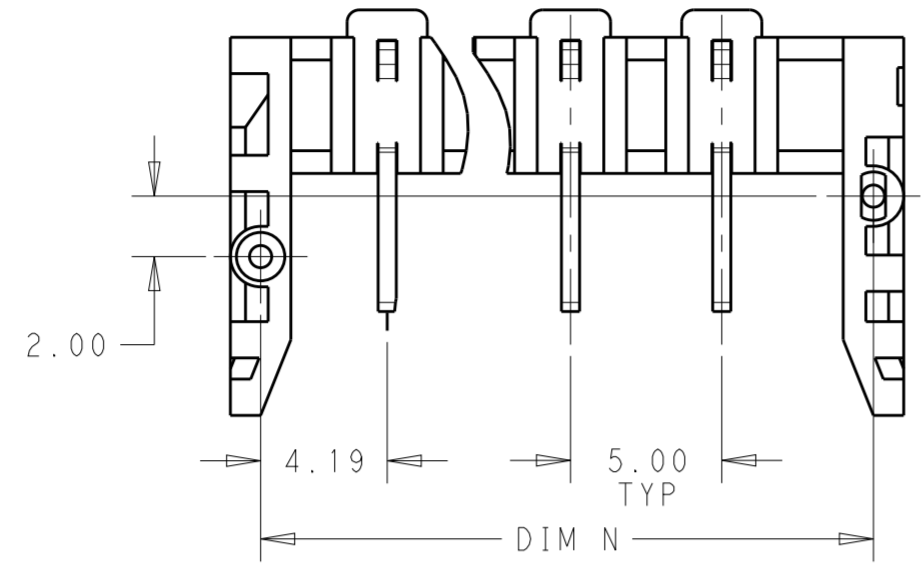


THIS DRAWING IS UNPUBLISHED. RELEASED FOR PUBLICATION
 © COPYRIGHT copyright.d8te- ALL RIGHTS RESERVED.

REVISIONS				
P	LTR	DESCRIPTION	DATE	APVD
3		PART UPDATE	07FEB2018	JS ML
A		ECR-18-011659	24JUL2018	GCM DD
A1		ECR-18-011838	27JUL2018	RSM DD
A2		ECR-18-013416	17SEP2018	SR DD



NOTES:

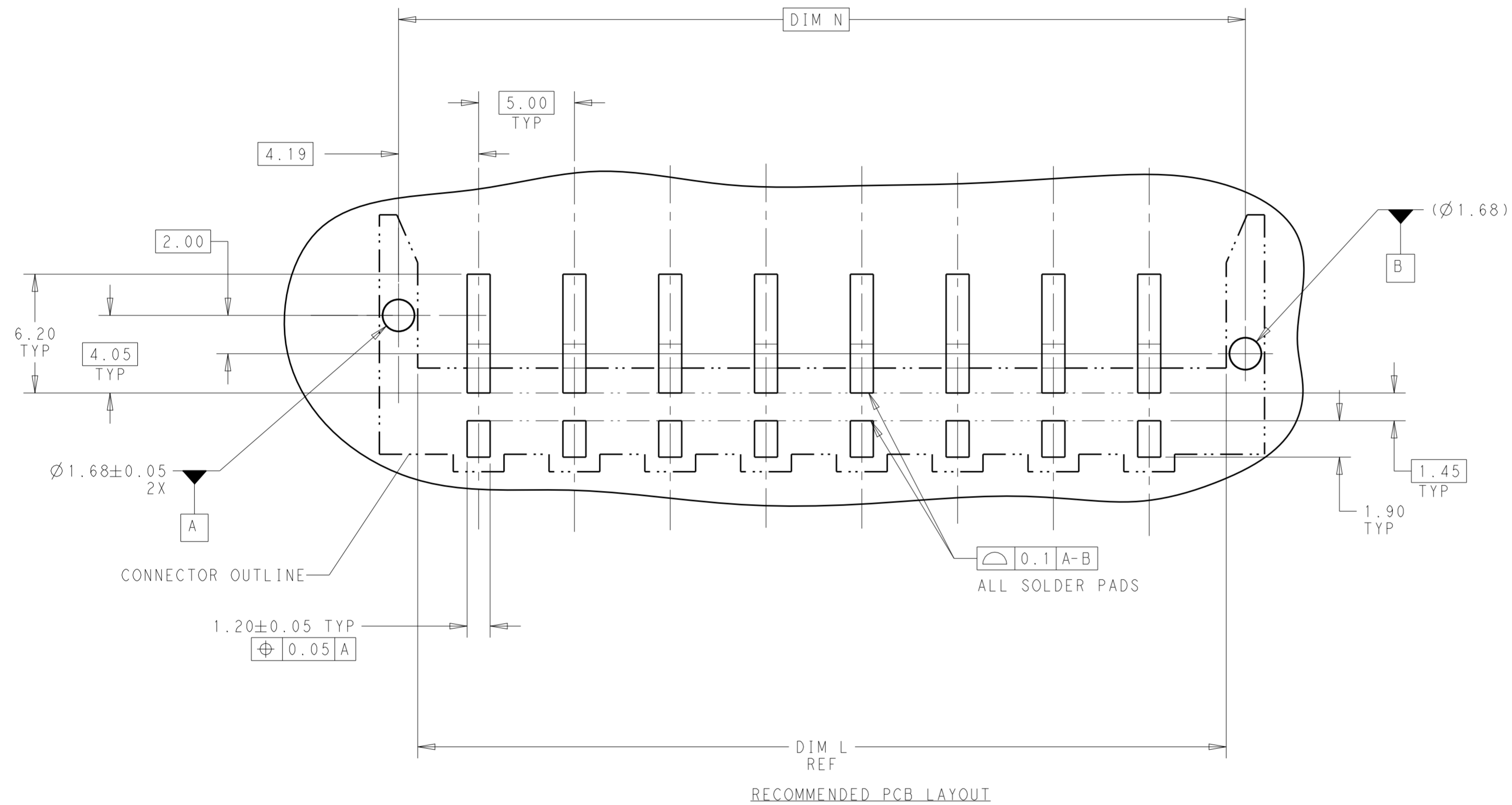
1. MATERIALS AND FINISH:
 -HOUSING: GF LCP, COLOR: NATURAL
 -CONTACTS: COPPER ALLOY, FINISH: Sn OVER Ni
2. MUST COMPLY WITH DIRECTIVE 2002/95/EC (ROHS)
3. THIS PRODUCT HAS NOT COMPLETED VALIDATION TESTING
4. PACKAGED TAPE AND REEL (PER EIA 481 SPEC).

44.20	46.20	42.20	8	2318770-8
39.20	41.20	37.20	7	2318770-7
34.20	36.20	32.20	6	2318770-6
29.20	31.20	27.20	5	2318770-5
24.20	26.20	22.20	4	2318770-4
19.20	21.20	17.20	3	2318770-3
14.20	16.20	12.20	2	2318770-2
DIM "N"	DIM "M"	DIM "L"	POSITION (REF)	TE PART NUMBER

THIS DRAWING IS A CONTROLLED DOCUMENT.		DWN J. SHAFFER 06 JULY 2017	TE Connectivity	
DIMENSIONS: mm		CHK MAREK LUKSIC 06 JUL 2017		
TOLERANCES UNLESS OTHERWISE SPECIFIED:		APVD MAREK LUKSIC 06 JUL 2017	NAME BUCHANAN WireMate WALL PLATE SMT HEADER, 5mm PITCH	
0 PLC ± 1 PLC ±0.20 2 PLC ±0.10 3 PLC ± 4 PLC ± ANGLES ±2° FINISH -		PRODUCT SPEC 108-133105	RESTRICTED TO	
MATERIAL		APPLICATION SPEC 114-133111	SIZE A2	CAGE CODE 00779
		WEIGHT	DRAWING NO C-2318770	SCALE 4:1
		CUSTOMER DRAWING	SHEET 1 OF 2	REV A2

THIS DRAWING IS UNPUBLISHED. RELEASED FOR PUBLICATION
 © COPYRIGHT copyright.d8te- ALL RIGHTS RESERVED.

REVISIONS				
P	LTR	DESCRIPTION	DATE	APVD
-	-	SEE SHEET 1	-	-



THIS DRAWING IS A CONTROLLED DOCUMENT.		DWN J. SHAFFER 06 JULY 2017	TE Connectivity		
DIMENSIONS: mm 		CHK MAREK LUKSIC 06 JUL 2017			
TOLERANCES UNLESS OTHERWISE SPECIFIED: 0 PLC ± 1 PLC ±0.20 2 PLC ±0.10 3 PLC ± 4 PLC ± ANGLES ±2° FINISH -		APVD MAREK LUKSIC 06 JUL 2017	NAME BUCHANAN WireMate WALL PLATE SMT HEADER, 5mm PITCH		
MATERIAL -		PRODUCT SPEC -	SIZE A200779	CAGE CODE C-2318770	
-		APPLICATION SPEC -	DRAWING NO -	RESTRICTED TO -	
-		WEIGHT -	SCALE 4:1 SHEET 2 OF 2 REV A2		
-		CUSTOMER DRAWING			