

THIS DRAWING IS UNPUBLISHED.

RELEASED FOR PUBLICATION

REVISIONS

© COPYRIGHT - TE Connectivity Ltd.

ALL RIGHTS RESERVED.

P	LTR	DESCRIPTION	DATE	DWN	APVD
	D	REVISED PER ECR-19-009721	11JUL2019	M.G	D.Z

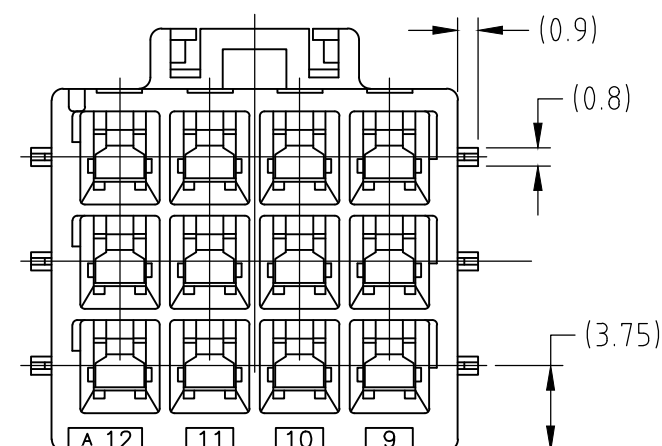
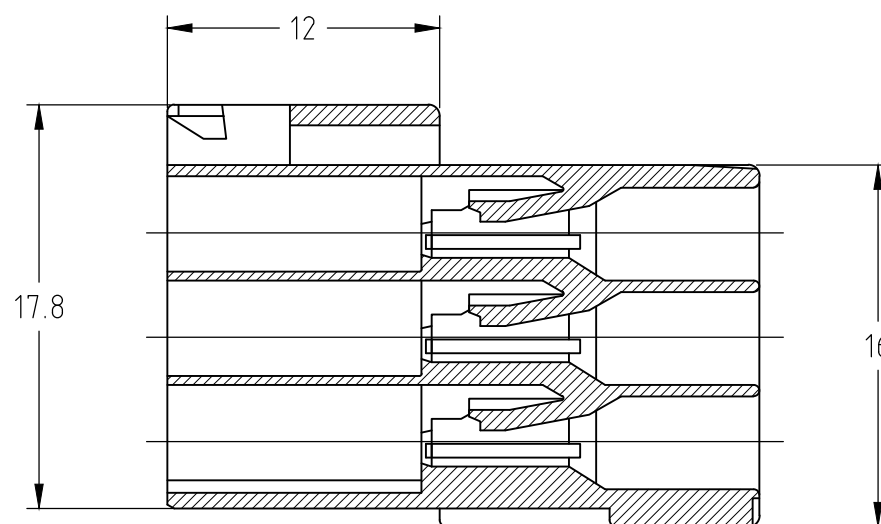
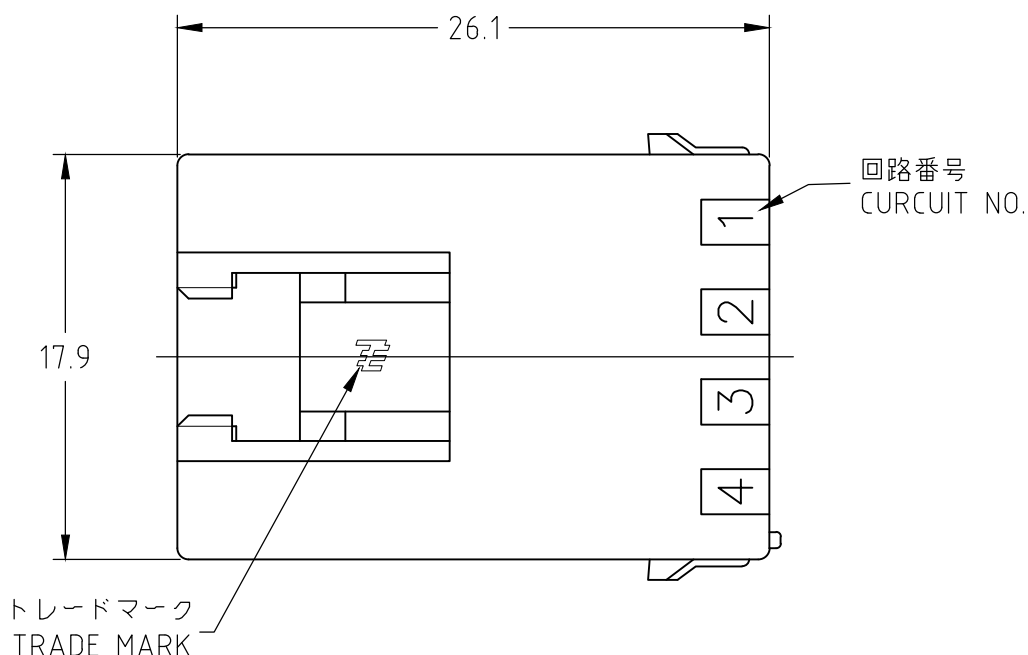
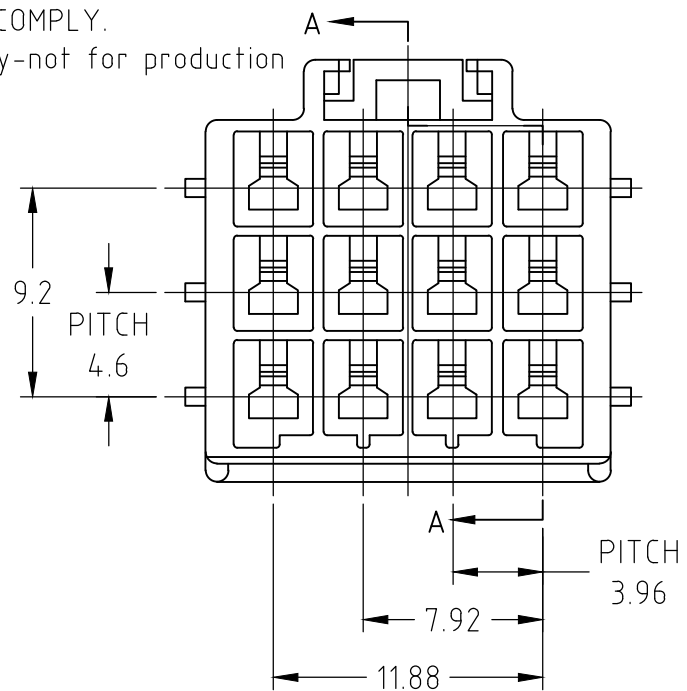
注:

- 1. 一般公差: ±0.3
- 2. かん合相手型番: TABLE参照
- 3. 適用コンタクト型番
タブコンタクト: 177917-X(#20-#16AWG)
177916-X(#26-#22AWG)
- 4. 適用プレート型番: 177920-X

NOTES:

- 1. GENERAL TOLERANCE: ±0.3
- 2. MATING CONN. P/N: SEE TABLE
- 3. APPLICABLE CONTACT P/N
TAB CONTACT: 177917-X(#20-#16AWG)
177916-X(#26-#22AWG)
- 4. APPLICABLE PLATE P/N: 177920-X
- △ PART 5-1903720-1 COMPLY WITH GLOW WIRE REQUIREMENT FOR PARTS OF NON-METALLIC MATERIAL SUPPORTING A CURRENT-CARRYING CONNECTION DETAILED IN IEC 60335-1, SECTION 30(GWT)
- 6. PART 1903720-2 COMPLY WITH HOT WIRE REQUIREMENT, PA66, UL94V-0, HOT WIRE IGNITION(HWI) VERSION ARE MOLDED IN A RESIN THAT RECOMMENDED FOR USE WITH HWI HOUSING THAT ALSO COMPLY.

△ Preliminary-not for production



177905-7	自然色 NATURAL	12	1903720-2 △
5-177905-1	自然色 NATURAL	12	5-1903720-1 △
177905-1	自然色 NATURAL	12	1903720-1
かん合相手型番 MATING CONN. P/N	色調 COLOR	極数 POS	型番 PART NUMBER

THIS DRAWING IS A CONTROLLED DOCUMENT.		DWN J.SATO 19JAN2006	STE TE Connectivity		
DIMENSIONS: 単位: 耗 mm		CHK N.YAMASAKI			
TOLERANCES UNLESS OTHERWISE SPECIFIED: 一般公差		APVD N.YAMASAKI	NAME 名称 AMP POWER DOUBLE LOCK CONN.3.96MM PITCH CAP HOUSING 12POS (FREE HANGING TYPE)		
0 PLC ± - 1 PLC ± - 2 PLC ± - 3 PLC ± - 4 PLC ± - ANGLES ± -		PRODUCT SPEC 製品規格 108-5410	SIZE A3	CAGE CODE 00779	DRAWING NO 番号 C-1903720
MATERIAL 材料 6/6 NYLON (UL94 V-0)		FINISH 仕上	WEIGHT 0	RESTRICTED TO -	SCALE 尺度 3:1
CUSTOMER DRAWING			SHEET 1 OF 1	REV D	