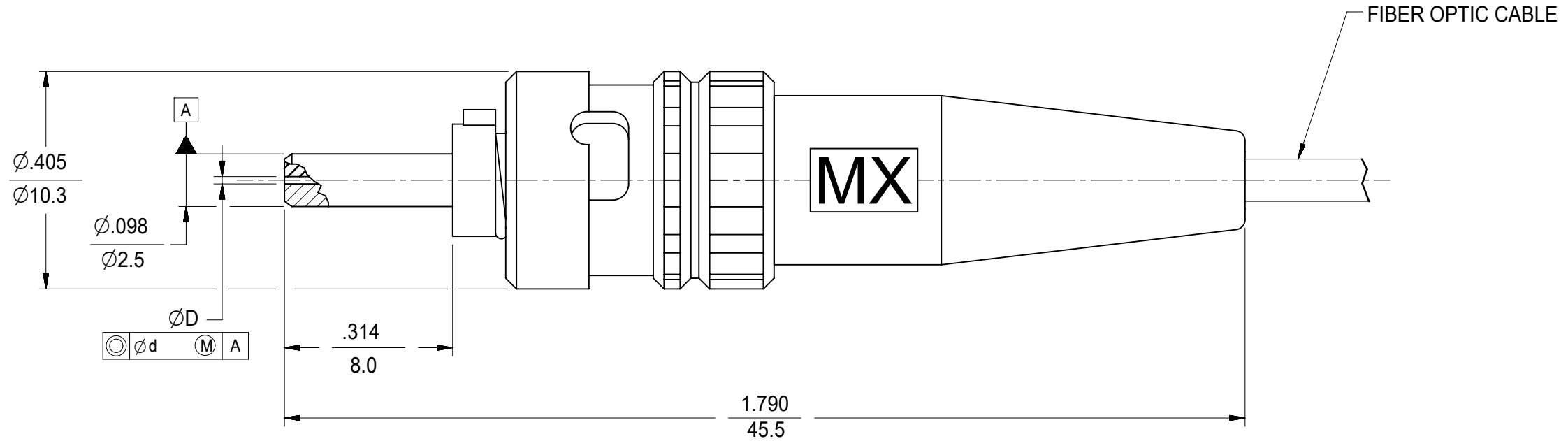


10	9	8	7	6	5	4	3	2	1
CONNECTOR P/N	$\varnothing D$ ( $\mu m$ )	$\varnothing d$ ( $\mu m$ )	MATERIAL of FERRULE	BOOT COLOR	CABLE TYPE				
106010-0100	127.0 $^{+3.0}_0$	5.0	Zr PLUS	BLACK	MULTIMODE				
106010-0110*				RED					
106010-0140									
106010-0160*									
106010-3110	128.0 $^{+2.0}_0$	3.0	Zr	BLUE	MULTIMODE				
106010-3100				BLACK					
106010-5100	126.0 $^{+1.0}_0$	1.0	Zr	YELLOW	SINGLE MODE				
106010-5130									



NOTES:

1. DUST CAP NOT SHOWN BUT INCLUDED.

\*2. P/Ns 106010-0110 AND 106010-0160 ARE BULK PACKED IN QUANTITIES OF 100 PCS.

THIS DRAWING CONTAINS INFORMATION THAT IS PROPRIETARY TO MOLEX ELECTRONIC TECHNOLOGIES, LLC AND SHOULD NOT BE USED WITHOUT WRITTEN PERMISSION															
DIMENSION UNITS		SCALE		CURRENT REV DESC: OBSOLETE PART NO											
IN/MM		5:1		<p><b>molex</b></p> <p>ST CONNECTOR 1.6MM AND 2.0MM CABLE</p> <p>PRODUCT CUSTOMER DRAWING</p> <p>EC NO: 621034 DRWN: AKUMAR19 2019/07/19 CHK'D: GGA 2019/09/17 APPR: GGA 2019/09/17</p> <p>INITIAL REVISION: DRWN: RPACIFICI 2006/01/24 APPR:</p>											
GENERAL TOLERANCES (UNLESS SPECIFIED)															
	MM	INCH													
4 PLACES	±	±													
3 PLACES	±	±													
2 PLACES	±	±													
1 PLACE	±	±													
0 PLACES	±	±													
ANGULAR TOL ± 0.5°				<p>DOCUMENT NUMBER: SD-106010-X1X0</p> <p>DOC TYPE: PSD</p> <p>DOC PART: 001</p> <p>REVISION: C</p>											
DRAFT WHERE APPLICABLE MUST REMAIN WITHIN DIMENSIONS				THIRD ANGLE PROJECTION		DRAWING B-SIZE		SERIES 106010		MATERIAL NUMBER SEE TABLE		CUSTOMER GENERAL MARKET		SHEET NUMBER 1 OF 1	