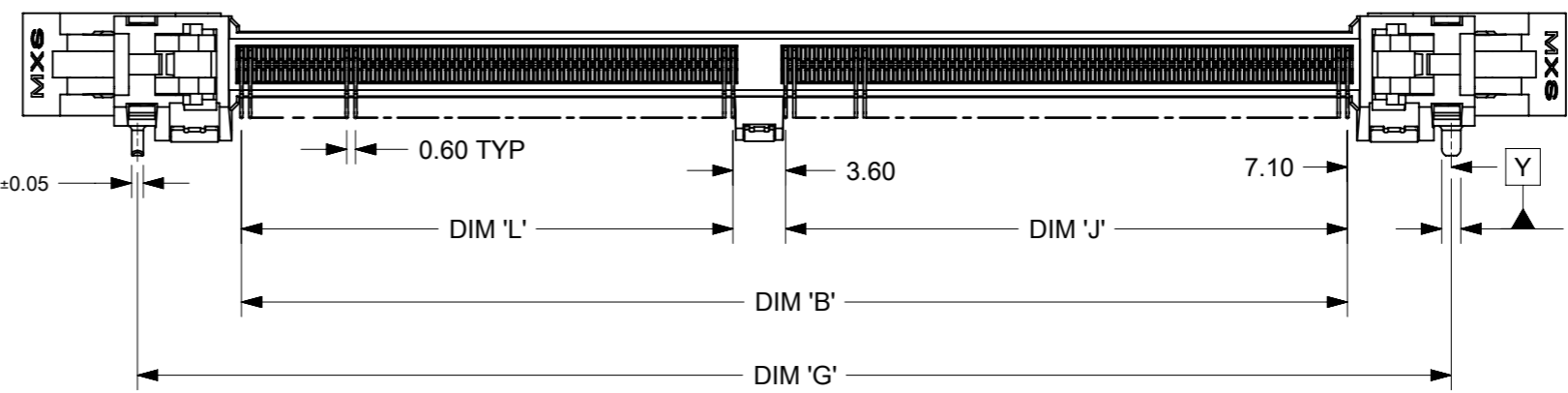
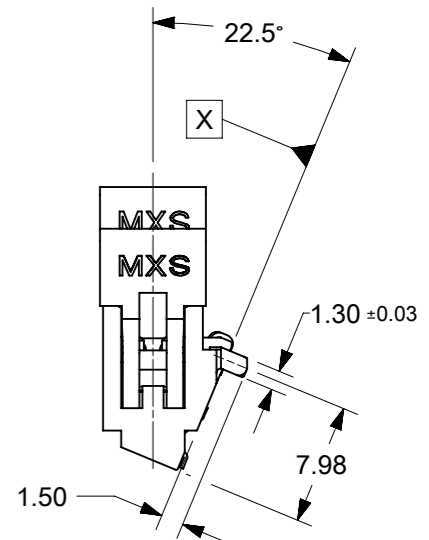
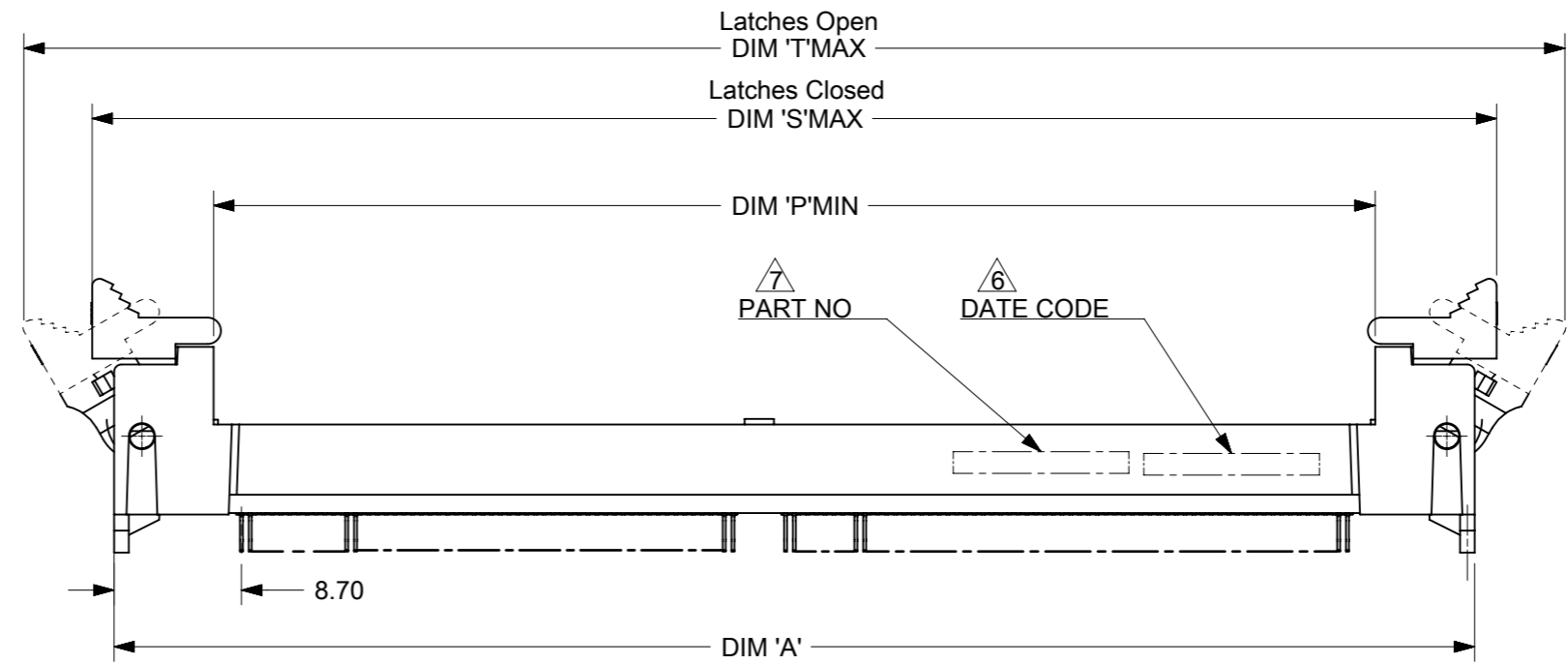


MINIMUM HEIGHT OF SOCKET WITH
MODULE CARD HEIGHT OF 30.00mm
AND THICKNESS OF 4mm.



NOTES :

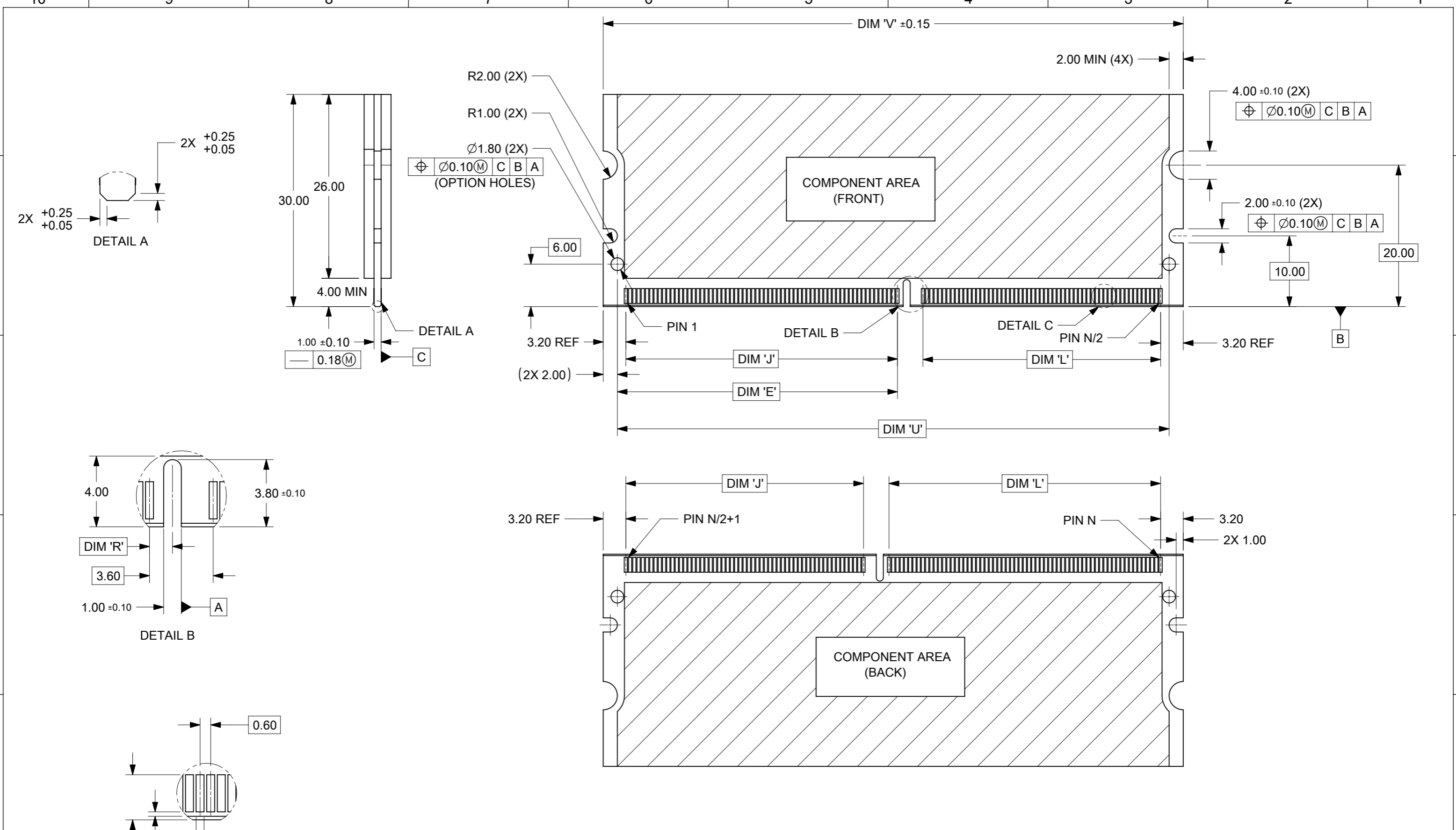
- MATERIAL :
HOUSING : HIGH TEMPERATURE LIQUID CRYSTAL POLYMER, UL94V-0
COLOUR : BLACK
CONTACTS : COPPER ALLOY
LATCHES : HIGH TEMPERATURE NYLON, UL94V-0
COLOUR : NATURAL (OFF-WHITE)
COVER : HIGH TEMPERATURE NYLON, UL 94V-0
COLOUR : BLACK

- FINISH
CONTACTS : 0.76 MICROMETER (30 MICROINCH) MIN GOLD OVER
1.25 MICROMETER (50 MICROINCH) MIN NICKEL
SMT TAIL : 2.54 MICROMETER (100 MICROINCH) MIN TIN OVER
1.25 MICROMETER (50 MICROINCH) MIN NICKEL
- ACCEPTS 1.0mm THICK MEMORY MODULE PER JEDEC MO-244 FOR 244 CKTS AND MO-258 FOR 200 CKTS.
- PRODUCT SPECIFICATION : PS-78035-001.
- PACKING SPECIFICATION: SEE TABLE IN SHEET 4.

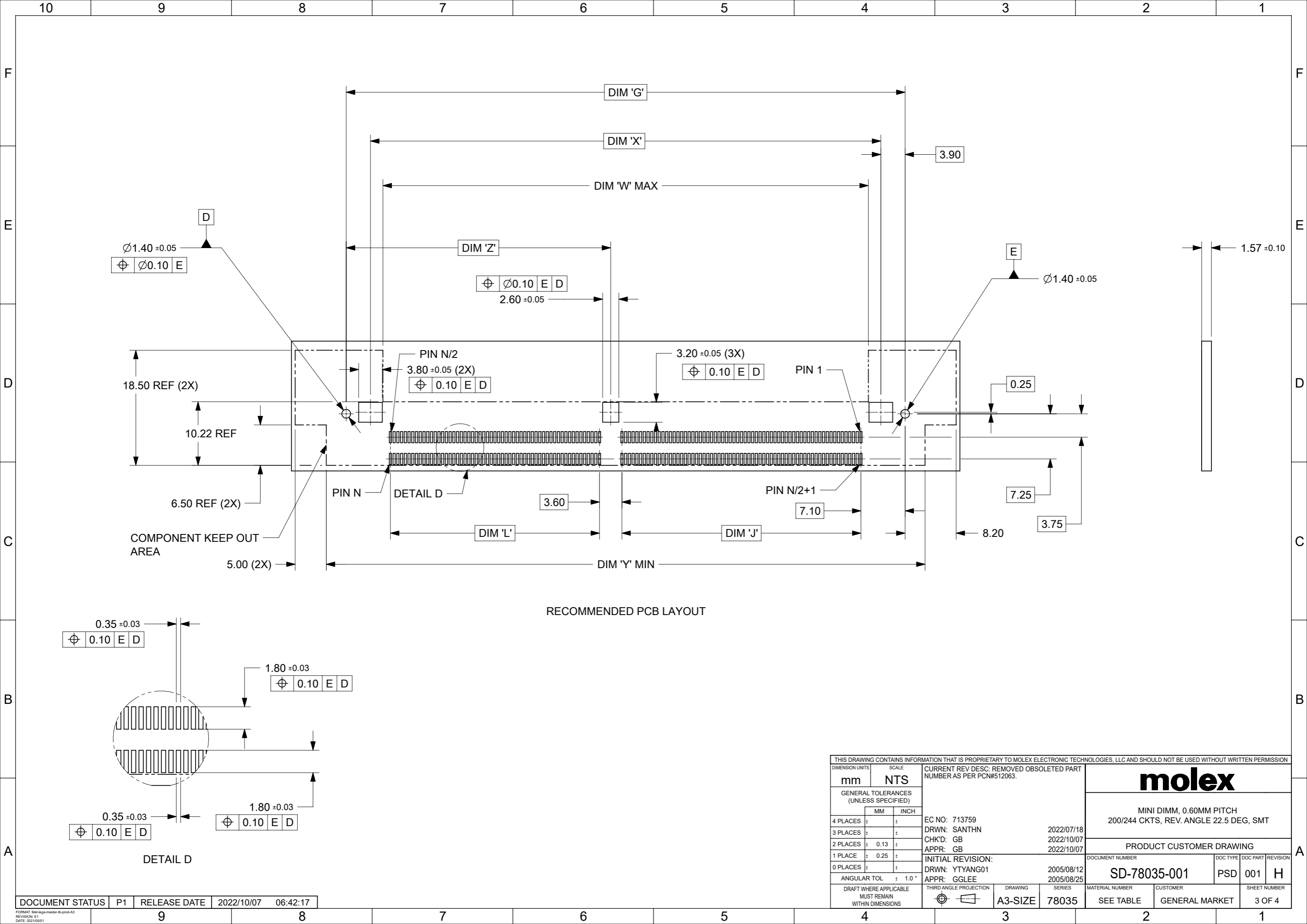
6. DATE CODE SHALL BE MARKED LEGIBLY AS SHOWN : YY DDD.

7. PART NUMBER SHALL BE MARKED LEGIBLY AS SHOWN : 78035-XXXX (REFER TO TABLE).

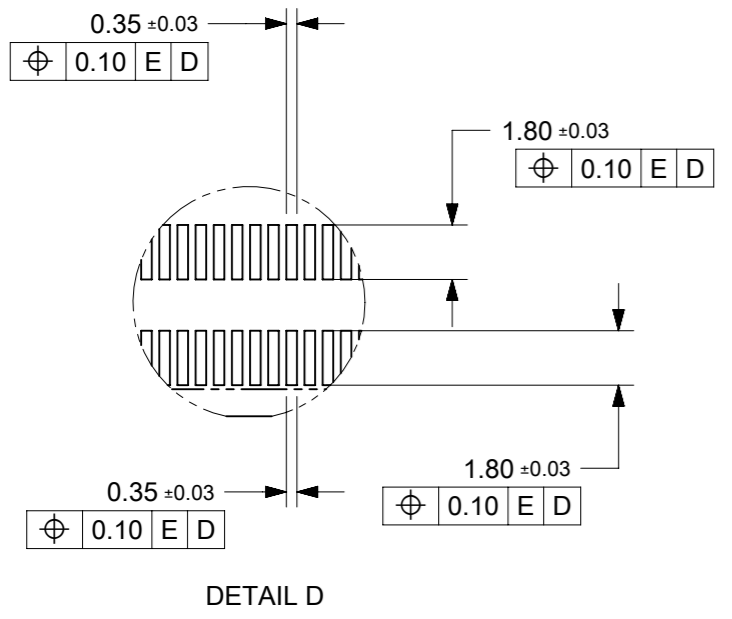
THIS DRAWING CONTAINS INFORMATION THAT IS PROPRIETARY TO MOLEX ELECTRONIC TECHNOLOGIES, LLC AND SHOULD NOT BE USED WITHOUT WRITTEN PERMISSION											
DIMENSION UNITS		SCALE		CURRENT REV DESC: REMOVED OBSOLETE PART NUMBER AS PER PCN#512063.							
mm		NTS									
GENERAL TOLERANCES (UNLESS SPECIFIED)				EC NO: 713759		2022/07/18		MINI DIMM, 0.60MM PITCH 200/244 CKTS, REV. ANGLE 22.5 DEG, SMT			
				DRWN: SANTHN		2022/10/07					
				CHK'D: GB		2022/10/07		PRODUCT CUSTOMER DRAWING			
				APPR: GB		2022/10/07					
				INITIAL REVISION:				DOCUMENT NUMBER: SD-78035-001 DOC TYPE: PSD DOC PART: 001 REVISION: H			
				DRWN: YTYANG01		2005/08/12					
				APPR: GGLEE		2005/08/25		MATERIAL NUMBER: SEE TABLE CUSTOMER: GENERAL MARKET SHEET NUMBER: 1 OF 4			
				ANGULAR TOL ± 1.0°							
DRAFT WHERE APPLICABLE MUST REMAIN WITHIN DIMENSIONS				THIRD ANGLE PROJECTION		DRAWING: A3-SIZE		SERIES: 78035			



THIS DRAWING CONTAINS INFORMATION THAT IS PROPRIETARY TO MOLEX ELECTRONIC TECHNOLOGIES, LLC AND SHOULD NOT BE USED WITHOUT WRITTEN PERMISSION											
DIMENSION UNITS		SCALE		CURRENT REV DESC: REMOVED OBSOLETE PART NUMBER AS PER PCN#512063.							
mm		NTS									
GENERAL TOLERANCES (UNLESS SPECIFIED)											
		MM		INCH							
4 PLACES		±		±		EC NO: 713759					
3 PLACES		±		±		DRWN: SANTHN 2022/07/18					
2 PLACES		± 0.13		±		CHK'D: GB 2022/10/07					
1 PLACE		± 0.25		±		APPR: GB 2022/10/07					
0 PLACES		±		±		INITIAL REVISION:					
ANGULAR TOL		± 1.0°		±		DRWN: YTYANG01 2005/08/12					
						APPR: GGLEE 2005/08/25					
DRAFT WHERE APPLICABLE MUST REMAIN WITHIN DIMENSIONS				THIRD ANGLE PROJECTION		DRAWING		SERIES		DOCUMENT NUMBER	
						A3-SIZE		78035		SD-78035-001	
										DOC TYPE DOC PART REVISION	
										PSD 001 H	
										MATERIAL NUMBER CUSTOMER SHEET NUMBER	
										SEE TABLE GENERAL MARKET 2 OF 4	

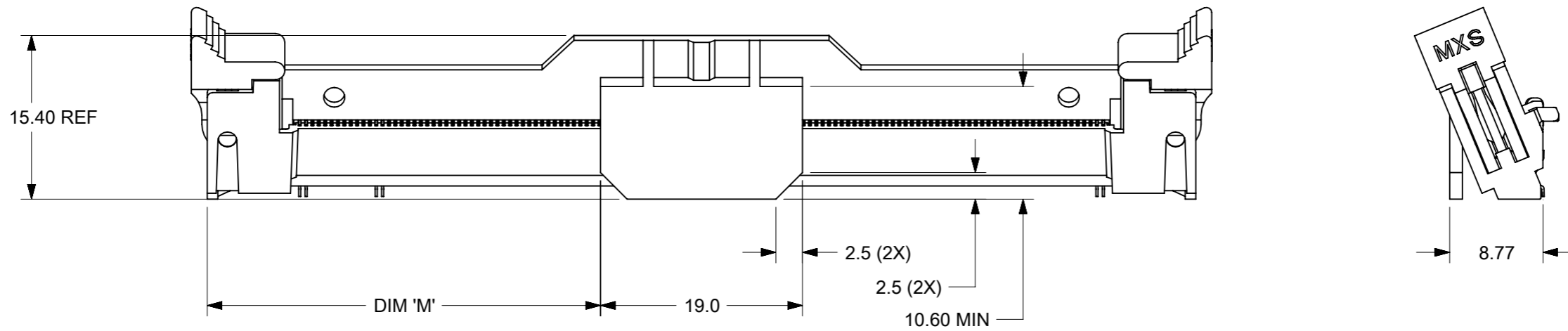


RECOMMENDED PCB LAYOUT



THIS DRAWING CONTAINS INFORMATION THAT IS PROPRIETARY TO MOLEX ELECTRONIC TECHNOLOGIES, LLC AND SHOULD NOT BE USED WITHOUT WRITTEN PERMISSION											
DIMENSION UNITS		SCALE		CURRENT REV DESC: REMOVED OBSOLETE PART NUMBER AS PER PCN#512063.							
mm		NTS									
GENERAL TOLERANCES (UNLESS SPECIFIED)											
		MM		INCH							
4 PLACES		±		±		EC NO: 713759					
3 PLACES		±		±		DRWN: SANTHN 2022/07/18					
2 PLACES		± 0.13		±		CHK'D: GB 2022/10/07					
1 PLACE		± 0.25		±		APPR: GB 2022/10/07					
0 PLACES		±		±		INITIAL REVISION:					
ANGULAR TOL		± 1.0°		±		DRWN: YTYANG01 2005/08/12					
						APPR: GGLEE 2005/08/25					
DRAFT WHERE APPLICABLE MUST REMAIN WITHIN DIMENSIONS				THIRD ANGLE PROJECTION		DRAWING		SERIES		DOCUMENT NUMBER	
						A3-SIZE		78035		SD-78035-001	
										DOC TYPE DOC PART REVISION	
										PSD 001 H	
								MATERIAL NUMBER		CUSTOMER	
								SEE TABLE		GENERAL MARKET	
										SHEET NUMBER	
										3 OF 4	

DOCUMENT STATUS	P1	RELEASE DATE	2022/10/07	06:42:17
-----------------	----	--------------	------------	----------



SHOW WITH PICK & PLACE COVER

CKT SIZE 'N'	PART NUMBER	MODULE CARD	VOLTAGE KEY	DIM 'R'	DIM 'E'	DIM 'J'	DIM 'L'	DIM 'M'	DIM 'P'	DIM 'G'	DIM 'S'	DIM 'T'	DIM 'U'	DIM 'V'	DIM 'W'	DIM 'X'	DIM 'Y'	DIM 'Z'	DIM 'A'	DIM 'B'	TRAY P/N PACKAGING SPEC
244	78035-0001	DDR2	1.8 V	1.30	39.60	38.40	33.60	37.0	79.0	89.80	96.0	106.20	78.00	82.00	78.0	82.00	96.20	42.50	93.0	75.60	89990-8198 89990-8199 PK-78035-001
	78035-0301	DDR3	1.5 V	2.30																	78888-8026 PK-78035-003 (HARDTRAY)
	78035-6301		1.8 V	1.30																	
	78035-6001	DDR2	1.8 V	1.30																	
200	78035-0202	DDR	2.5 V	2.30	24.60	23.40	35.40	30.40	65.8	76.60	82.8	93.00	64.80	68.80	64.8	68.80	83.00	44.30	79.8	62.40	89990-8196 89990-8197 PK-78035-002

THIS DRAWING CONTAINS INFORMATION THAT IS PROPRIETARY TO MOLEX ELECTRONIC TECHNOLOGIES, LLC AND SHOULD NOT BE USED WITHOUT WRITTEN PERMISSION

DIMENSION UNITS mm	SCALE NTS	CURRENT REV DESC: REMOVED OBSOLETE PART NUMBER AS PER PCN#512063.		molex			
GENERAL TOLERANCES (UNLESS SPECIFIED)		EC NO: 713759					MINI DIMM, 0.60MM PITCH 200/244 CKTS, REV. ANGLE 22.5 DEG, SMT
		DRWN: SANTHN		2022/07/18			
		CHK'D: GB		2022/10/07			
		APPR: GB		2022/10/07			
		INITIAL REVISION:		DOCUMENT NUMBER			
		DRWN: YTYANG01		SD-78035-001		DOC TYPE	
		APPR: GGLEE		2005/08/12		DOC PART	
		ANGULAR TOL ± 1.0°		2005/08/25		REVISION	
DRAFT WHERE APPLICABLE MUST REMAIN WITHIN DIMENSIONS		THIRD ANGLE PROJECTION	DRAWING	SERIES	MATERIAL NUMBER	CUSTOMER	SHEET NUMBER
			A3-SIZE	78035	SEE TABLE	GENERAL MARKET	4 OF 4