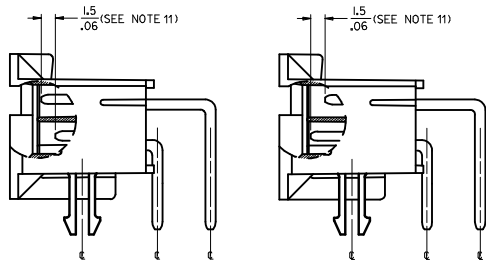
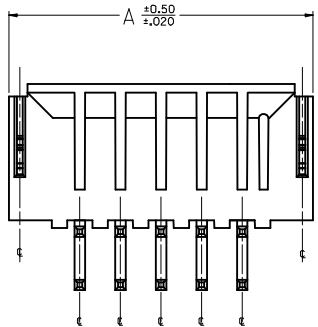


NOTES

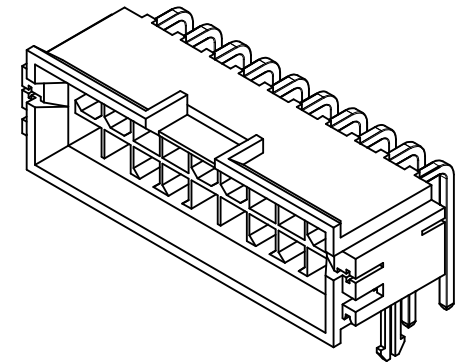
- 1) MATERIALS
HOUSING: NYLON 4/6 UL 94V-0 GLASS FILLED, COLOR: BLACK
TERMINAL: BRASS
BOARD RETENTION CLIP: BRASS
- 2) FINISHES:
TERMINAL:
1.= (0.00254)/.000100 MIN. MATTE TIN OVER
(0.00127)/.000050 MIN. NICKEL
2.= (0.00076)/.000030 MIN. SELECT GOLD AND
(0.00254)/.000100 MIN. SELECT MATTE TIN
OVER (0.00127)/.000050 MIN. NICKEL OVERALL
MOUNTING CLIP:
(0.00254)/.000100 MIN. MATTE TIN OVER
(0.00127)/.000050 MIN. NICKEL
- 3) PRODUCT SPECIFICATION: PS-43810-001
- 4) PACKAGING SPECIFICATION: PK-43810-001
- 5) PARTS MATES WITH MOLEX RECPACTACLE #5557, #42474, AND #44516 AND HEADER #42385
- 6) PART ALLOWS FOR (1.27)/.050 MAX MIS-ALIGNMENT WITH MATING HOUSINGS IN ANY DIRECTION
- 7) CONNECTOR ASSEMBLIES ARE NOT TO BE MATED AND UNMATED WHILE CIRCUITS ARE LIVE
- 8) PARTS ARE NOT DESIGNED FOR CURRENT SHARING
- 9) DISCOLORATION IN THE BANDOLIER CARRIER AREA OF THE PIN IS INHERENT TO THE PLATING PROCESS AND IS DUE TO THE MASKING EFFECT OF THE CARRIER. THIS DISCOLORATION IS IN A NON-FUNCTIONAL AREA OF THE PIN AND WILL NOT AFFECT THE PERFORMANCE OF THE HEADER ASSEMBLY.
- 10) PART CONFORMS TO CLASS "B" REQUIREMENTS OF COSMETIC SPECIFICATION PS-45499-002
- 11) CIRCUITS SHOWN PROVIDE MATE-FIRST/BREAK-LAST FEATURE, SEE CHART ON SHEET 2 FOR CIRCUIT LOCATIONS. FOR PRODUCT NOT REQUIRING MATE-FIRST/BREAK-LAST OPTIONS, SEE DRAWINGS SD-43810-011, -031, -051 AND -071.
- 12) CLIPS WILL APPEAR DIFFERENTLY ON ACTUAL PARTS DEPENDING ON PCB THICKNESS.

▲ FORMING MARKS ARE ACCEPTABLE.

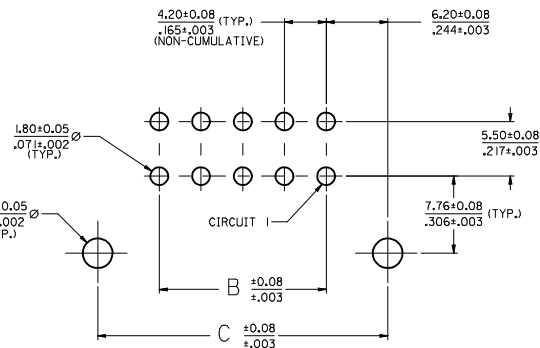


DETAIL A

HEADER ASSEMBLY WITH NO CLIP OPTION



20 CKT SHOWN



PCB LAYOUT, COMPONENT SIDE

SEE CHART ON SHEET 2 FOR RECOMMENDED NOMINAL PCB THICKNESS

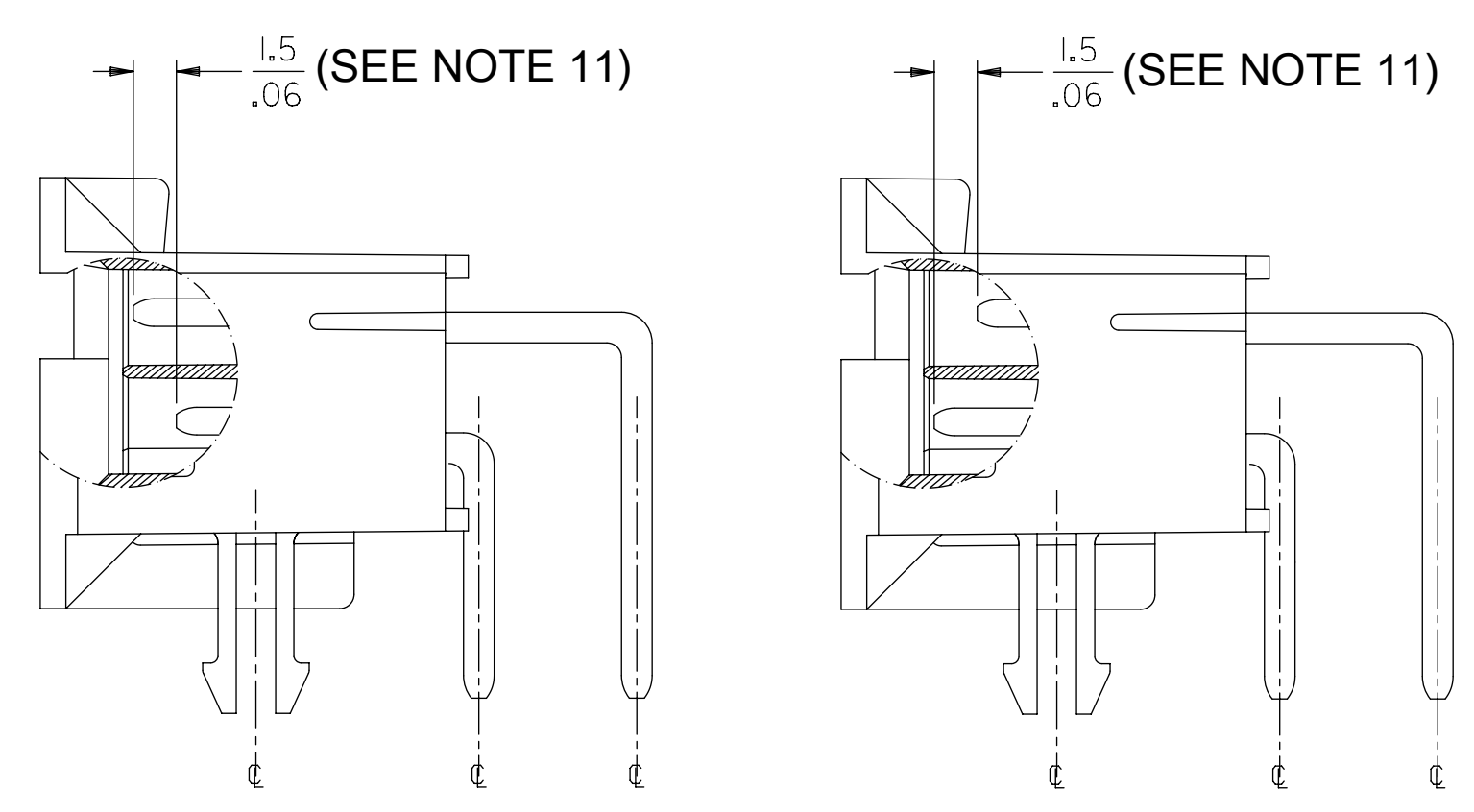
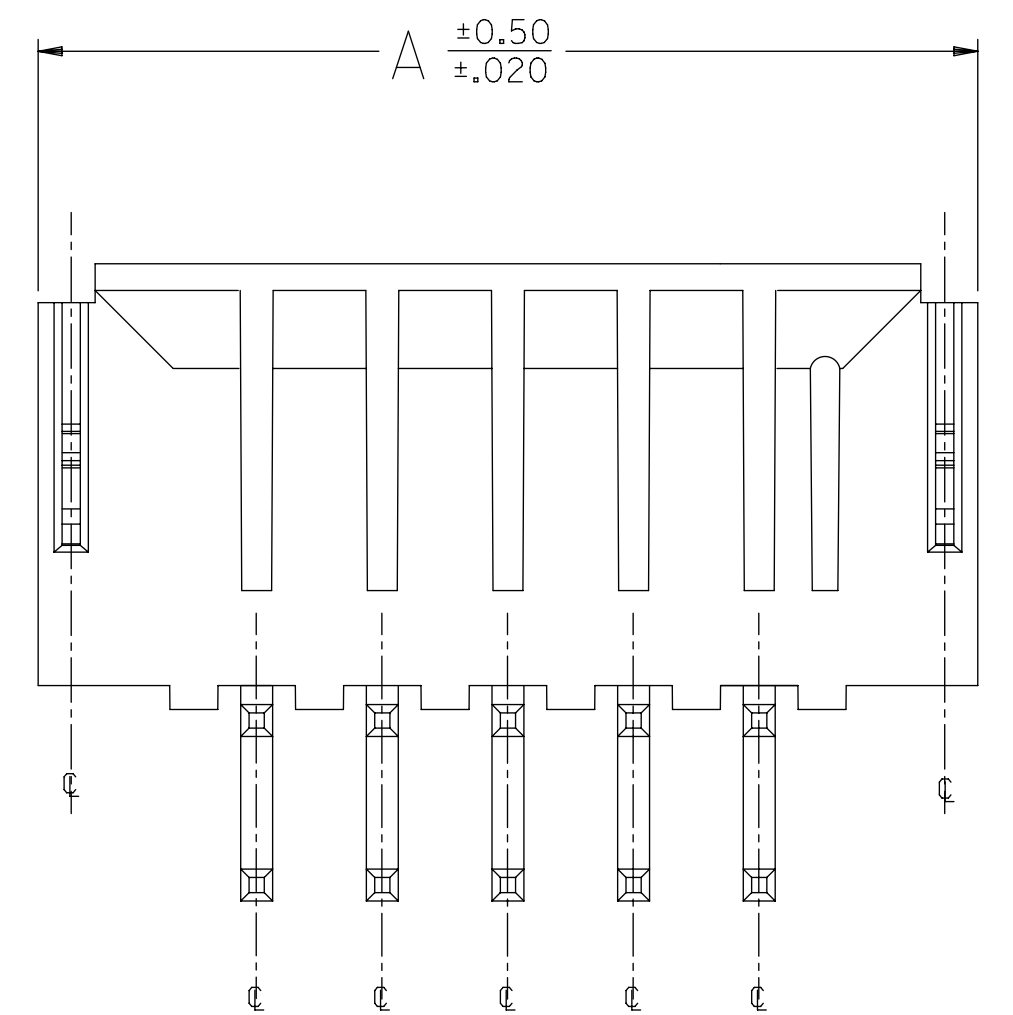
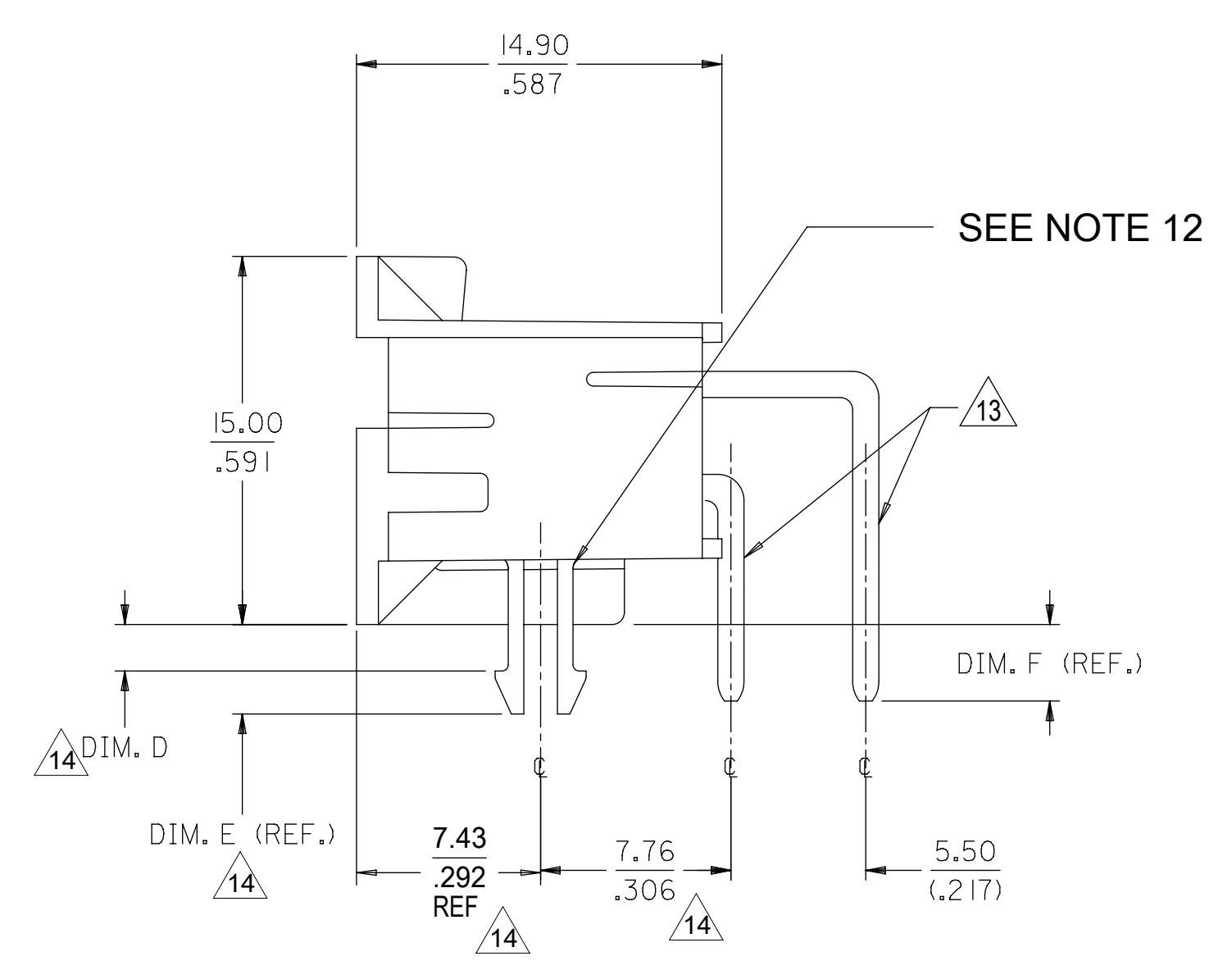
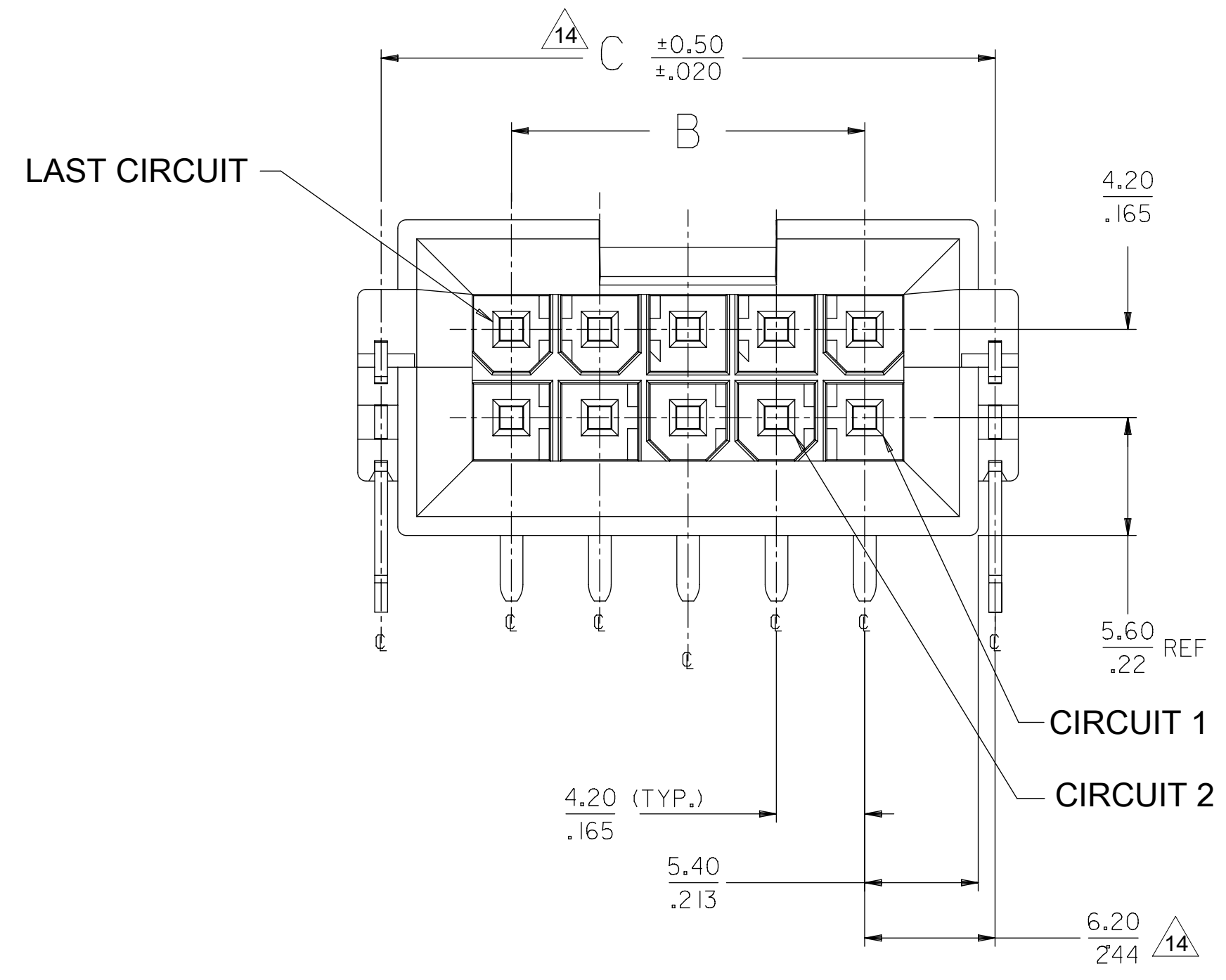
ADD 43810-1010 ELEC NO: UICP2014-2528 DRAWN BY: CHANDRAN GOVEN CHECKED BY: CHANDRAN BELL APPROVED BY: CHANDRAN BELL DATE: 2013/12/12 DATE: 2013/12/12 DATE: 2013/12/19	QUALITY SYMBOLS	GENERAL TOLERANCES (UNLESS SPECIFIED)	DIMENSION STYLE	SCALE	DESIGN UNITS	THIRD ANGLE PROJECTION
	▽=0	4 PLACES ±--- ±---	MM/IN	4:1	METRIC	☉
	▽=0	3 PLACES ±--- ±.010				
	▽=0	2 PLACES ±0.25 ±.015				
		1 PLACE ±0.38 ±---				
		0 PLACE ± ±				
		ANGULAR ±1/2°				
		DRAFT WHERE APPLICABLE MUST REMAIN WITHIN DIMENSIONS				
			MATERIAL NO.	DATE	DATE	TITLE
			SEE SHEET 2	1/5/2002	1/5/2002	MINI-FIT JR BMI RIGHT ANGLE HEADER ASSY. SELECT. LOADED, M-F/B-L
						molex
						DOCUMENT NO. SD-43810-080
						SHEET NO. 1 OF 2

PART NUMBER	CIRCUIT SIZE	CLIP OPTION	DIMENSIONS							PCB THICKNESS (REF.)	TERMINAL PIN TYPE REQUIRED AT EACH CIRCUIT LOCATION																							
			DIM. 'A'	DIM. 'B'	DIM. 'C'	DIM. 'D'	DIM. 'E'	DIM. 'F'	1		2	3	4	5	6	7	8	9	10	11	12	13	14	15	16	17	18	19	20	21	22	23	24	
43810-1002	24	YES	60.81 2.394	46.20 1.819	58.60 2.307	1.90 .075	3.65 .144	3.1 .12	1.60 .063	D	D	D	D	D	D	D	D	D	D	D	D	D	D	D	D	D	D	D	D	D	D	C	C	
43810-1006	24	YES	60.81 2.394	46.20 1.819	58.60 2.307	3.50 .138	5.25 .207	5.08 .200	3.18 .125	I	I	V	V	I	I	I	I	I	I	I	I	I	V	V	I	I	I	I	I	I	I	I		
43810-1008	10	YES	31.41 1.237	16.80 .661	29.20 1.150	2.71 .107	4.46 .176	3.1 .12	2.39 .094	A	B	A	A	A	A	B	A	A	A	-	-	-	-	-	-	-	-	-	-	-	-			
43810-1009	24	YES	60.81 2.394	46.20 1.819	58.60 2.307	2.71 .107	4.46 .176	3.6 .14	2.39 .094	L	L	L	L	L	L	L	L	L	L	L	L	L	L	L	L	L	L	L	L	L	L	L		
43810-1010	06	YES	23.01 .906	8.40 .331	20.80 .819	1.90 .075	3.65 .144	3.1 .12	1.60 .063	A	A	A	A	A	A	-	-	-	-	-	-	-	-	-	-	-	-	-	-	-	-			

TERMINAL PIN LEGEND			
PIN TYPE	FINISH (SEE NOTE 2)	MATING TYPE	DIM. 'F' (REF.)
A	I	STD.	3.1 .12
B	I	M-F-B-L	3.1 .12
C	2	STD.	3.1 .12
D	2	M-F-B-L	3.1 .12
E	I	STD.	3.94 .155
F	I	M-F-B-L	3.94 .155
G	2	STD.	3.94 .155
H	2	M-F-B-L	3.94 .155
I	2	STD.	5.08 .200
J	2	M-F-B-L	5.08 .200
K	I	STD.	3.6 .14
L	I	M-F-B-L	3.6 .14

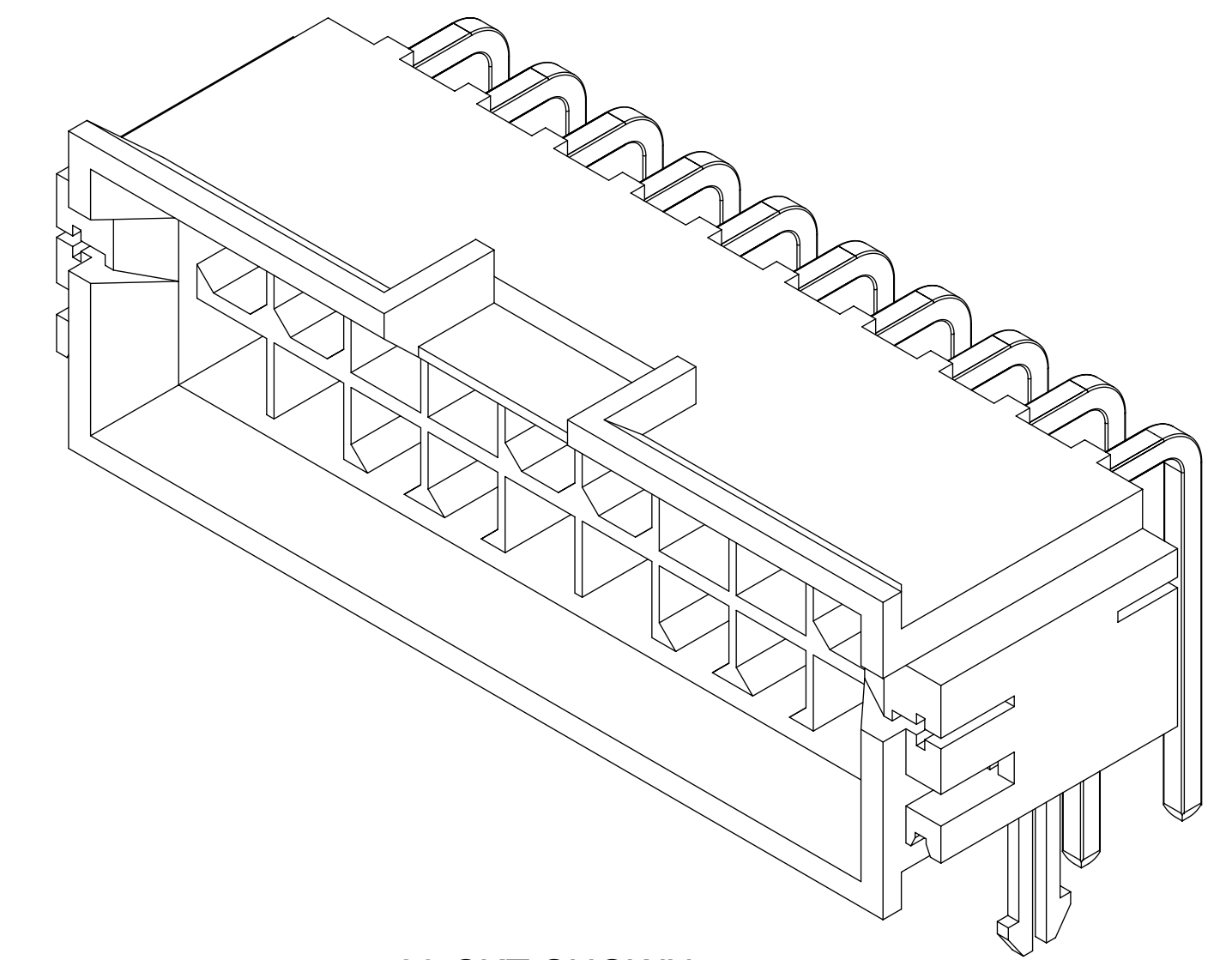
SEE SHEET 1 ELEC NO: UCP2014-2528 DRAWN BY: UJ CHKD: BEL APPR: FSMTH DATE: 2013/10/12 DATE: 2013/10/12 DATE: 2013/10/19	QUALITY SYMBOLS ▽=0 ▽=0 ▽=0	GENERAL TOLERANCES (UNLESS SPECIFIED) <table border="1"> <tr><th></th><th>mm</th><th>INCH</th></tr> <tr><td>4 PLACES</td><td>±.005</td><td>±.0005</td></tr> <tr><td>3 PLACES</td><td>±.010</td><td>±.0010</td></tr> <tr><td>2 PLACES</td><td>±.025</td><td>±.0025</td></tr> <tr><td>1 PLACE</td><td>±.038</td><td>±.0038</td></tr> <tr><td>0 PLACE</td><td>±</td><td>±</td></tr> </table>		mm	INCH	4 PLACES	±.005	±.0005	3 PLACES	±.010	±.0010	2 PLACES	±.025	±.0025	1 PLACE	±.038	±.0038	0 PLACE	±	±	DIMENSION STYLE MM/IN DRAWN BY: WANG CHECKED BY: BANDURA APPROVED BY: FSMTH DATE: 1/5/2002 DATE: 1/5/2002 DATE: 2012/01/19	SCALE 1:1	DESIGN UNITS METRIC	THIRD ANGLE PROJECTION	TITLE MINI-FIT JR BMI RIGHT ANGLE HEADER ASSY. SELECT. LOADED, M-F/B-L molex	MATERIAL NO. SEE CHART	DOCUMENT NO. SD-43810-080	SHEET NO. 2 OF 2
				mm	INCH																							
4 PLACES	±.005	±.0005																										
3 PLACES	±.010	±.0010																										
2 PLACES	±.025	±.0025																										
1 PLACE	±.038	±.0038																										
0 PLACE	±	±																										
ANGULAR ±1/2° DRAFT WHERE APPLICABLE MUST REMAIN WITHIN DIMENSIONS	THIS DRAWING CONTAINS INFORMATION THAT IS PROPRIETARY TO MOLEX INCORPORATED AND SHOULD NOT BE USED WITHOUT WRITTEN PERMISSION																											

19. frame_0_P_AM.T
Rev. G 2012/01/11

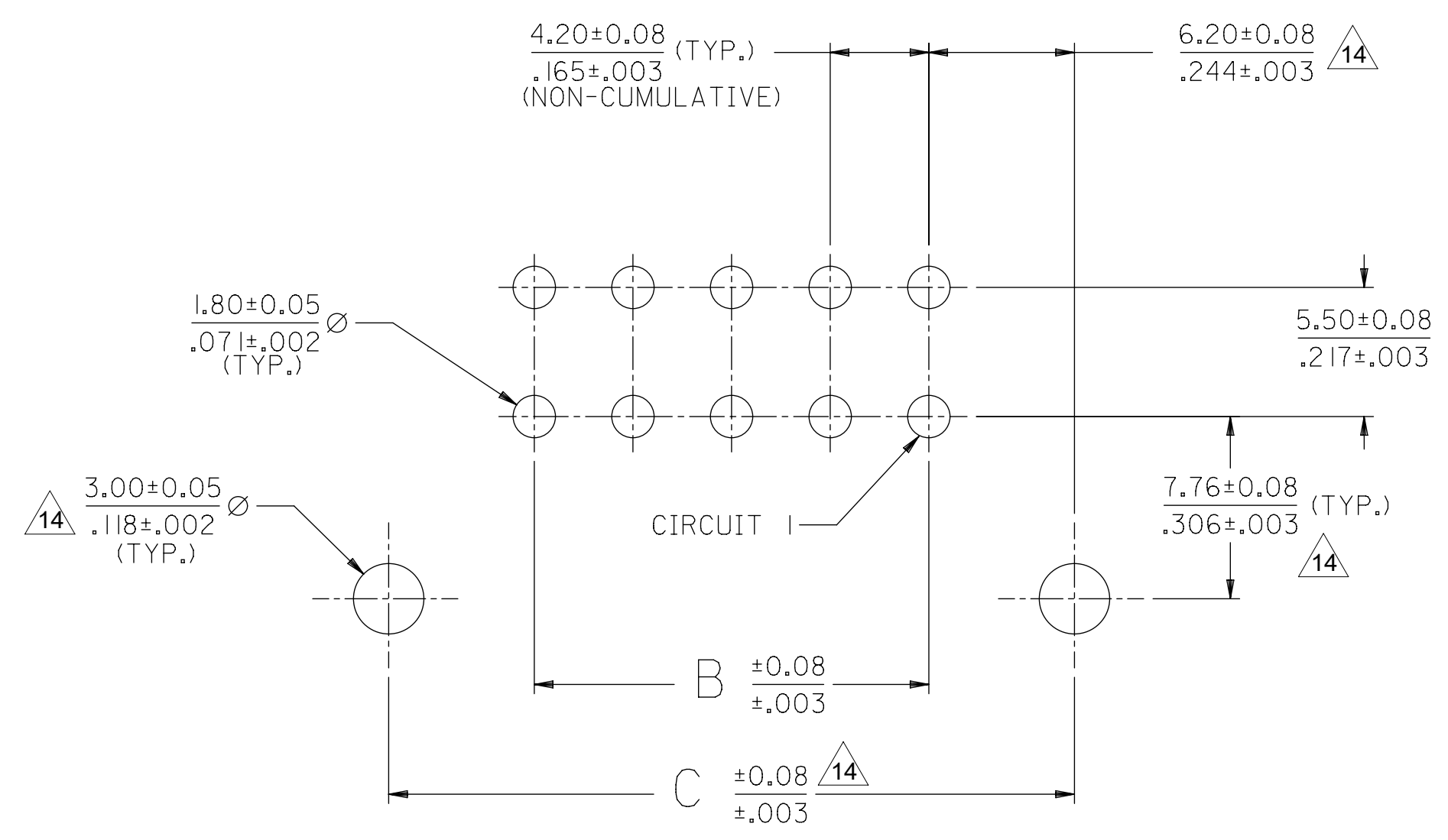


DETAIL A

HEADER ASSEMBLY WITH NO CLIP OPTION



20 CKT SHOWN



PCB LAYOUT: COMPONENT SIDE
SEE CHART ON SHEET 2 FOR RECOMMENDED NOMINAL PCB THICKNESS

- NOTES
- 1) MATERIALS
HOUSING: NYLON 4/6 UL 94V-0 GLASS FILLED, COLOR: BLACK
TERMINAL: BRASS
BOARD RETENTION CLIP: BRASS
 - 2) FINISHES:
TERMINAL:
1.=(0.00254)/.000100 MIN. MATTE TIN OVER (0.00127)/.000050 MIN. NICKEL
2.=(0.00076)/.000030 MIN. SELECT GOLD AND (0.00254)/.000100 MIN. SELECT MATTE TIN OVER (0.00127)/.000050 MIN. NICKEL OVERALL
MOUNTING CLIP:
(0.00254)/.000100 MIN. MATTE TIN OVER (0.00127)/.000050 MIN. NICKEL
 - 3) PRODUCT SPECIFICATION: PS-43810-001
 - 4) PACKAGING SPECIFICATION: PK-43810-001
 - 5) PARTS MATES WITH MOLEX RECPTACLE #5557, #42474, AND #44516 AND HEADER #42385
 - 6) PART ALLOWS FOR (1.27)/.050 MAX MIS-ALIGNMENT WITH MATING HOUSINGS IN ANY DIRECTION
 - 7) CONNECTOR ASSEMBLIES ARE NOT TO BE MATED AND UNMATED WHILE CIRCUITS ARE LIVE
 - 8) PARTS ARE NOT DESIGNED FOR CURRENT SHARING
 - 9) DISCOLORATION IN THE BANDOLIER CARRIER AREA OF THE PIN IS INHERENT TO THE PLATING PROCESS AND IS DUE TO THE MASKING EFFECT OF THE CARRIER. THIS DISCOLORATION IS IN A NON-FUNCTIONAL AREA OF THE PIN AND WILL NOT AFFECT THE PERFORMANCE OF THE HEADER ASSEMBLY.
 - 10) PART CONFORMS TO CLASS "B" REQUIREMENTS OF COSMETIC SPECIFICATION PS-45499-002
 - 11) CIRCUITS SHOWN PROVIDE MATE-FIRST/BREAK-LAST FEATURE, SEE CHART ON SHEET 2 FOR FOR CIRCUIT LOCATIONS. FOR PRODUCT NOT REQUIRING MATE-FIRST/BREAK-LAST OPTIONS, SEE DRAWINGS SD-43810-011, -031, -051 AND -071.
 - 12) CLIPS WILL APPEAR DIFFERENTLY ON ACTUAL PARTS DEPENDING ON PCB THICKNESS.
 - 13) FORMING MARKS ARE ACCEPTABLE.
 - 14) DIMENSION DOES NOT APPLY TO PARTS WITHOUT CLIP OPTION.
 - 15) TEXT ON PART IS FOR REFERENCE ONLY. TEXT AND TEXT LOCATION MAY VARY DEPENDING ON PART NUMBER AND/OR TOOL.

SYMBOLS										THIS DRAWING CONTAINS INFORMATION THAT IS PROPRIETARY TO MOLEX ELECTRONIC TECHNOLOGIES, LLC AND SHOULD NOT BE USED WITHOUT WRITTEN PERMISSION									
DIMENSION UNITS					SCALE					CURRENT REV DESC: ADD P/N 43810-1011									
= 0					MM/IN					4:1					<p>molex</p> <p>MINI-FIT JR BMI RIGHT ANGLE HEADER ASSY. SELECT. LOADED, M-F/B-L</p> <p>PRODUCT CUSTOMER DRAWING</p>				
GENERAL TOLERANCES (UNLESS SPECIFIED)										EC NO: 611087									
= 0					4 PLACES ±					DRWN: DSTEIER					2019/01/23				
= 0					3 PLACES ±					CHK'D: DSTEIER					2019/01/28				
= 0					2 PLACES ±					APPR: FSMITH					2019/01/28				
= 0					1 PLACE ±					INITIAL REVISION:					<p>DOCUMENT NUMBER</p> <p>SD-43810-080</p> <p>DOC TYPE DOC PART REVISION</p> <p>PSD 000 E6</p>				
= 0					0 PLACES ±					DRWN: WANG									
= 0					ANGULAR TOL ±					APPR: FSMITH					2012/01/19				
= 0					DRAFT WHERE APPLICABLE MUST REMAIN WITHIN DIMENSIONS					THIRD ANGLE PROJECTION					DRAWING SERIES				
= 0					D-SIZE					43810					MATERIAL NUMBER CUSTOMER SHEET NUMBER				
= 0					SEE CHART					GENERAL MARKET					1 OF 2				

PART NUMBER	CIRCUIT SIZE	CLIP OPTION	DIM. "A"	DIM. "B"	DIM. "C"	DIM. "D"	DIM. "E"	DIM. "F"	PCB THICKNESS (REF.)	TERMINAL PIN TYPE REQUIRED AT EACH CIRCUIT LOCATION								V = VOIDED CIRCUIT													
										1	2	3	4	5	6	7	8	9	10	11	12	13	14	15	16	17	18	19	20	21	22
43810-1002	24	YES	60.81 2.394	46.20 1.819	58.60 2.307	1.90 .075	3.65 .144	3.1 .12	1.60 .063	D	D	D	D	D	D	D	D	D	D	D	D	D	D	D	D	D	D	D	D	C	C
43810-1006	24	YES	60.81 2.394	46.20 1.819	58.60 2.307	3.50 .138	5.25 .207	5.08 .200	3.18 .125	I	I	V	V	I	I	I	I	I	I	I	I	I	V	V	I	I	I	I	I	I	I
43810-1008	10	YES	31.41 1.237	16.80 .661	29.20 1.150	2.71 .107	4.46 .176	3.1 .12	2.39 .094	A	B	A	A	A	A	B	A	A	A	-	-	-	-	-	-	-	-	-	-	-	-
43810-1009	24	YES	60.81 2.394	46.20 1.819	58.60 2.307	2.71 .107	4.46 .176	3.6 .14	2.39 .094	L	L	L	L	L	L	L	L	L	L	L	L	L	L	L	L	L	L	L	L	L	L
43810-1010	06	YES	23.01 .906	8.40 .331	20.80 .819	1.90 .075	3.65 .144	3.1 .12	1.60 .063	A	A	A	A	A	A	-	-	-	-	-	-	-	-	-	-	-	-	-	-	-	-
43810-1011	10	YES	31.41 1.237	16.80 .661	29.20 1.150	3.50 .138	5.25 .207	5.08 .200	3.81 .125	I	I	I	J	I	I	J	I	I	I	-	-	-	-	-	-	-	-	-	-	-	-

TERMINAL PIN LEGEND			
PIN TYPE	FINISH (SEE NOTE 2)	MATING TYPE	DIM. "F" (REF.)
A	I	STD.	3.1 .12
B	I	M-F-B-L	3.1 .12
C	2	STD.	3.1 .12
D	2	M-F-B-L	3.1 .12
E	I	STD.	3.94 .155
F	I	M-F-B-L	3.94 .155
G	2	STD.	3.94 .155
H	2	M-F-B-L	3.94 .155
I	2	STD.	5.08 .200
J	2	M-F-B-L	5.08 .200
K	I	STD.	3.6 .14
L	I	M-F-B-L	3.6 .14

SYMBOLS	THIS DRAWING CONTAINS INFORMATION THAT IS PROPRIETARY TO MOLEX ELECTRONIC TECHNOLOGIES, LLC AND SHOULD NOT BE USED WITHOUT WRITTEN PERMISSION		
	DIMENSION UNITS	SCALE	CURRENT REV DESC: ADD P/N 43810-1011
▽ = 0	MM/IN	1:1	molex MINI-FIT JR BMI RIGHT ANGLE HEADER ASSY. SELECT. LOADED, M-F/B-L
▽ = 0	GENERAL TOLERANCES (UNLESS SPECIFIED)		
▽ = 0		MM	INCH
▽ = 0	4 PLACES ±	±	EC NO: 611087
▽ = 0	3 PLACES ±	± 0.01	DRWN: DSTEIER 2019/01/23
▽ = 0	2 PLACES ±	± 0.015	CHK'D: DSTEIER 2019/01/28
▽ = 0	1 PLACE ±	± 0.38	APPR: FSMITH 2019/01/28
▽ = 0	0 PLACES ±	±	INITIAL REVISION:
⊠ = 0	ANGULAR TOL ± 0.5 °		DRWN: WANG 2002/1/5
■ = 0	DRAFT WHERE APPLICABLE MUST REMAIN WITHIN DIMENSIONS		APPR: FSMITH 2012/01/19
▽ = 0	THIRD ANGLE PROJECTION	DRAWING	SERIES
		D-SIZE	43810
		MATERIAL NUMBER	CUSTOMER
		SEE CHART	GENERAL MARKET
		DOCUMENT NUMBER	DOC TYPE
		SD-43810-080	PSD
		DOC PART	000
		REVISION	E6
		SHEET NUMBER	2 OF 2