

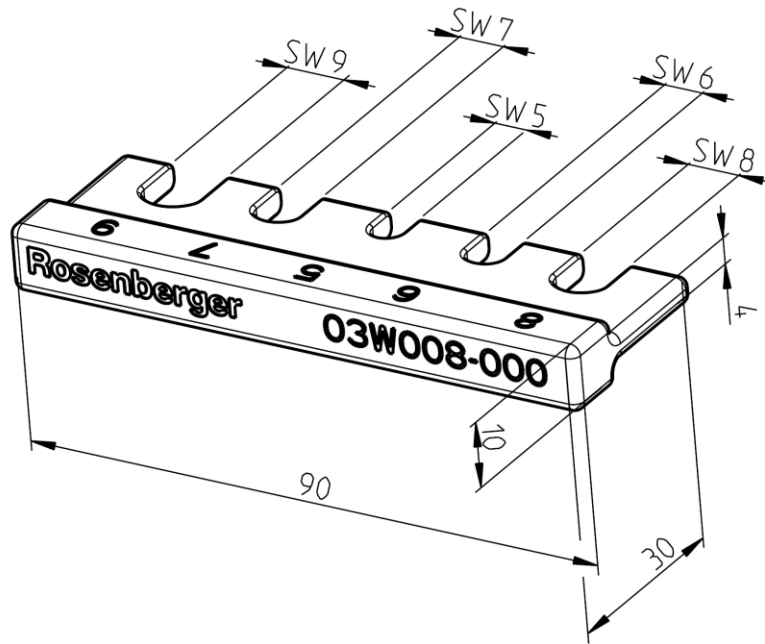
Technical Data Sheet

Rosenberger

RPC-3.50 RPC-2.92
 RPC-2.40 RPC-1.85
 RPC-1.35

combi wrench

03W008-000



All dimensions are in mm; tolerances according to ISO 2768 m-H

Material and plating

Parts

Body

Material

PEEK

Mechanical data

Width across flats

5 mm, 6 mm, 7 mm, 8 mm, 9 mm

Packing

Standard

1 pce in box

Weight

19.0 g/pce

While the information has been carefully compiled to the best of our knowledge, nothing is intended as representation or warranty on our part and no statement herein shall be construed as recommendation to infringe existing patents. In the effort to improve our products, we reserve the right to make changes judged to be necessary.

Draft	Date	Approved	Date	Rev.	Engineering change number	Name	Date
O. Krautenbacher	14.04.14	Florian Reiner	22.02.19	b00	19-0337	N. Topcagic	22.02.19

Rosenberger Hochfrequenztechnik GmbH & Co. KG P.O.Box 1260 D-84526 Tittmoning Germany www.rosenberger.de	Tel. : +49 8684 18-0 Fax : +49 8684 18-499 Email : info@rosenberger.de	Page 1 / 1
--	---	---------------