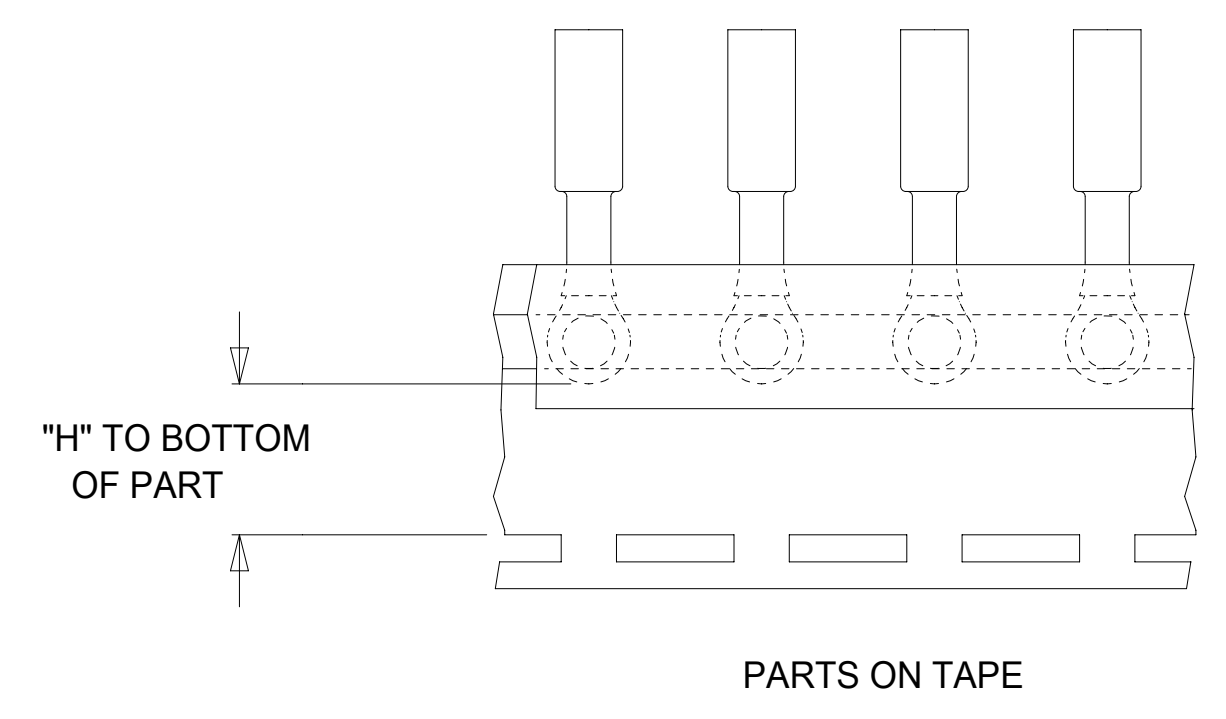
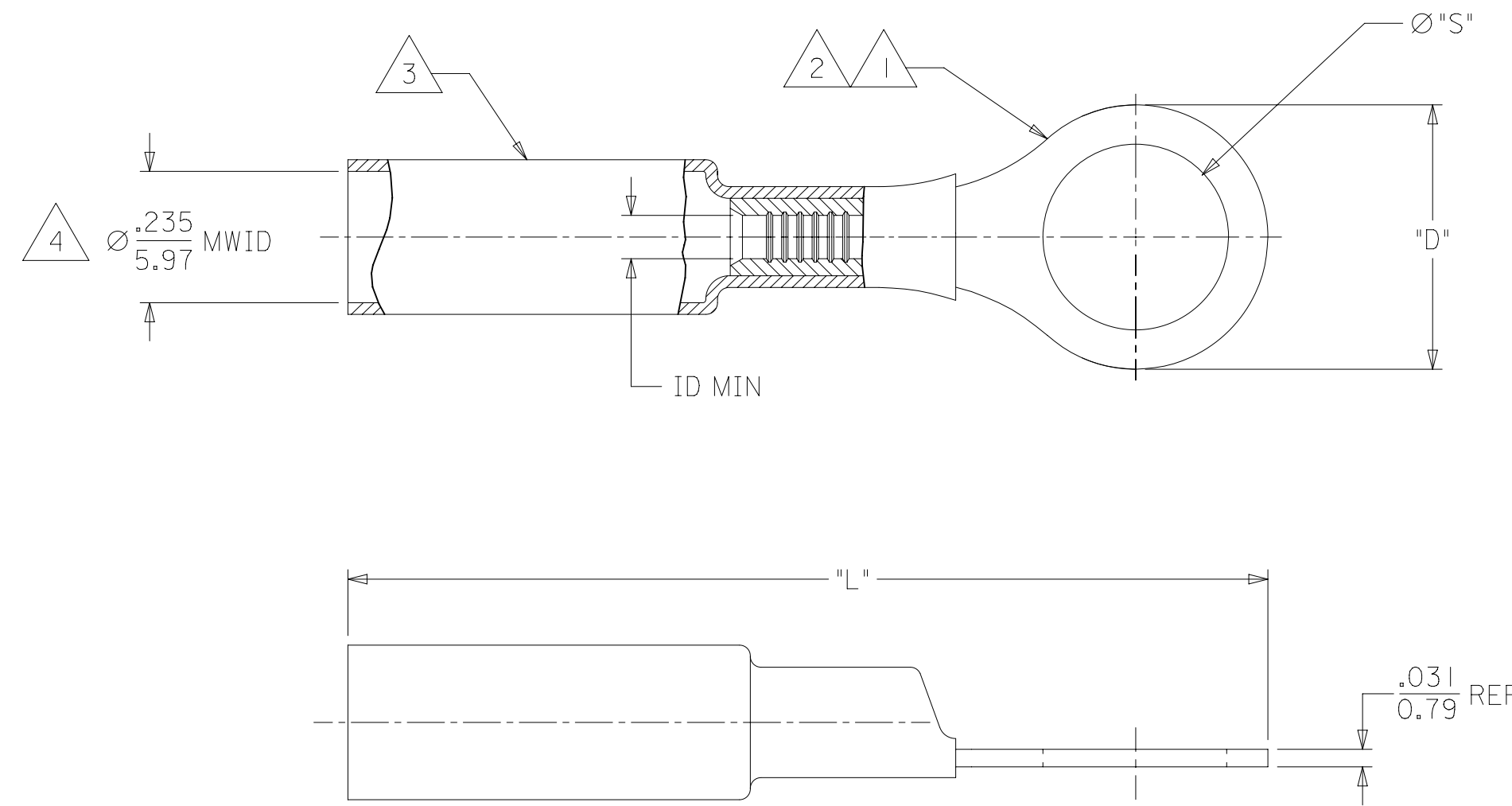


MAT'L NO.	ENG NO.	MAT'L NO. (TAPE)	ENG NO. (TAPE)	STUD SIZE	"S" ±.005 (0.03)	"D" MAX	"H" REF	"L" MAX	ID MIN
191640031	SB-237-04	-----	-----	#4	.119/3.02	.320/8.17	-----	1.45/36.8	.082/2.08
191640032	SB-237-06	191640310	SB-237-06T	#6	.146/3.71	.320/8.17	.545/13.84	1.45/36.8	.082/2.08
191640033	SB-237-08	191640311	SB-237-08T	#8	.173/4.39	.320/8.17	.545/13.84	1.45/36.8	.082/2.08
191640034	SB-237-10	191640312	SB-237-10T	#10	.198/5.03	.320/8.17	.545/13.84	1.45/36.8	.082/2.08
191640025	SB-225-10	-----	-----	#10	.198/5.03	.475/12.07	-----	1.63/41.4	.082/2.08
191640026	SB-225-14	191640308	SB-225-14T	1/4	.265/6.73	.475/12.07	.363/9.22	1.63/41.4	.082/2.08
191640027	SB-225-56	191640309	SB-225-56T	5/16	.328/8.33	.475/12.07	.363/9.22	1.63/41.4	.082/2.08
191640020	SB-218-38	191640307	SB-218-38T	3/8	.390/9.91	.544/13.82	.340/8.64	1.68/42.67	.082/2.08
191640022	SB-223-06	---	---	#6	.146/3.71	.255/6.48	---	1.26/32.0	.082/2.08



- NOTE(S):
- 1 TERMINAL MATERIAL: COPPER ALLOY
 - 2 FINISH: ELECTRO TIN PLATE.
 - 3 INSULATION MATERIAL: HEAT SHRINKABLE TUBING WITH HOTMELT ADHESIVE INNER LINER. COLOR: BLUE
 - 4 MWID = MAXIMUM WIRE UNSULATION DIAMETER.
 - 5. PARTS ARE RoHS COMPLIANT.

FUNCTIONAL SYMBOLS	THIS DRAWING CONTAINS INFORMATION THAT IS PROPRIETARY TO MOLEX ELECTRONIC TECHNOLOGIES, LLC AND SHOULD NOT BE USED WITHOUT WRITTEN PERMISSION									
	DIMENSION UNITS		SCALE		CURRENT REV DESC: ENG PN#: SB-237-** "H" REF DIM .545 WAS .527 & SB-225-** "H" REF DIM .363 WAS .338					
$\frac{F}{A} = 0$	IN/MM		NTS			GENERAL TOLERANCES (UNLESS SPECIFIED)				
$\frac{F}{C} = 0$										
$\frac{F}{P} = 0$						EC NO: 692404				
DIVISIONAL SYMBOLS	4 PLACES		±		±		DRWN: DMYRICK			2022/01/17
	3 PLACES		±		±		CHK'D: JMACNEIL			2022/01/17
	2 PLACES		±		±		APPR: JMACNEIL			2022/01/17
	1 PLACE		±		±		INITIAL REVISION:			
	0 PLACES		±		±		DRWN:			
ANGULAR TOL		±		°		APPR:				
DRAFT WHERE APPLICABLE MUST REMAIN WITHIN DIMENSIONS			THIRD ANGLE PROJECTION		DRAWING		SERIES		DOCUMENT NUMBER	
					C-SIZE		19164		SD-19164-026	
									DOC TYPE DOC PART REVISION	
									PSD 001 C5	
									MATERIAL NUMBER CUSTOMER SHEET NUMBER	
									SEE CHART GENERAL MARKET 1 OF 1	