

Ultralift TP Magnetic Lifter

Designed for Thin Plate Lifting

Datasheet no. 303

Why Thin Plate Magnetic Lifter?

Thin plate cannot accept the magnetism from standard lifting magnets.

Using standard magnetic lifter on thin plate results in:

- Dramatically reduced performance
- Picking up sheets in multiples rather than separately Un-safe lifts

Ultralift TP offers:

- A lifting magnet designed for lifting thin plate safely
- SWL based on material thickness
- Guaranteed lifting of single plates
- Simple, quick operation
- Two sizes in the range: TP150 and TP300.
- Larger plates can be lifted using two lifting magnets on a spreader beam



Spreader Beams

Eclipse Magnetics supply a range of spreader beams. These ensure safe lifts are made at all times on longer products. We also produce equipment for tilting the load through 90 degrees.

OPERATING INSTRUCTIONS



The lifter is in the OFF position



To Switch the lifter ON

Rotate the handle 120° anti-clockwise. Ensure the lever is securely locked in place before commencing with the lift.



The lifter is in the ON position

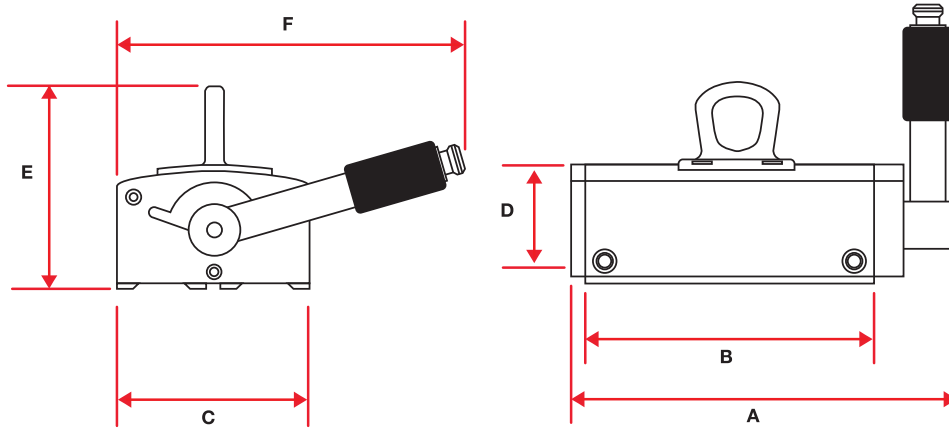


To Switch the lifter OFF

Return the load to the floor or support. Depress the plunger on the handle and rotate 120° clockwise to its stop position.



Release the plunger to complete the switching process



Product Information

| Product | Unit Weight kg | Material Thickness | | | | | | | | Dimensions mm | | | | | |
|---------|-------------------|-------------------------|-------------------|-------------------------|-------------------|-------------------------|-------------------|-------------------------|-------------------|------------------|-----|-----|----|-----|-----|
| | | 5mm | | 6mm | | 8mm | | 10mm | | A | B | C | D | E | F |
| | | Safe Working Load kg | Length Max. mm | Safe Working Load kg | Length Max. mm | Safe Working Load kg | Length Max. mm | Safe Working Load kg | Length Max. mm | | | | | | |
| TP150 | 8 | 75 | 1500 | 100 | 1500 | 150 | 1500 | 200 | 1500 | 202 | 150 | 100 | 74 | 126 | 181 |
| TP300 | 15 | 150 | 2000 | 200 | 2000 | 300 | 2000 | 400 | 2000 | 352 | 300 | 100 | 74 | 126 | 181 |

If you have any more questions, require technical assistance or would like a quotation, please contact us.

www.eclipsemagnetics.com

Eclipse Magnetics Ltd, Atlas Way, Sheffield, S4 7QQ, England

T +44 (0)114 225 0600 F +44 (0)114 225 0525 E info@eclipsemagnetics.com W www.eclipsemagnetics.com

While every effort has been made to ensure the accuracy of the information in this publication please note that specifications may change without notice.



EM1226