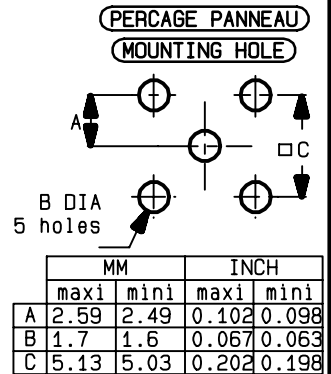
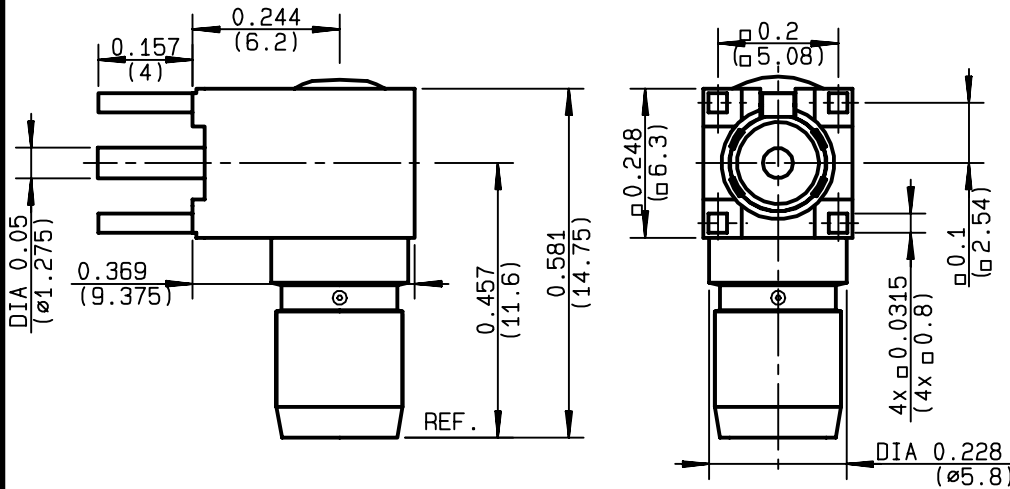


**RIGHT ANGLE RECEPTACLE FOR PCB  
SOLDER LEGS - PACK.100**

**R128.665.820**  
**SERIES BMA COM**



NOMINAL IMPEDANCE	<b>50</b> Ω
FREQUENCY RANGE	<b>0-22</b> GHz
TEMPERATURE RATING	<b>-65/+125</b> °C
V.S.W.R	<b>1.25*</b> + <b>0</b> x F(GHz)Maxi
RF INSERTION LOSS	<b>0.08</b> √F(GHz) dB Maxi
VOLTAGE RATING	<b>350</b> Veff Maxi
DIELECTRIC WITHSTANDING VOLTAGE	<b>1000</b> Veff Mini
INSULATION RESISTANCE	<b>5000</b> MΩMini
HERMETIC SEAL	<b>NA</b> Atm.cm <sup>3</sup> /s
LEAKAGE (pressurized only)	<b>NA</b>
MECHANICAL DURABILITY	<b>500</b> Cycles
WEIGHT	<b>3.15</b> gr
SPECIFICATION	

CABLES :	
OTHERS CHARACTERISTICS	
	<b>* de 0 -10 Ghz</b>
CABLE RETENTION	<b>NA</b> N Mini
CENTER CONTACT RETENTION	
Axial force - mating end	<b>18</b> N Mini
Axial force - opposite end	<b>18</b> N Mini
Torque	<b>NA</b> cm.N Mini
RECOMMENDED TORQUES	
Mating	<b>NA</b> cm.N
Panel nut	<b>NA</b> cm.N
Clamp nut	<b>NA</b> cm.N

CONNECTOR PARTS:	MATERIALS	FINISH	(all values are given in micrometers)
BODY	BRASS	GOLD 0.2 OVER NICKEL 2	
OUTER CONTACT			
CENTER CONTACT	BRASS	GOLD 1.3 OVER COPPER 2	
INSULATOR	PTFE	-	
GASKET		-	
OTHERS PIECES	BRASS	GOLD 0.2 OVER NICKEL 2	

ISSUE	CREATION DATE	FILE PART-NUMBER
<b>9926A00</b>	<b>23/06/1997</b>	<b>EPC96-06</b>



BAFFERT

The information given here is subject to change without notice.  
Design changes may be in order to improve the product .

*Connect to the future*